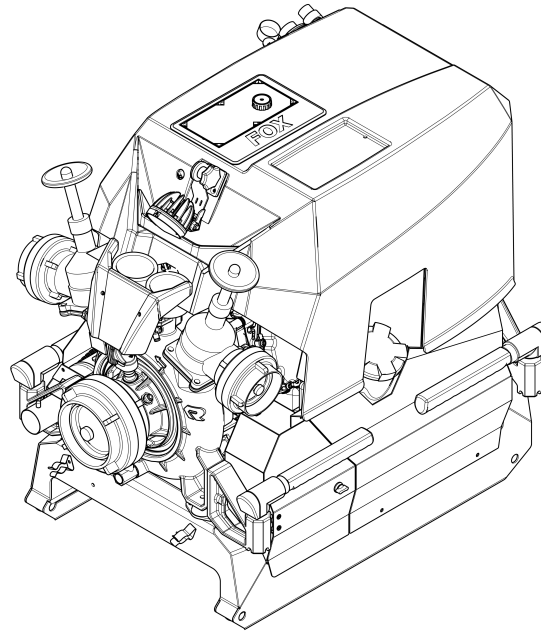


Spare Parts List



FOX (4. Generation) Portable fire pump

Release: 04, 08/2019 (Art. Nr. 12084A-003)

 **rosenbauer**

General

Technical Information

The information, illustrations and data contained in this spare parts list are in accordance with the position as per date of publication. Our products are constantly improved in the course of technical development.

We reserve the right, to perform appropriate changes and improvements. From data, graphics and description within this manual, no demands on modification to already delivered products could be made.

Imprint

Copyright © Rosenbauer International AG, Paschingerstraße 90, 4060 Leonding, Austria

This document is for the personal use of the recipient only. No part of this document may be reproduced or transmitted in any form or by any means (electronic or mechanical), including photocopying and recording, or by any information storage or retrieval system, or translation into other languages, except as may be expressly permitted in writing by the publisher.

All rights to this spare parts list and their attachment are reserved by Rosenbauer International AG.

Rosenbauer reserves the right to make modifications anytime and without previous announcement.

Introduction

General

Manufacturer and After Sales Service Address

Rosenbauer International AG
Paschinger Straße 90
4060 Leonding, Austria

Telephone number: +43 732 6794 - 0

Telefax number.: +43 732 6794 - 312

E-Mail: service@rosenbauer.com

Internet: www.rosenbauer.com

For more information, kindly contact the customer service of Rosenbauer or one of our representatives around the world who are available whenever they are required.

Illustrations

The descriptive pictures shown in the spare parts list can differ from the actual version of the spare part.

All illustrations, dimensions and data in the spare parts list are non-committal.

Introduction

General

Spare Parts

The use of spare parts and accessories not provided, tested and released as originals by Rosenbauer can have a negative effect on design-related characteristics and thus impair operational safety.

For your own safety, use only spare parts and accessories from Rosenbauer. Use of other products and resultant injury, Rosenbauer assumes no liability.

Spare Parts of purchased Parts

For spare parts of purchased parts, please refer to the spare parts list issued by the manufacturer.

Special equipment

The spare parts list also contains descriptions of special equipment and additional equipment not forming part of the normal scope of delivery. The scope of delivery is always determined by your order. The equipment and furnishings for your product may therefore partially deviate from the descriptions or illustrations.

If your product should be fitted with furnishings not shown or described in this spare parts list, then please contact the customer service of Rosenbauer or one of our representatives around the world who are available whenever they are required.

Introduction

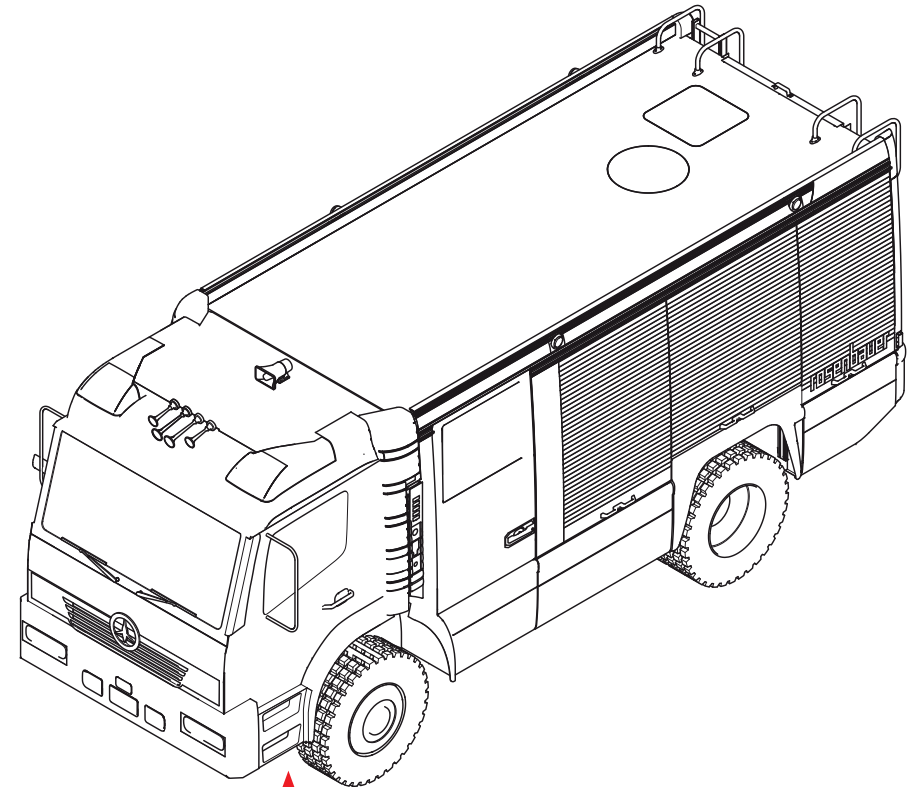
How to order spare parts?



IMPORTANT !

When ordering spare parts for vehicles or components, it is important to indicate the order number, chassis number or serial number of the component!

The chassis identification plate is located at the right or left cabin entrance. The pump identification plate is located in the pump compartment!



FAHRZEUGTYPE
VEHICLE TYPE

BAUJAHR
YEAR OF CONSTR.

FAHRGESTELL
CHASSIS

MOTOR
ENGINE

AUFBAU
SUPERSTRUCTURE

Hersteller
Manufacturer
Nr./No.

Hersteller
Manufacturer
Nr./No.

Hersteller
Manufacturer
Nr./No.



Rosenbauer International
Aktiengesellschaft

Feuerwehrtechnik
Fire Fighting Technology

A-4060 Leonding, Paschinger Str.90
Austria 085165-001

How to order spare parts?

When ordering spare parts, please observe the following points:

- 1 Order number
- 2 Pump number
- 3 Assembly group
- 4 Table/Item number
- 5 Description
- 6 Article number
- 7 Quantity

Example for a correct spare parts order:

- 1 X2K0011
- 2 KR235L00098
- 3 Pump NH 30
- 4 Table 3/Item number 10
- 5 Pump casing, LM
- 6 085124-001
- 7 Quantity 1 pc.

How to order spare parts?

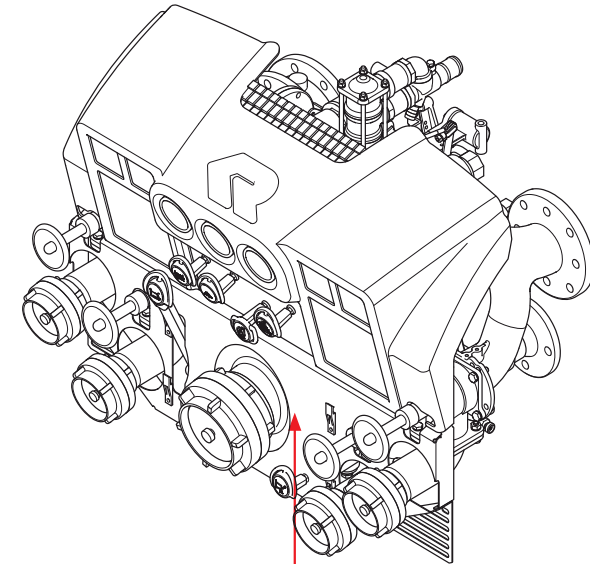


IMPORTANT !

When ordering spare parts for pumps, it is very important to indicate the pump number. This number enables us to find the pump type.

The pump number ist stamped sidewise on the suction cover!

KR266L00001



How to order spare parts?

When ordering spare parts, please observe the following points:

- 1 Pump number
- 2 Assembly group
- 3 Table/Item number
- 4 Description
- 5 Article number
- 6 Quantity

Example for a correct spare parts order:

- 1 KR266L00001
- 2 Pump NH 35
- 3 Table 1/Item number 160
- 4 Impeller NH35 left, LM
- 5 531296-001
- 6 Quantity 1 pc.

Abbreviations

A2, A4	Stainless steel
AL	Aluminium
C (A-B)	Complete (consisting of items A - B)
D	Part included in gasket kit
L	Length (mm)
L = (*)	Please indicate length you need (mm)
LM	Light alloy
Ms	Brass
na	not shown
n.B.	optional
R	Part included in repair kit
RG	Gunmetal
S	Thickness of material (mm)
ST	Steel
vc	chromed
vz	steel galvanized
x	Price on request
(o-)	only used in connection with item
*	References, remarks
∅	Diameter (mm)
RI	clockwise turn
LI	counter clockwise turn

Introduction

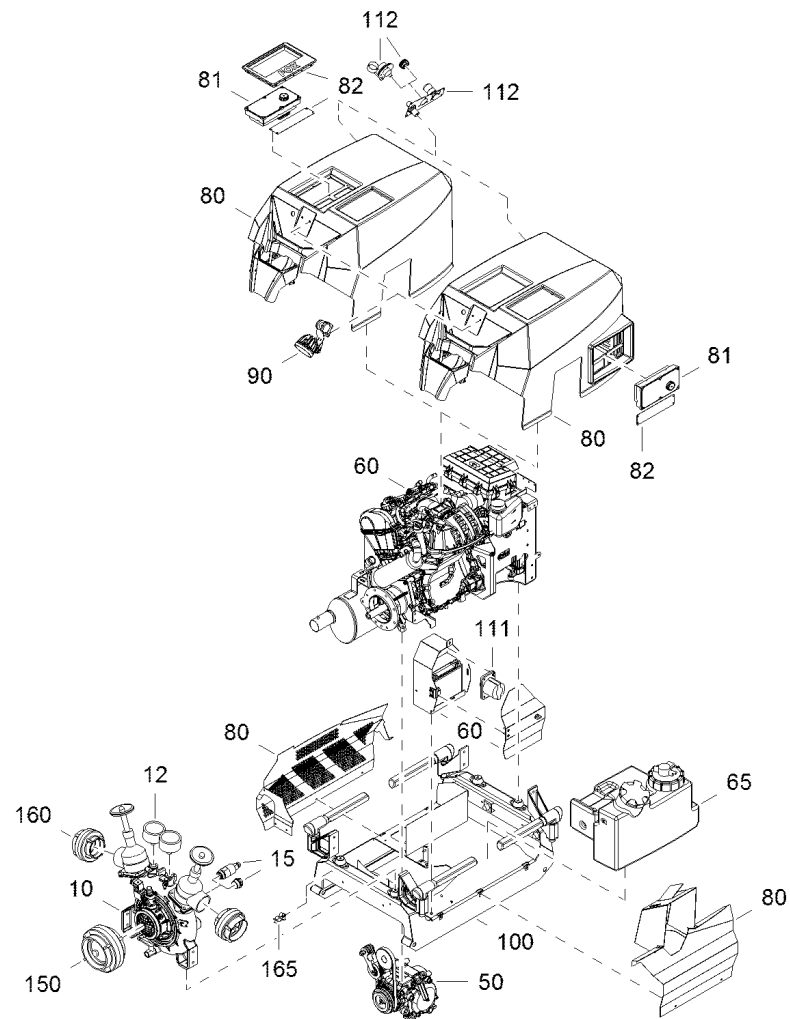
Table of Contents

Portable fire pump FOX 4.....	12
Pump part FOX 4.....	15
Pump part.....	18
Pressure valve.....	20
Manometer TS-FOX.....	22
Manometer TS-FOX.....	24
Manometer TS-FOX.....	25
Overheating protection.....	26
Overheating valve.....	28
Suction device.....	30
Piston priming pump with counterbalance weight.....	32
Priming pump 210E.....	36
Tension roller.....	40
Motor and accessories.....	42
Fixing parts for motor.....	44
Exhaust system.....	46
Fixing parts for battery bracket.....	47
Air filter box.....	50
Cooling system.....	51
Fuel tank for High End control.....	54
Cover hood.....	56
Control High End.....	60
Electronic parts.....	62
5 keyboard.....	63
Lighting.....	65
Seachlight bracket to serial number 250.....	68
Seachlight bracket from serial number 251.....	70
Supporting frame without lightform exterior.....	72
Handle.....	75
Lightform exterior.....	77
Socket NATO.....	78
Socket.....	80
Fire CAN.....	82

Table of Contents

Socket DIN	86
Magcode socket	87
Coupling system (G4½AG).....	88
Coupling system (G4½AG).....	89
Bracket for coupling spanner.....	90
Accessories for standard/language	92
Tool kit FOX 4.....	93
Service kit for FOX 4	95
RLS Preparation	97
Bracket for RLS Headlight.....	99
Transport wheel complete	101
Pressure regulator w. inlet pressure control	103
Foam proportioner for Fox pump.....	104
Foam proportioner for Fox pump mounting	106

FOX (4. Generation)

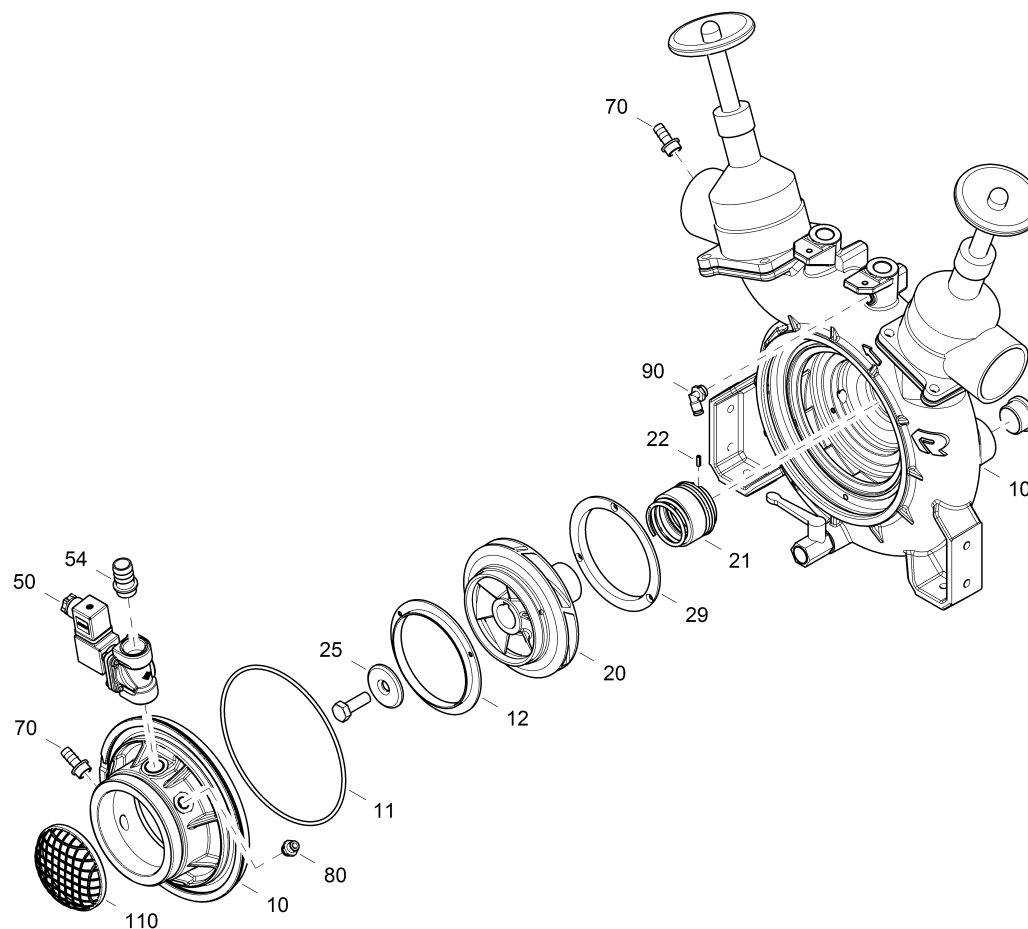


FOX (4. Generation)

Item no.	Description	Remark	Article no.	Qty.	EUR/UNIT
10	<u>Pump part FOX 4</u>		855848-003	1	
12	<u>Manometer TS-FOX</u>		534498-001	1	
12	<u>Manometer TS-FOX</u>		534498-002	1	
12	<u>Manometer TS-FOX</u>		534498-003	1	
15	<u>Overheating protection</u>		531261-	1	
20na	Pressure controller		978370-001	1	
20na	Elimination pressure controller		978370-002	1	
50	<u>Suction device</u>		892659-001	1	
60	<u>Motor and accessories</u>		855925-001	1	
65	<u>Fuel tank for High End control</u>		891510-001	1	
80	<u>Cover hood</u>		891735-	1	
81	<u>Control High End</u>		899033-001	1	
82	<u>5 keyboard</u>		899034-002	1	
90	<u>Lighting</u>		892663-	1	
100	<u>Supporting frame without lightform exterior</u>		892661-001	1	
110	<u>Lightform exterior</u>		892661-002	1	
111	<u>Socket NATO</u>		021876-	1	
112	<u>Fire CAN</u>		899035-	1	
150	<u>Coupling system (G4½AG)</u>		534354-	1	
160	<u>Coupling system (G4½AG)</u>		534355-	2	
165	<u>Bracket for coupling spanner</u>		855927-001	1	
170na	<u>Accessories for standard/language</u>		892665-	1	
1000na	<u>Tool kit FOX 4</u>	Optionally	899049-002	1	
1100na	<u>Service kit for FOX 4</u>	Optionally	856016-016	1	
1200	<u>RLS Preparation</u>		01527A-001	1	
1300	<u>Transport wheel complete</u>		045795-006	1	

FOX (4. Generation)

Item no.	Description	Remark	Article no.	Qty.	EUR/UNIT
1400	<u>Pressure regulator w. inlet pressure control</u>		978370-001	1	
1500	<u>Foam proportioner for Fox pump</u>		18765A-001	1	

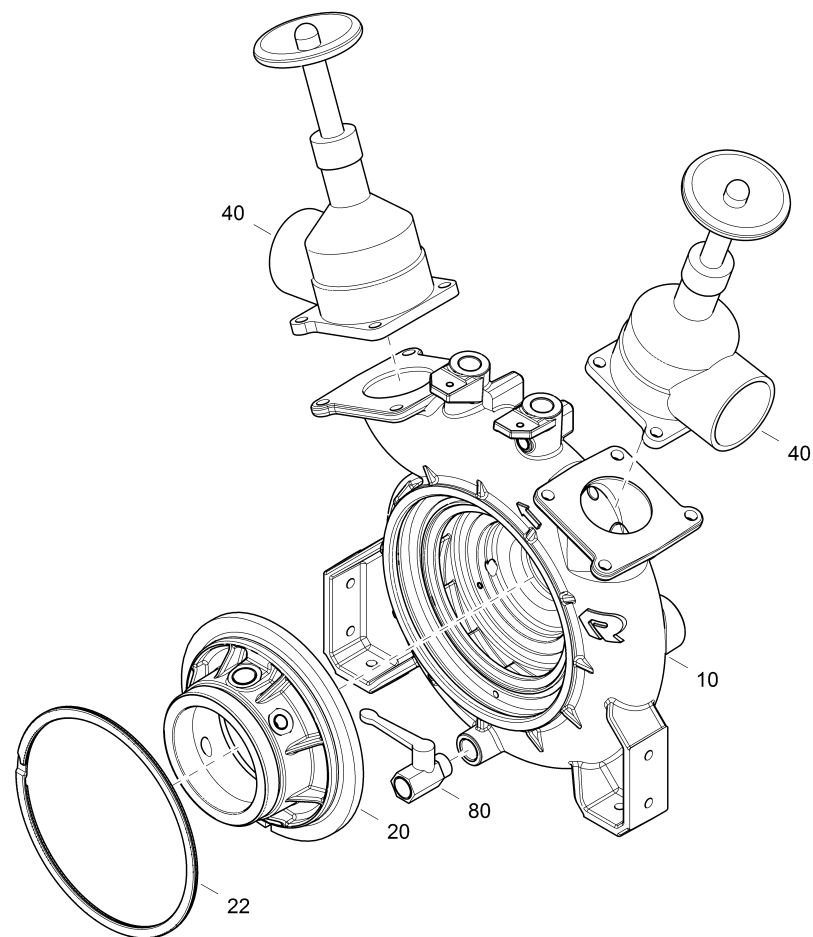


FOX (4. Generation)

Item no.	Description	Remark	Article no.	Qty.	EUR/UNIT
10	<u>Pump part</u>		898758-003	1	
11	O-ring		546941	1	
12	Casing wear ring		867738-001	1	
13na	Countersunk screw with phillips head	M5x8	085230	3	
20	Impeller left		855850-001	1	
21	Face sealing		978246	1	
22	Dowel pin		539658	1	
23na	Parallel key	A 8x7x56	048313	1	
24na	Parallel key	A 8x7x22	979916	1	
25	Washer for impeller		867682-001	1	
26na	O-ring	Ø12xØ2	014245	1	
27na	O-ring	Ø35xØ1,5	084606	1	
28na	Hexagon head screw	M12x35	015579	1	
29	Casing wear ring		867738-001	1	
30na	Countersunk screw with phillips head	M5x8	085230	3	
40na	Pressure transducer		897603	1	
50	Magnet valve		897412	1	
51na	Double nipple	G 1/2x50	579189	1	
52na	Reduction nipple	G 3/4 - 1/2	039525	2	
53na	Angle 90°	G 1/2	044280	1	
54	Hose shaft		020628	1	
55na	Hose for intake PPP	L=530mm	897351-002	1	
56na	Hose clamp	Ø19 - 28mm / 12mm	294503	2	
70	Hose shaft		053817	2	
71na	Hose for heat exchanger	L=240mm	898760-001	2	
72na	Hose clamp	Ø8 - 14mm / 9mm	007153	4	

FOX (4. Generation)

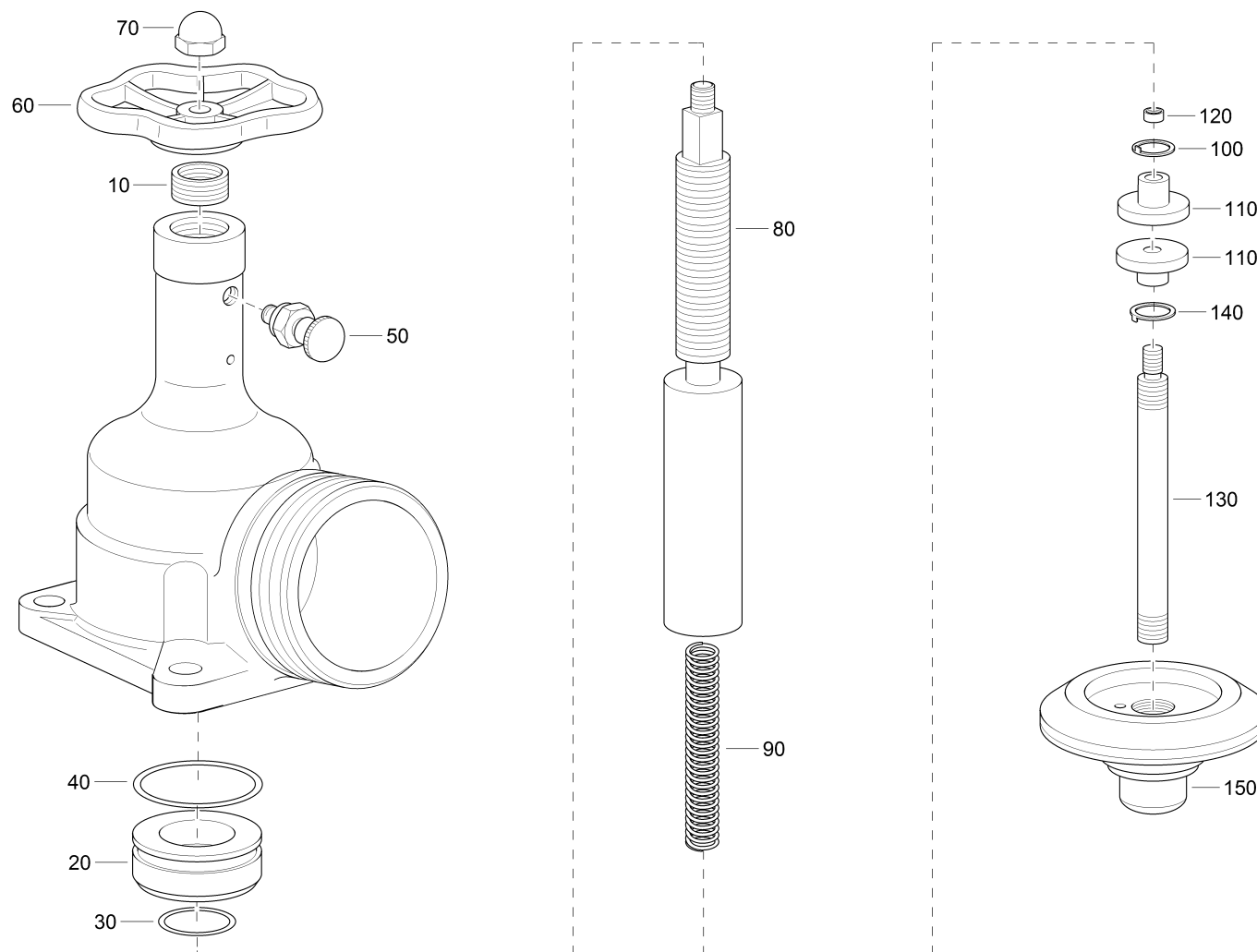
Item no.	Description	Remark	Article no.	Qty.	EUR/UNIT
80	Straight bolting		067612	1	
90	Elbow union		067616	1	
100na	Single pipe	L=200mm	533144	1	
110	Insert strainer	to serial number PC116L00113	031499-001	1	
110	Insert strainer	from serial number PC116L00114	008996	1	
111na	Guide plate	126,1x30x2	979957-001	1	
112na	Hexagon head screw	M6x30	015507	2	
113na	Washer	Ø6,4xØ12x1,6	014918	4	
114na	Hex nut	M6	015293	2	
150na	Stud	M 8F0x22	015642	5	
151na	Washer	Ø8,4xØ15x1,6	014939	5	
152na	Hex nut	M8	015055	5	
153na	Hexagon head screw	M8x25	015530	3	



FOX (4. Generation)

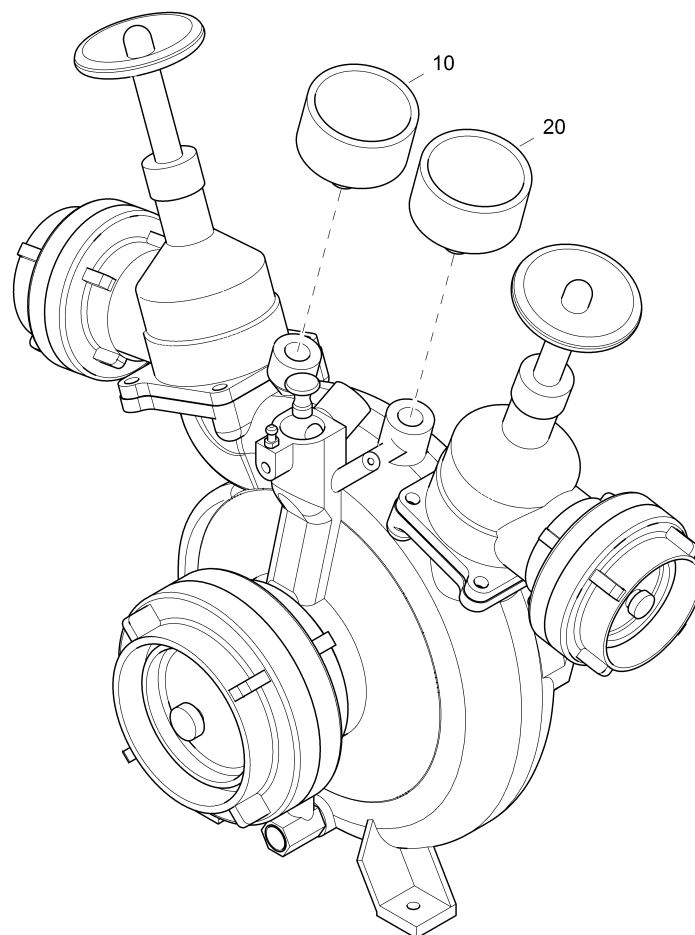
Item no.	Description	Remark	Article no.	Qty.	EUR/UNIT
10	Pump casing		856113-002	1	
15na	Locking screw	G1	015331	2	
17na	Gasket	Ø33xØ39x2	009452	2	
18na	Locking screw	G 1/4	015328	1	
19na	Gasket	Ø13xØ17x1,5	009419	1	
20	Suction cover		868134-001	1	
21na	Dowel pin	Ø6x12	529443	1	
22	Retaining ring-bore		868352	1	
40	Pressure valve		862493	2	
41na	O-ring	Ø92xØ3	014327	2	
42na	Hexagon head screw	M10x40	015395	8	
43na	Washer	Ø10,5xØ18x1,6	014941	16	
44na	Hex nut	M10	015058	8	
45	Intermediate flange for NS-valve	Option	072455-011	2	
46	Intermediate flange for NS-valve	Option	072455-012	2	
51na	Stopper		15328A-001	2	
80	Ball valve with handhold		037437	1	
81na	Gauge ring	Ø20xØ27x0,05/0,25	010576	2	
82na	Gasket	Ø21xØ26x1,5	009481	1	

FOX (4. Generation)



FOX (4. Generation)

Item no.	Description	Remark	Article no.	Qty.	EUR/UNIT
10	Ring		865300	1	
20	Guiding device		865302	1	
30	Gasket		865304	1	
40	Gasket		865305	1	
50	Complete end stop		865306	1	
60	Hand wheel		865307	1	
70	Nut		865350	1	
80	Spindle		865309	1	
90	Spring		865311	1	
100	Washer		865313	1	
110	Cap		865314	2	
120	Nut		865315	1	
130	Axle for valve plate		865316	1	
140	Washer		865317	1	
150	Valve disc		865294	1	



FOX (4. Generation)

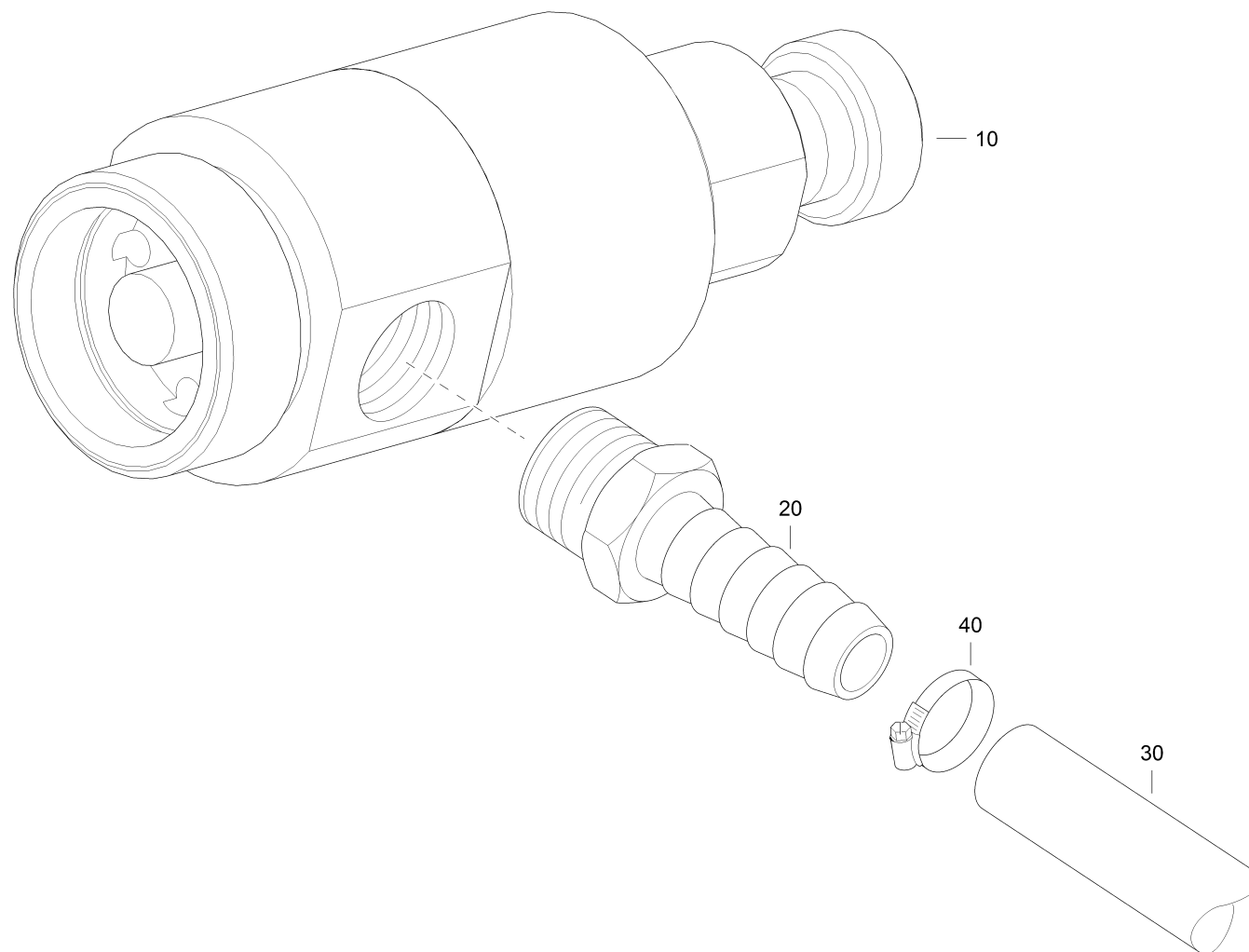
Item no.	Description	Remark	Article no.	Qty.	EUR/UNIT
10	Manometer	bar	570100	1	
20	Mano-vacuummeter	bar	570099	1	
30na	Gasket	Ø10xØ18x0,5	009478	2	
40na	Gasket	Ø10xØ18x1	009479	2	
50na	Gasket	Ø10xØ18x2	009480	4	

FOX (4. Generation)

Item no.	Description	Remark	Article no.	Qty.	EUR/UNIT
10	Manometer	PSI	570100	1	
20	Mano-vacuometer	PSI	570099	1	
30na	Gasket	Ø10xØ18x0,5	009478	2	
40na	Gasket	Ø10xØ18x1	009479	2	
50na	Gasket	Ø10xØ18x2	009480	4	

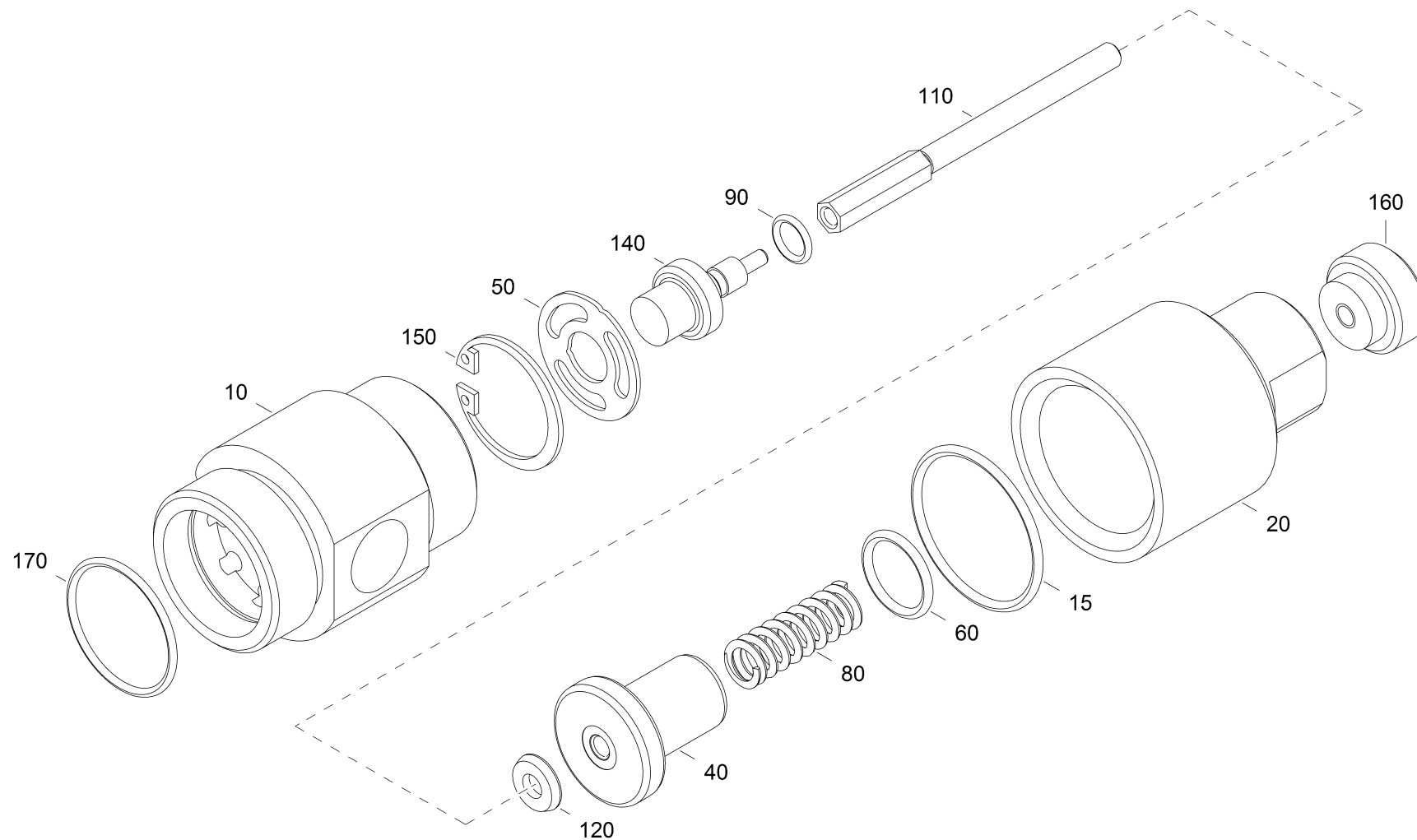
FOX (4. Generation)

Item no.	Description	Remark	Article no.	Qty.	EUR/UNIT
10	Manometer	MPI	570100	1	
20	Mano-vacuummeter	MPI	570099	1	
30na	Gasket	Ø10xØ18x0,5	009478	2	
40na	Gasket	Ø10xØ18x1	009479	2	
50na	Gasket	Ø10xØ18x2	009480	4	



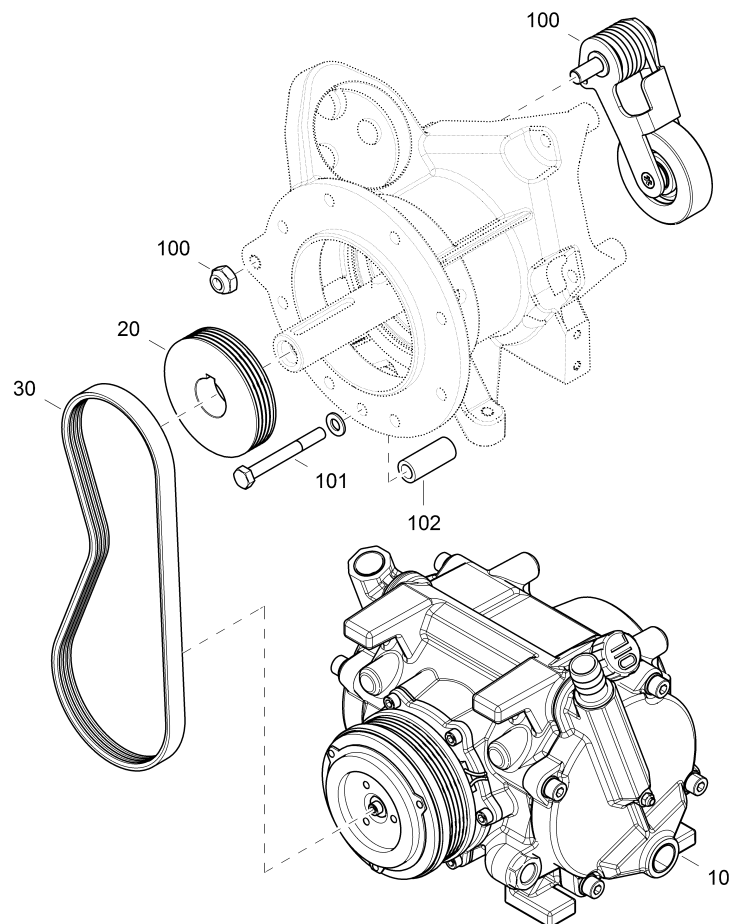
FOX (4. Generation)

Item no.	Description	Remark	Article no.	Qty.	EUR/UNIT
--	Overheating protection		531261-005	1	
--na	Elimination overheating protection		531261-006	1	
10	<u>Overheating valve</u>		520121-001	1	
15na	Angle 90°	G 3/8	012688	1	
20	Hose shaft		529270	1	
20na	Locking screw	G 1/2	015329	1	
30	Hose		897445-002	1	
30na	Gasket	Ø21xØ26x1,5	009481	1	
35na	Hose shaft	NW 16, G 1/2, AG	046196	1	
40	Hose clamp		046955	2	



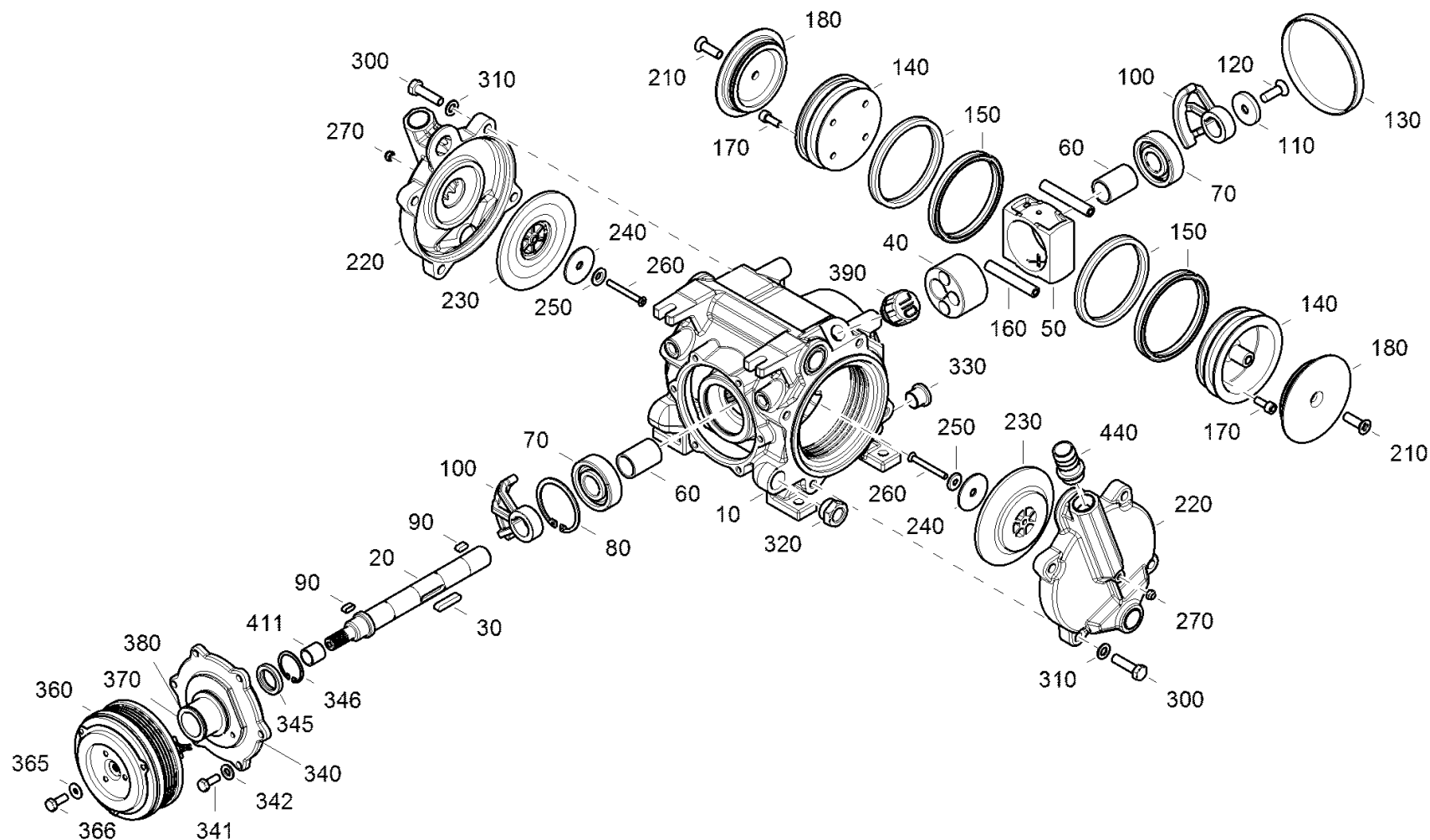
FOX (4. Generation)

Item no.	Description	Remark	Article no.	Qty.	EUR/UNIT
10	Valve body		520122-001	1	
15	O-ring		066394	1	
20	Valve cover		520123-001	1	
40	Valve piston		858847-001	1	
50	Washer		520128-001	1	
60	O-ring		014249	1	
80	Pressure spring		522556	1	
90	O-ring		522565	2	
110	Piston rod		862713-001	1	
120	Washer for clamping valve piston		869821-001	1	
140	Thermoelement		522580	1	
150	Retaining ring-bore		847912	1	
160	Knurled nut		084744	1	
170	O-ring		014270	1	
180na	Colour marking for clutch		864648-001	1	



FOX (4. Generation)

Item no.	Description	Remark	Article no.	Qty.	EUR/UNIT
10	<u>Piston priming pump with counterbalance weight</u>	to serial number PC116L01554	850879-001	1	
10	<u>Priming pump 210E</u>	from serial number PC116L01555	26900A-001	1	
20	Pulley		869170-001	1	
30	Costal belt		868112	1	
100	<u>Tension roller</u>		897880-001	1	
101	Hexagon head screw		015387	1	
102	Bush		001243-194	1	
103na	Washer	Ø8,4xØ15x1,6	014939	1	



FOX (4. Generation)

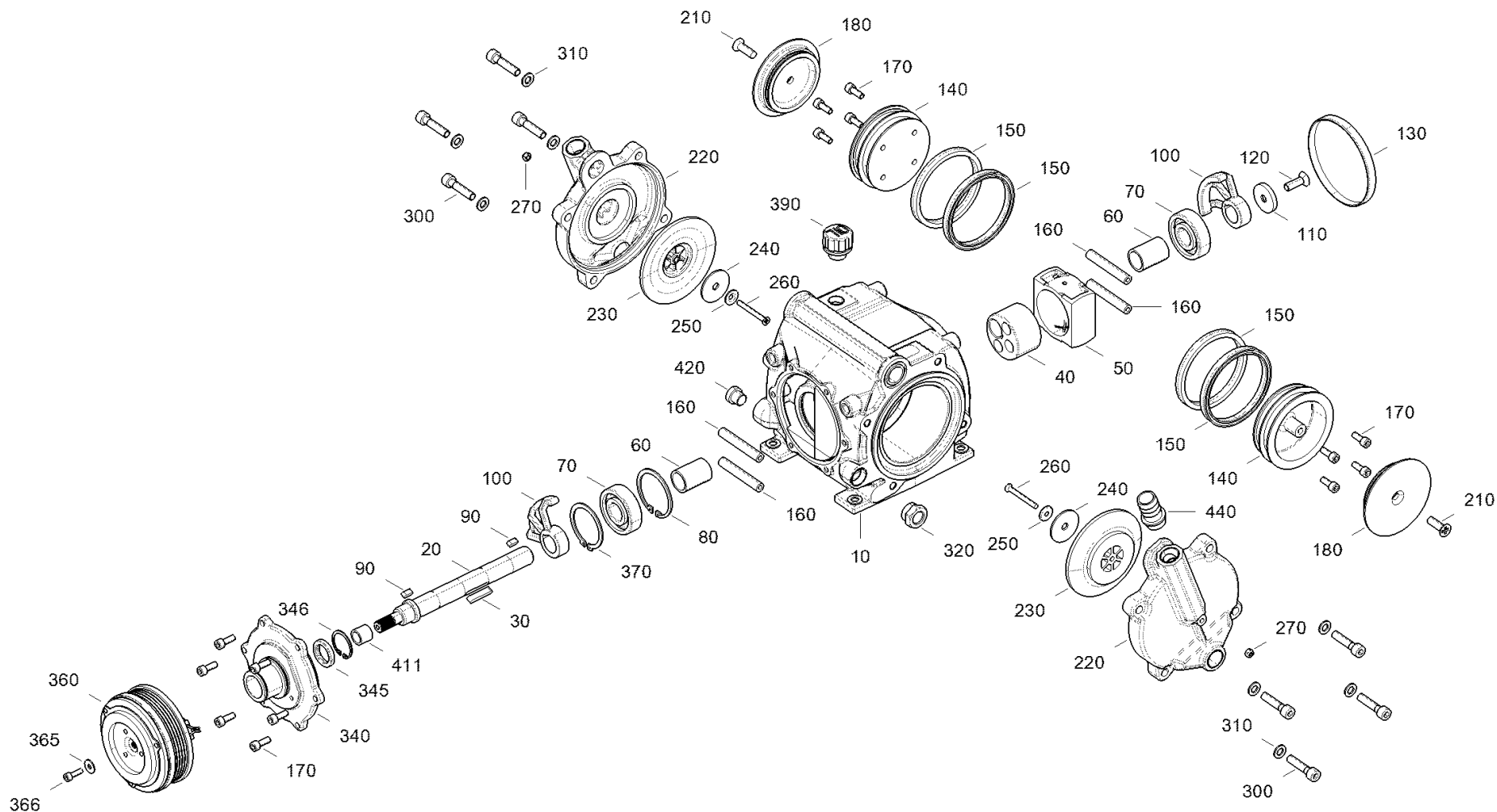
Item no.	Description	Remark	Article no.	Qty.	EUR/UNIT
10	Casing complete		851210-001	1	
20	Shaft		857417-001	1	
30	Parallel key		046447	1	
40	Eccentric		857414-002	1	
50	Slide stone		046458-002	1	
60	Bushing		046463-006	2	
70	Grooved ball bearing		046492	2	
80	Retaining ring-bore		014443	1	
90	Parallel key		861730	2	
100	Counterweight		857419-001	2	
110	End plate		868143-001	1	
120	Countersunk screw with phillips head		085249	1	
130	Closing cap		526562	1	
140	Piston bottom		032391-001	2	
150	Groove ring		050223	4	
160	Distance piece		046459-001	4	
170	Cylinder head screw		015975	8	
180	Piston head		032389-002	2	
190na	O-ring	Ø65xØ2	014312	2	
200na	Glydring	Ø74xØ90x6	573219-001	2	
210	Countersunk screw with phillips head		085249	2	
220	Valve cover		890811-001	2	
230	Valve plate		046454-001	2	
240	Inlet valve plate		074518-001	2	
250	Washer		046455-001	2	
260	Countersunk screw with phillips head		085234	2	

FOX (4. Generation)

Item no.	Description	Remark	Article no.	Qty.	EUR/UNIT
270	Hex nut		015084	2	
280na	O-ring	Ø24xØ3	014265	2	
290na	O-ring	Ø110xØ3	014341	2	
300	Hexagon head screw		015533	8	
310	Washer		014939	8	
320	Oil sight glass		888543	1	
330	Locking screw with seal ring		022653	1	
340	Cover for magnetic clutch		898542-002	1	
341	Hexagon head screw		015499	6	
342	Washer	Ø6,4xØ12x1,6	014917	6	
345	Shaft seal ring		574593	1	
346	Retaining ring-bore		006307	1	
350na	O-ring	Ø94xØ2	014328	1	
360	Electromagnetic coupling		897002	1	
361na	Gauge ring	Ø50xØ62	010588	1	
365	Washer		014916	1	
366	Hexagon head screw		015488	1	
370	Retaining ring-shaft	Ø45x1,75	014412	1	
380	Retaining ring-shaft	Ø35x1,5	014408	1	
390	Ventilation screw		849897	1	
410na	Gauge ring	Ø20xØ27x0,05/0,25	979330	2	
411	Bush	Ø12,5xØ17,2x15	001243-046	1	
420na	Locking screw	G 1/2	015329	1	
430na	Gasket	Ø21xØ26x1,5	009481	1	
440	Hose shaft		020628	1	
450na	Extension	G 3/8 - 50	534733	1	

FOX (4. Generation)

Item no.	Description	Remark	Article no.	Qty.	EUR/UNIT
460na	Angle 45°	G 3/8	526777	1	
470na	Single nipple	G 1/2	057511	1	
490na	T-piece	G 1/2	035161	1	
500na	Extension	G 3/8 - 30	530176	1	
510na	Angle 45°	G 1/2	578767	1	



FOX (4. Generation)

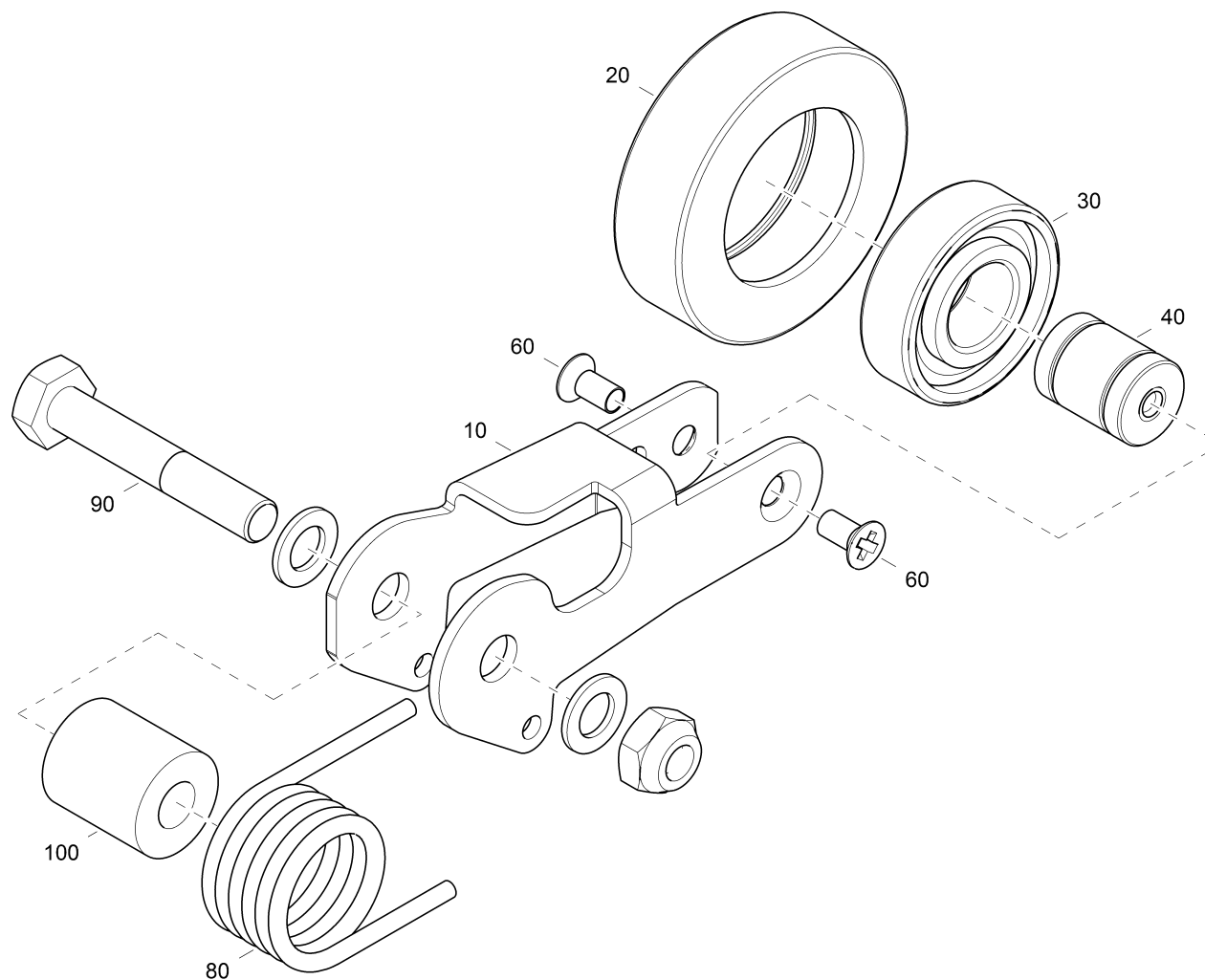
Item no.	Description	Remark	Article no.	Qty.	EUR/UNIT
10	Piston priming pump housing		26901A-001	1	
20	Shaft for priming pump		857417-001	1	
30	Parallel key		046447	1	
40	Eccentric		857414-002	1	
50	Sliding pad		046458-002	1	
60	Bushing		046463-006	2	
70	DEEP GROOVE BALL BEARING 20 X 52 X 15 ; 6304		046492	2	
80	Retaining ring, bores		014443	1	
90	Parallel key		861730	2	
100	Counterweight for KAP eh		857419-001	2	
110	Limit disk		868143-001	1	
120	Countersunk screw, phillips head		085249	1	
130	Sealing cap		526562	1	
140	Piston bottom part		032391-001	2	
150	Groove ring-TPU NR. 8001-182.744		050223	4	
160	Distance piece		046459-001	4	
170	Cylinder head screw M 6X16		015975	8	
180	PISTON HEAD		032389-002	2	
190na	O-ring 65x2		014312	2	
200na	Glydring rework		573219-001	2	
210	Countersunk screw, phillips head		085249	2	
220	valve cover		890811-001	2	
230	VALVE PLATE SIZE 100		046454-001	2	
240	INLET VALVE PLATE		074518-001	2	
250	Washer		046455-001	2	
260	Countersunk screw, philips head		085234	2	

FOX (4. Generation)

Item no.	Description	Remark	Article no.	Qty.	EUR/UNIT
270	Hex nut M5 DIN 985 A2		900206	2	
280na	O-ring		014265	2	
290na	O-ring 110 x 3 / b70		014341	2	
300na	Hexagon head screw		015533	8	
310	Washer		014939	8	
320	Oil level glass		888543	1	
330na	Locking screw w/gasket		022653	1	
340	cap for magnetic clutch		898542-001	1	
341na	Hexagon head screw		015499	6	
342na	Washer		014917	6	
345	Shaft seal		574593	1	
346	Retaining ring, bores		006307	1	
350na	O-ring		014328	1	
360	Electromagnetic coupling		897002	1	
361na	Gauge ring		010588	1	
365	Washer		014916	3	
366	Hexagon head screw		015488	1	
370	Retaining ring waves		014412	1	
380na	Retaining ring waves		014408	1	
390	Bleeder screw G3/8		849897	1	
410na	Gauge ring		979330	2	
411	Bush		001243-046	1	
420	Locking screw w/gasket		073443	1	
430na	Gasket		009481	1	
440	Hose shaft DN19 NP16 bar - G 1/2" male, brass		020628	1	
450na	Extension		534733	1	

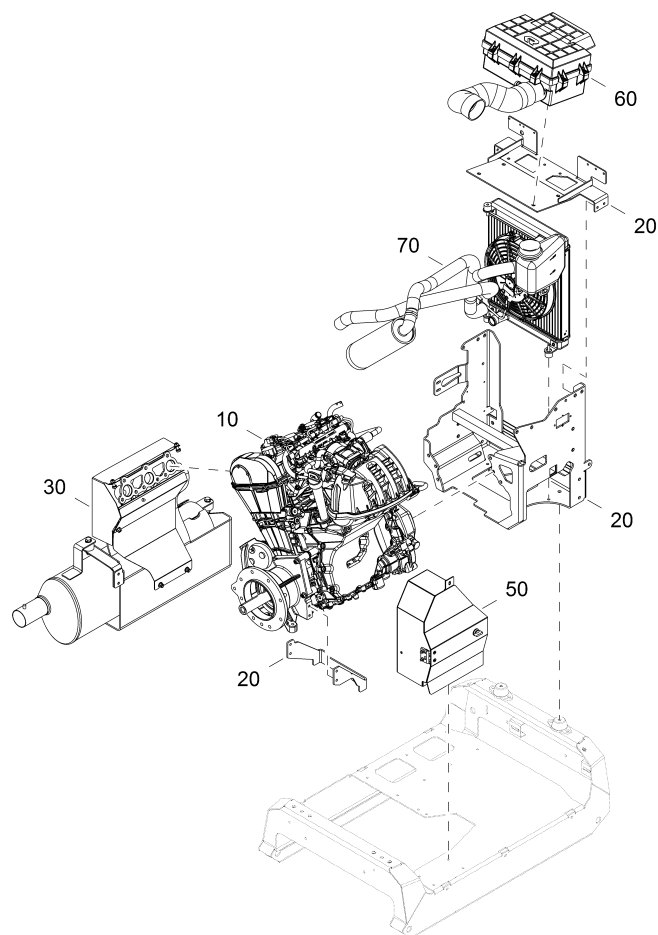
FOX (4. Generation)

Item no.	Description	Remark	Article no.	Qty.	EUR/UNIT
460na	Angle 45°		526777	1	
470na	Single nipple		057511	1	
490na	T-piece		035161	1	
500na	Extension		530176	1	
510na	Pipe Fitting 45°		578767	1	
520na	Support TM 3S 10C		858733	2	



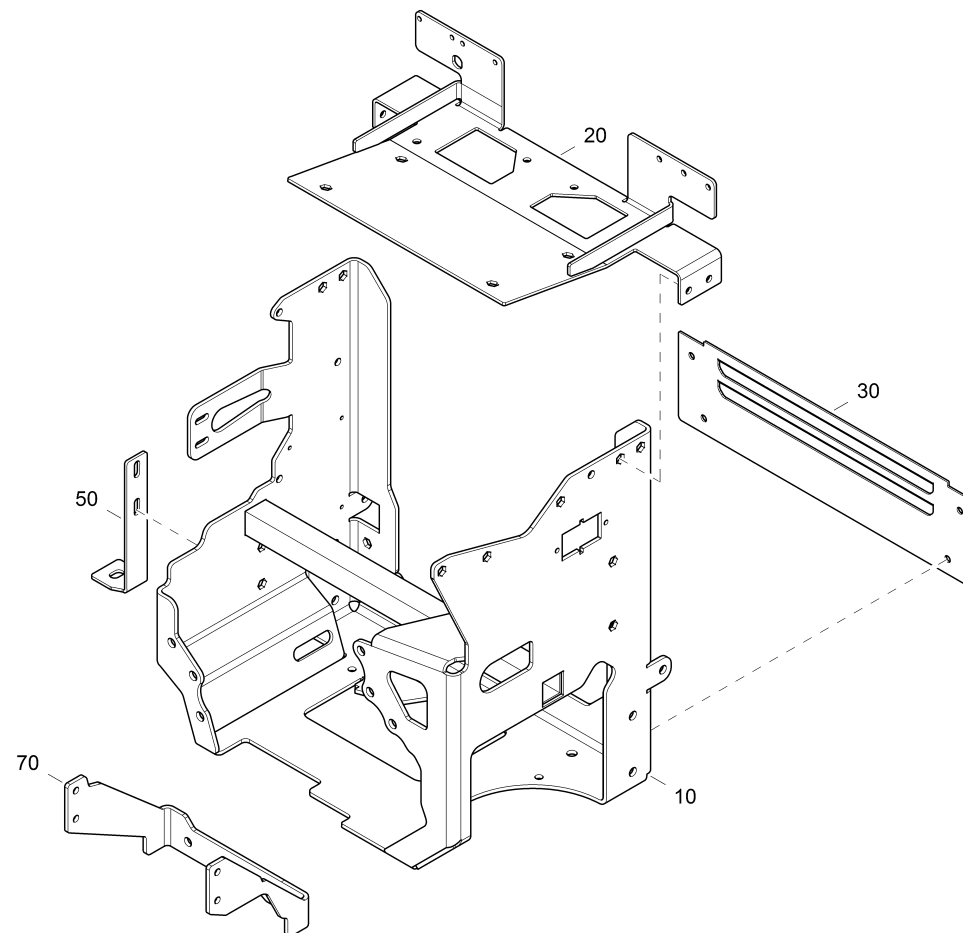
FOX (4. Generation)

Item no.	Description	Remark	Article no.	Qty.	EUR/UNIT
10	Tension roller lever		897877-001	1	
20	Tension roller V-ribbed belt		897878-001	1	
30	Grooved ball bearing		012136	1	
40	Axle for tension roller		897879-001	1	
50na	Retaining ring-shaft	Ø20x1,2	014457	2	
60	Countersunk screw with phillips head		085238	2	
70na	Retaining ring-bore	Ø47x1,75	014440	1	
80	Leg spring right		976719	1	
90	Hexagon head screw		015400	1	
100	Bush		001243-218	1	
110na	Washer	Ø10,5xØ18x1,6	014941	1	
120na	Hex nut	M10	015087	1	



FOX (4. Generation)

Item no.	Description	Remark	Article no.	Qty.	EUR/UNIT
10	Fuel motor Rotax 3 complete		855835-001	1	
11na	Supply parts		979433	1	
20	<u>Fixing parts for motor</u>		892744-002	1	
30	<u>Exhaust system</u>		860911-001	1	
50	<u>Fixing parts for battery bracket</u>		892750-001	1	
60	<u>Air filter box</u>		892754-002	1	
70	<u>Cooling system</u>		892755-002	1	

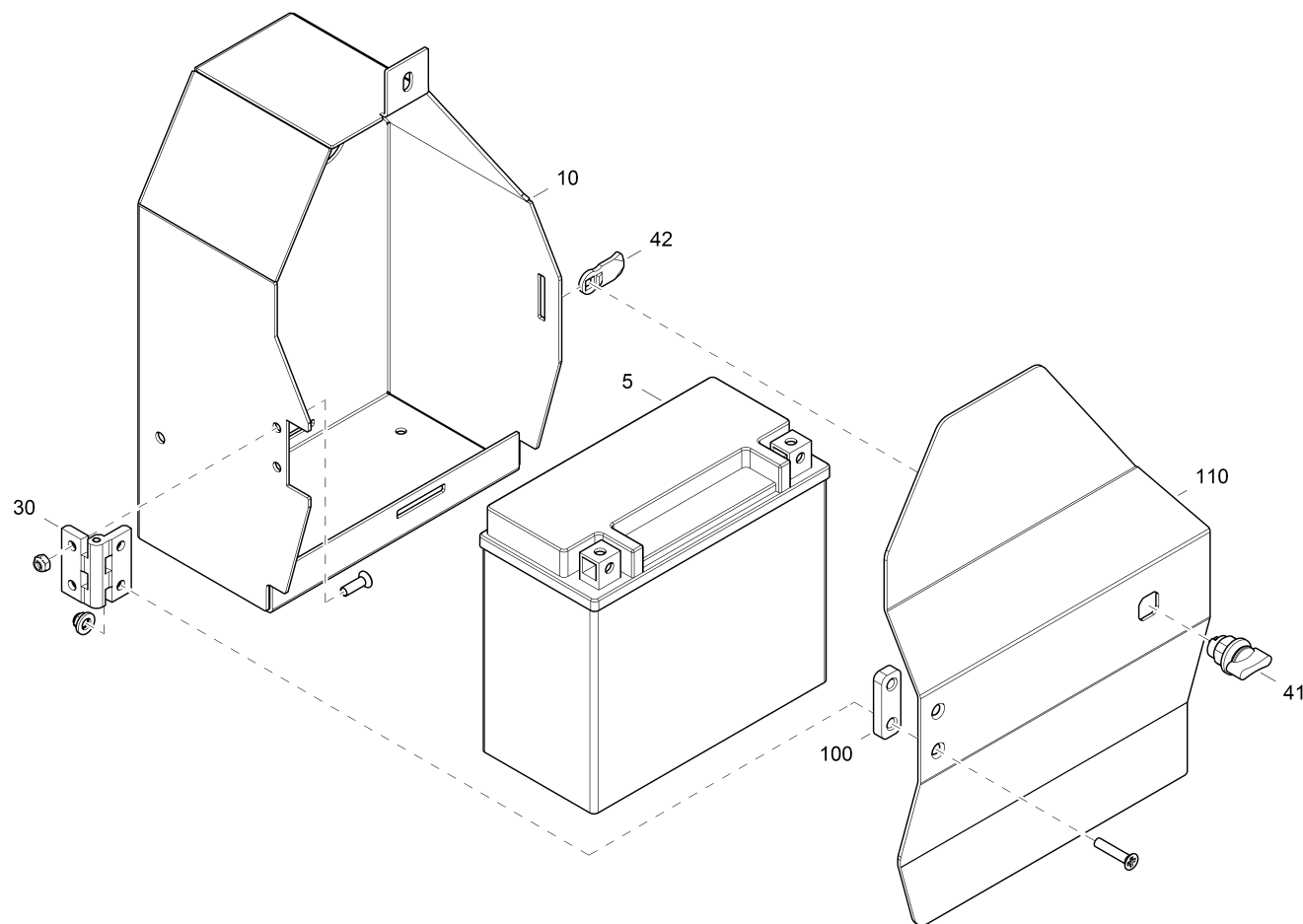


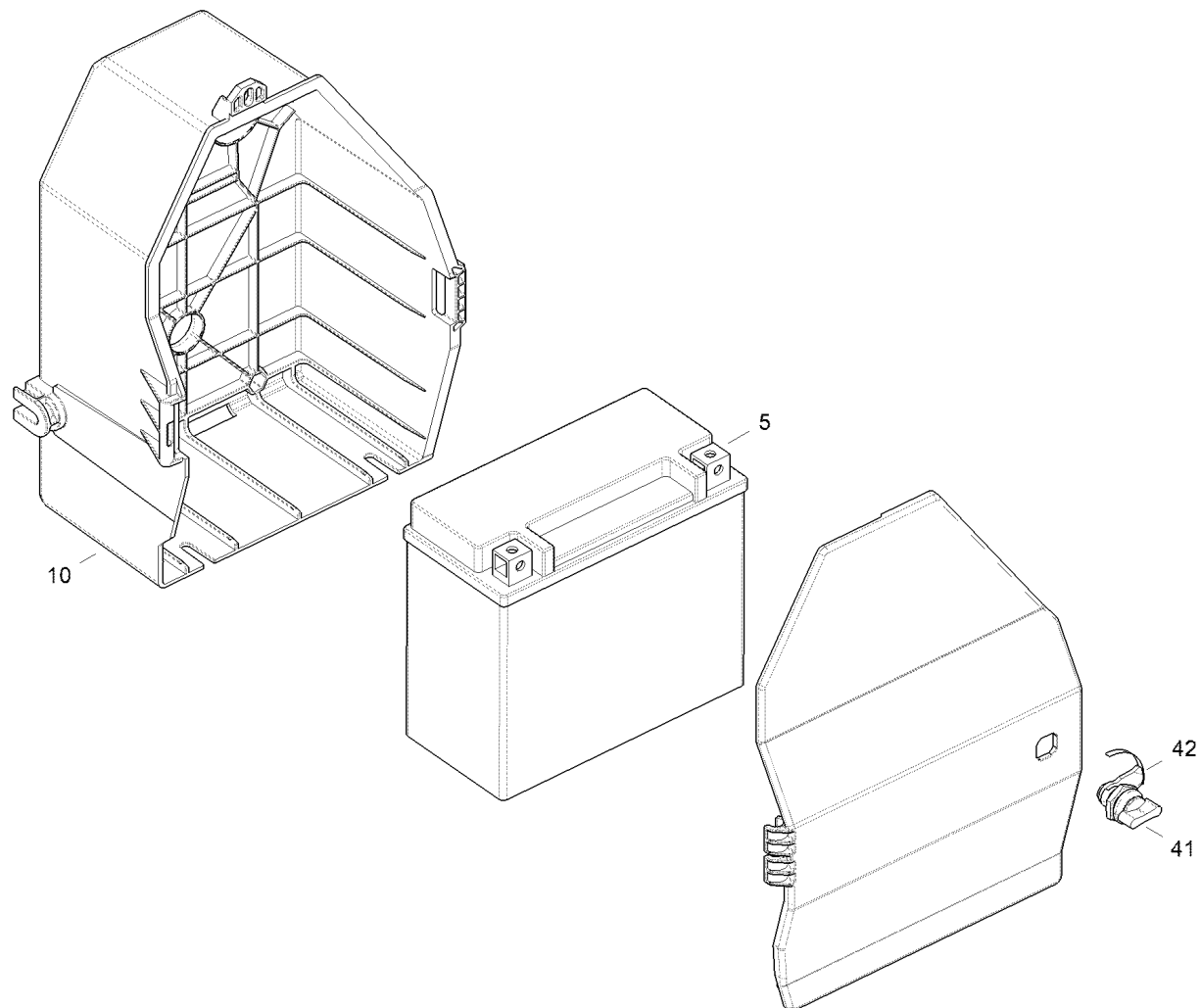
FOX (4. Generation)

Item no.	Description	Remark	Article no.	Qty.	EUR/UNIT
10	Holder for engine		892745-002	1	
11na	Hexagon head screw	M8x25	015530	7	
12na	Washer	Ø8,4xØ16x1,6	014919	5	
13na	Threaded pin	M8x35	580343	6	
14na	Hex nut	M8	015055	1	
15na	Retaining ring	M8	003228	1	
16na	Edge protection sealing profile	L=600mm	899178	1	
17na	Edge protection	L=150mm	005959	1	
20	Holder for engine top		892746-001	1	
21na	Hexagon head screw	M6x20	015502	7	
22na	Washer	Ø6,4xØ12x1,6	014917	7	
23na	Hex nut with flange	M6	027069	3	
30	Air outlet back		898442-001	1	
31na	Cylinder head screw with extremely low head and torx	M6x16	544609	4	
50	Exhaust holding plate		898429-001	1	
60na	Hexagon head screw	M6x30	015502	2	
61na	Washer	Ø6,4xØ18x1,6	052193	2	
70	Bracket for PPP		896944-002	1	
71na	Hexagon head screw	M8x25	015530	2	
72na	Washer	Ø8,4xØ15x1,6	014919	2	
73na	Cylinder head screw	M8x30	015993	2	
74na	Washer	Ø8,4xØ24x2	014970	2	
75na	Hexagon head screw	M6x20	015502	2	
76na	Hexagon head screw	M6x25	015504	2	
77na	Washer	Ø6,4xØ12x1,6	014917	4	

FOX (4. Generation)

Item no.	Description	Remark	Article no.	Qty.	EUR/UNIT
10na	Exhaust system		976952-001	1	
20na	Exhaust support	S=3mm	892861-002	1	
21na	Circular rubber bearing	M8x20, Ø30x20	032179	2	
22na	Hex nut with flange	M8	006115	2	
23na	Washer	Ø8,4xØ16x1,6	014919	4	
24na	Hexagon head screw	M8x12	015523	2	
30na	Elbow cover plate		08312A-001	1	
31na	Washer	Ø10,5xØ20x2	014921	1	
32na	Hexagon head screw	M10x20	015547	1	
33na	Hexagon head screw	M6x20	015502	2	
34na	Washer	Ø6,4xØ12x1,6	014917	4	
35na	Hex nut	M6	015085	2	
40na	Elbow heat protection		08120A-001	1	
41na	Hexagon head screw	M6x16	015499	3	
42na	Washer	Ø6,4xØ12x1,6	014917	6	
43na	Hex nut	M6	015085	3	



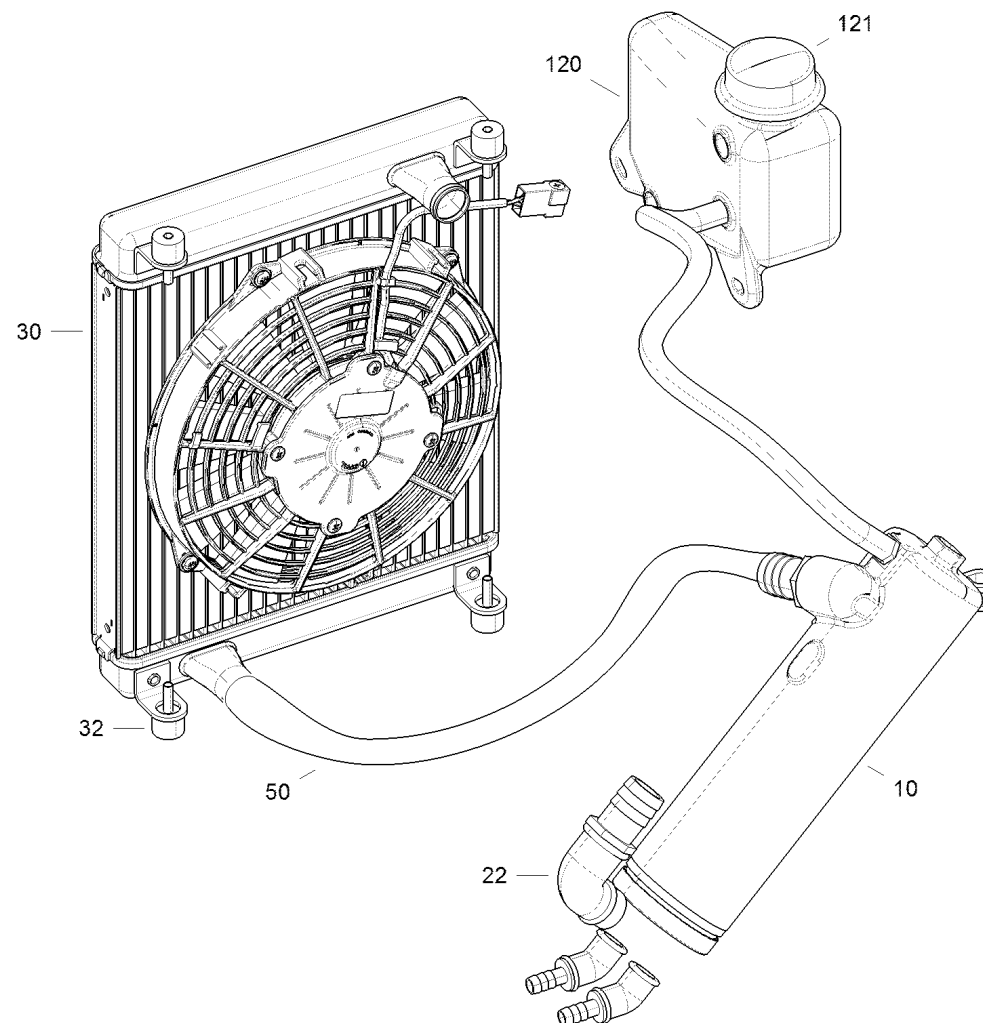


FOX (4. Generation)

Item no.	Description	Remark	Article no.	Qty.	EUR/UNIT
5	Battery		898538	1	
10	Battery case	to serial number PC116L00720	892859-001	1	
10	Battery box	from serial number PC116L00721	20083A-001	1	
11na	Bush	Ø8,2xØ12x16	057844-001	1	
12na	Countersunk screw with hexagon socket	M6x30	052180	1	
13na	Hex nut with flange	M6	027069	1	
20na	Belt black-orange Kletto-Fix	L=600mm	052516-105	1	
30	Hinge plastic		972033	1	
41	Cabinet lock with toggle		979593	1	
42	Cabinet lock tongue		979592-001	1	
71na	Edge protection	L=800mm	000708	1	
80na	Countersunk screw with hexalobular	M5x16	530884	2	
85na	Hexagon head screw	M5x16	015490	4	
86na	Hex nut with flange	M5	027554	4	
90na	Countersunk screw with hexalobular	M5x25	548964	2	
100	Distance piece		898565-001	1	
110	Battery cover plate	to serial number PC116L00720	898564-001	1	
120na	Hex nut with flange	M5	845191	4	
150na	Rubber strip	60x20x4	047990-004	2	
155na	Rubber strip	88x20x4	047990-008	2	
160na	Rubber strip	50x18x4	047990-006	2	
180na	Cabel tie with mountig foot		524908	3	

FOX (4. Generation)

Item no.	Description	Remark	Article no.	Qty.	EUR/UNIT
10na	Air filter box	Black	897873-001	1	
11na	Air filter element	253x149x35	898583	1	
12na	Hose	L=320mm	898759-001	1	
13na	Hose clamp	Ø13 - 20mm / 9mm	046955	2	
14na	Suction hose	Ø64mm	898878-002	1	
15na	Hose clamp	Ø50 - 70mm	022736	2	
16na	Cellular rubber profile	L=390mm	574149	1	
20na	Screw fillister head/torx	Ø5x16	021207	9	
30na	Hexagon head screw	M6x20	015502	4	
31na	Washer	Ø6,4xØ18x1,6	014956	4	
32na	Lockwasher	A6	003229	4	

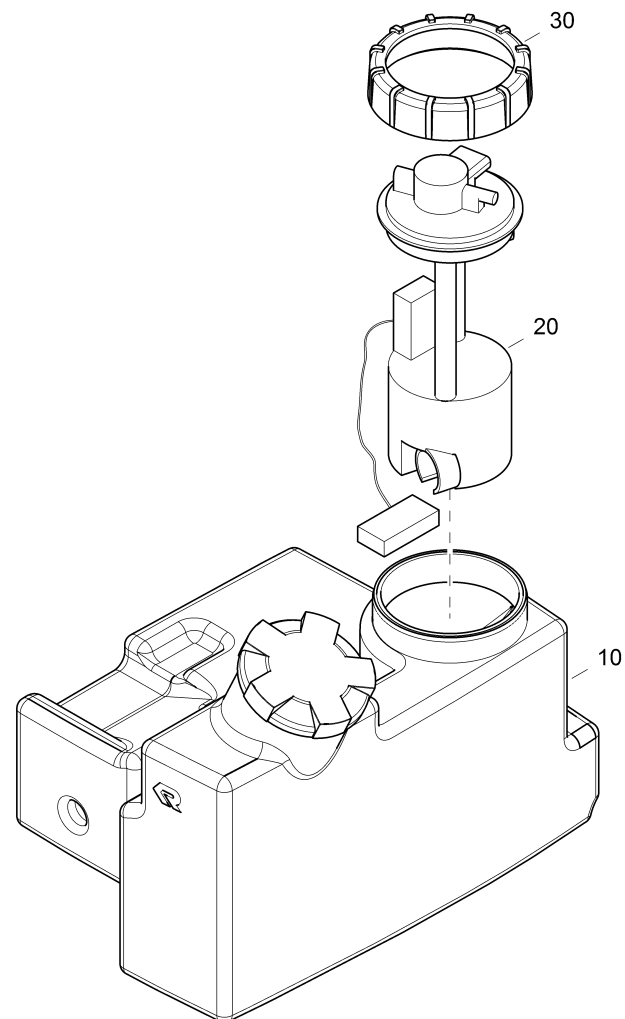


FOX (4. Generation)

Item no.	Description	Remark	Article no.	Qty.	EUR/UNIT
10	Cooler pipe TS C11X		11264A-001	1	
11na	Heat exchanger element		08860A	1	
12na	Rubber plate	200x200x1	025645	1	
13na	Angle 45°	G 3/8	526777	2	
14na	Hose shaft	NW 10, G 3/8	524508	2	
15na	Hose shaft	NW 25, G 3/4	050466	1	
16na	O-ring	Ø60x3	014311	1	
18na	Retaining ring-bore	Ø65x2,5	011290	1	
22	Angle 90°		045722	1	
30	Water cooler		892935	1	
31na	Washer	Ø6,5xØ25x5	897224-001	4	
32	Circular rubber bearing		014611	4	
33na	Washer	Ø6,4xØ12x1,6	014917	4	
34na	Hexagon head screw	M6x10	015495	4	
40	T-piece	G 3/4	050459	1	
41na	Hose shaft	NW 25, G 3/4	050466	2	
42na	Reduction nipple	G 3/4 - 1/2	039525	1	
44na	Hose shaft	NW 16, G 1/2, AG	046196	1	
50	Hose for water cooling	L=700mm	898949-001	1	
60	Hose for water cooling	L=60mm	898949-002	1	
70	Hose for water cooling	L=260mm	898949-003	1	
80	Hose for water cooling	L=780mm	898949-004	1	
90	Hose for expansion reservoir	L=130mm	979750-001	1	
100na	Hose clamp	Ø22 - 32mm / 12mm	294504	8	
101na	Hose clamp	Ø19 - 28mm / 12mm	294503	2	
102na	Pipe bracket	Ø34x15	040344	1	

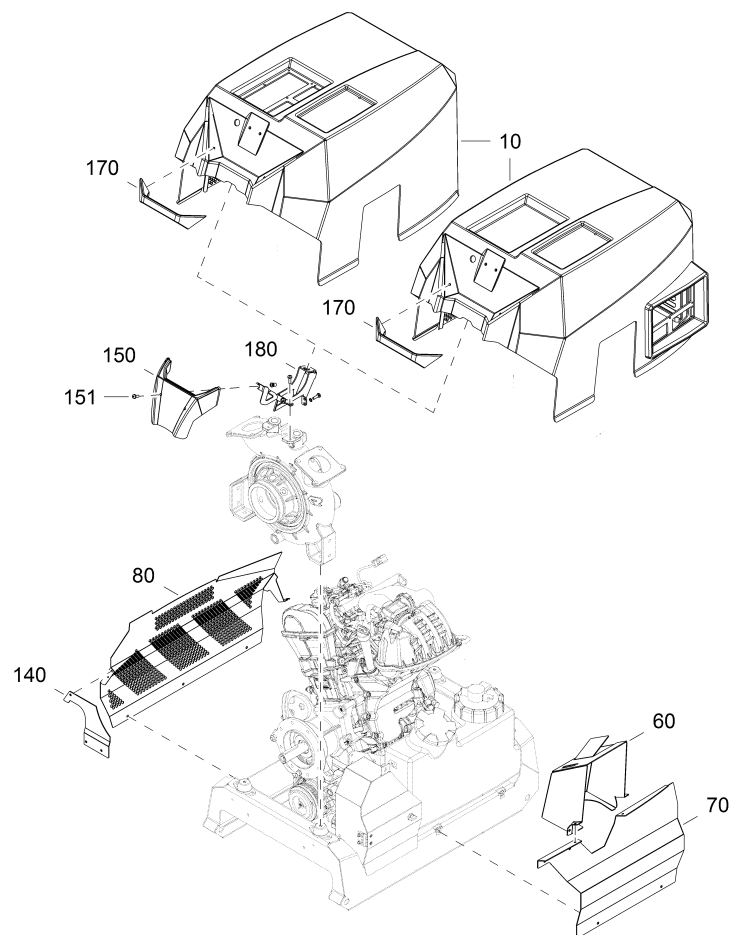
FOX (4. Generation)

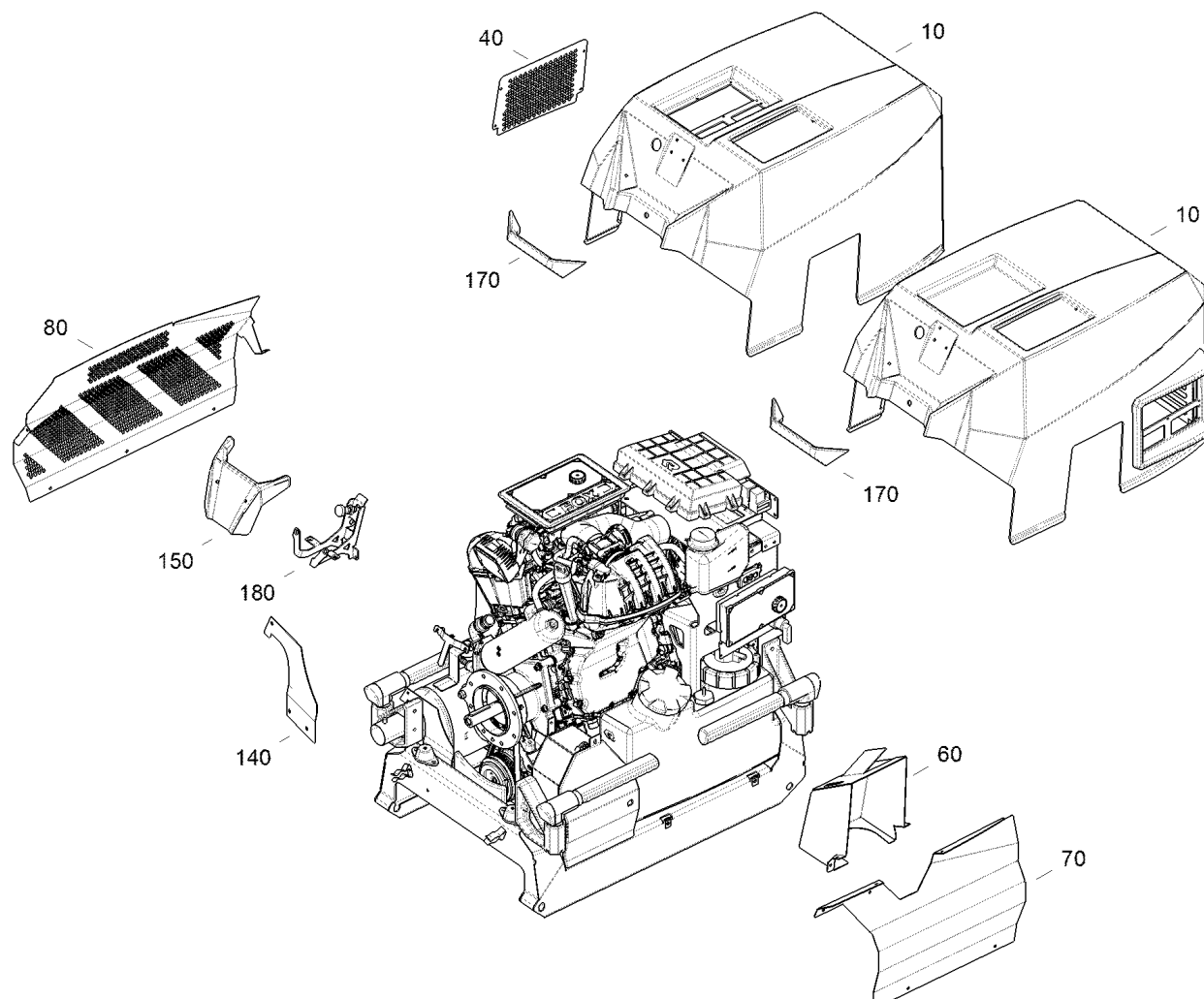
Item no.	Description	Remark	Article no.	Qty.	EUR/UNIT
120	Expansion reservoir		897872-001	1	
121	Radiator cap		897903	1	
123na	Washer	Ø6,4xØ18x1,6	052193	3	
124na	Hexagon head screw	M6x25	015504	1	
125na	Hexagon head screw	M6x60	015518	1	
126na	Bush	Ø10xØ16x38	001243-194	1	



FOX (4. Generation)

Item no.	Description	Remark	Article no.	Qty.	EUR/UNIT
10	Fuel tank		891511-001	1	
20	Fuel pump		892304-001	1	
30	Locking ring		034960	1	
40na	Rubber seal for fuel pump		034964	1	
70na	Hose clamp	Ø11 - 17mm / 9mm	294502	2	
71na	Hose for fuel line	L=660mm, Ø8x3	897354-002	1	





FOX (4. Generation)

Item no.	Description	Remark	Article no.	Qty.	EUR/UNIT
--	Cover hood with control ahead		891735-001	1	
--	Cover hood with control lateral		891735-002	1	
10	Cover hood	With control ahead	891734-001	1	
10	Cover hood	With control lateral	891734-002	1	
11na	Grommet double edging		029421	1	
12na	Anti-slip mat	100x185x5	899728	1	
13na	Cord	L=1020mm	034522	1	
14na	Washer		052193	1	
15na	Washer	Ø6,4xØ12x1,6	014917	2	
17na	Anti-slip mat		03896A	1	
18na	Bolt for hinge		03842A	2	
19na	Protection		03286A	2	
40	Exhaust manifold cover TS C11x		898427-002	1	
60	Tank plate		892704-001	1	
61na	Cylinder head screw with extremely low head and torx	M6x16	544609	6	
62na	Hex nut with flange	M6	027069	4	
63na	Sealing profile	L=280mm	036548	1	
70	Tank cover panel		892705-001	1	
71na	Edge protection	L=880mm	000708	1	
72na	Hexagon head screw	M6x16	015499	2	
80	Exhaust cover		892706-001	1	
81na	Edge protection	L=250mm	891358	1	
82na	Edge protection	L=85mm	891358	1	
83na	Cylinder head screw with extremely low head and torx	M6x16	544609	4	
84na	Hex nut with flange	M6	027069	1	
140	Connecting plate		892862-001	1	

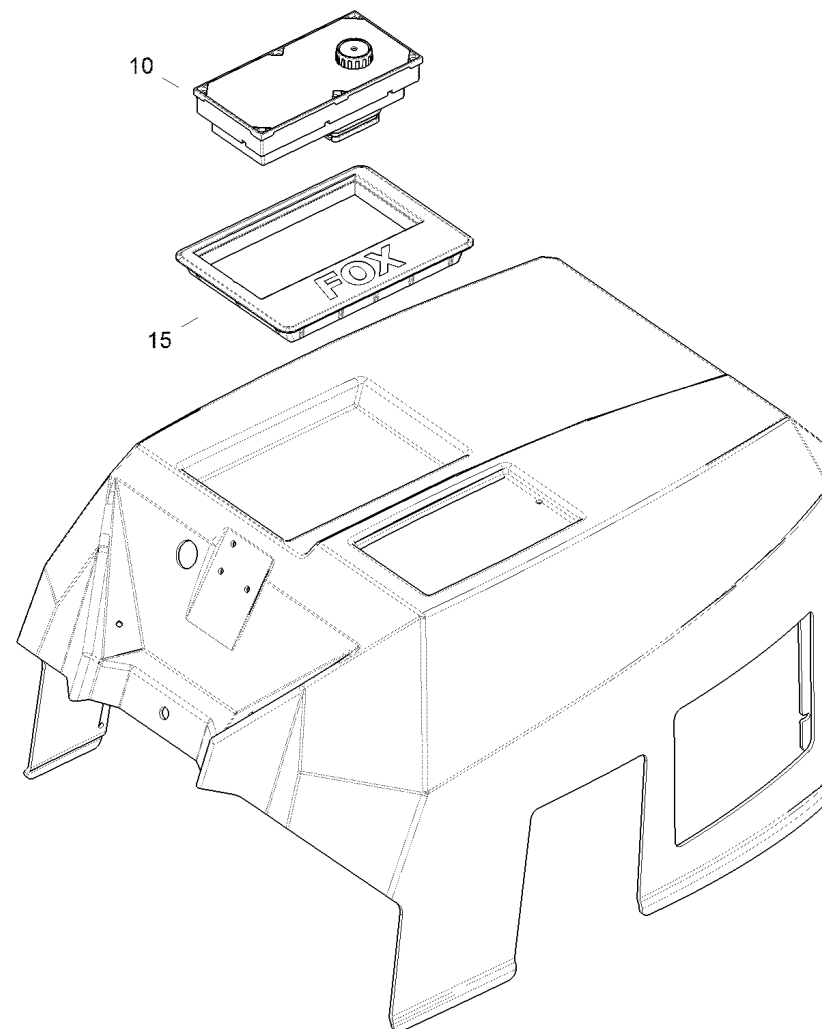
Cover hood

Release: 04, 08/2019 (Art. Nr. 12084A-003)

Page: 58

FOX (4. Generation)

Item no.	Description	Remark	Article no.	Qty.	EUR/UNIT
141na	Hexagon head screw	M6x20	015502	2	
142na	Washer	Ø6,4xØ12x1,6	014917	2	
143na	Hex nut with flange	M6	027069	2	
150	Cover ahead		898069-001	1	
151	Fillister head screw with torx	M6x16	569374	2	
170	Handhold for cover		898911-001	1	
171na	Screw fillister head/torx	Ø5x16	021207	2	
172na	Washer	Ø5,3xØ15x1,2	048144	2	
180	Console for cover ahead	to serial number PC116L00020	898414-001	1	
180	Console for cover ahead	from serial number PC116L00021	22614A-001	1	
181na	Clutch		978934	1	
182na	Bolt	Ø10 / M6	319710	1	
183na	Hex nut	M6	015085	1	
184na	Hexagon head screw	M6x10	015495	3	
186na	Washer	Ø6,4xØ12x1,6	014917	3	
187na	Countersunk screw with phillips head	M6x16	082760	2	

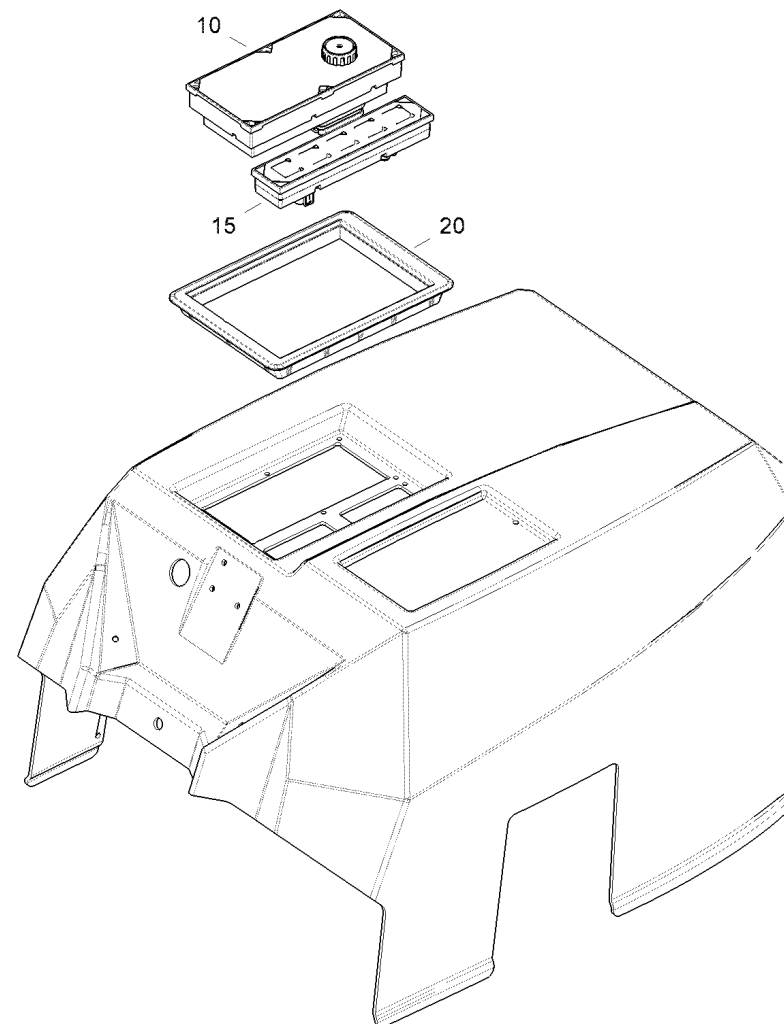


FOX (4. Generation)

Item no.	Description	Remark	Article no.	Qty.	EUR/UNIT
10	LCS 2.0 control		890534	1	
15	Frame for control panel		07401A-001	1	
20na	Fillister head screw with torx		891695	6	
25na	LCS 2.0 screw cover edge		577702	6	
100na	<u>Electronic parts</u>		892664-001	1	

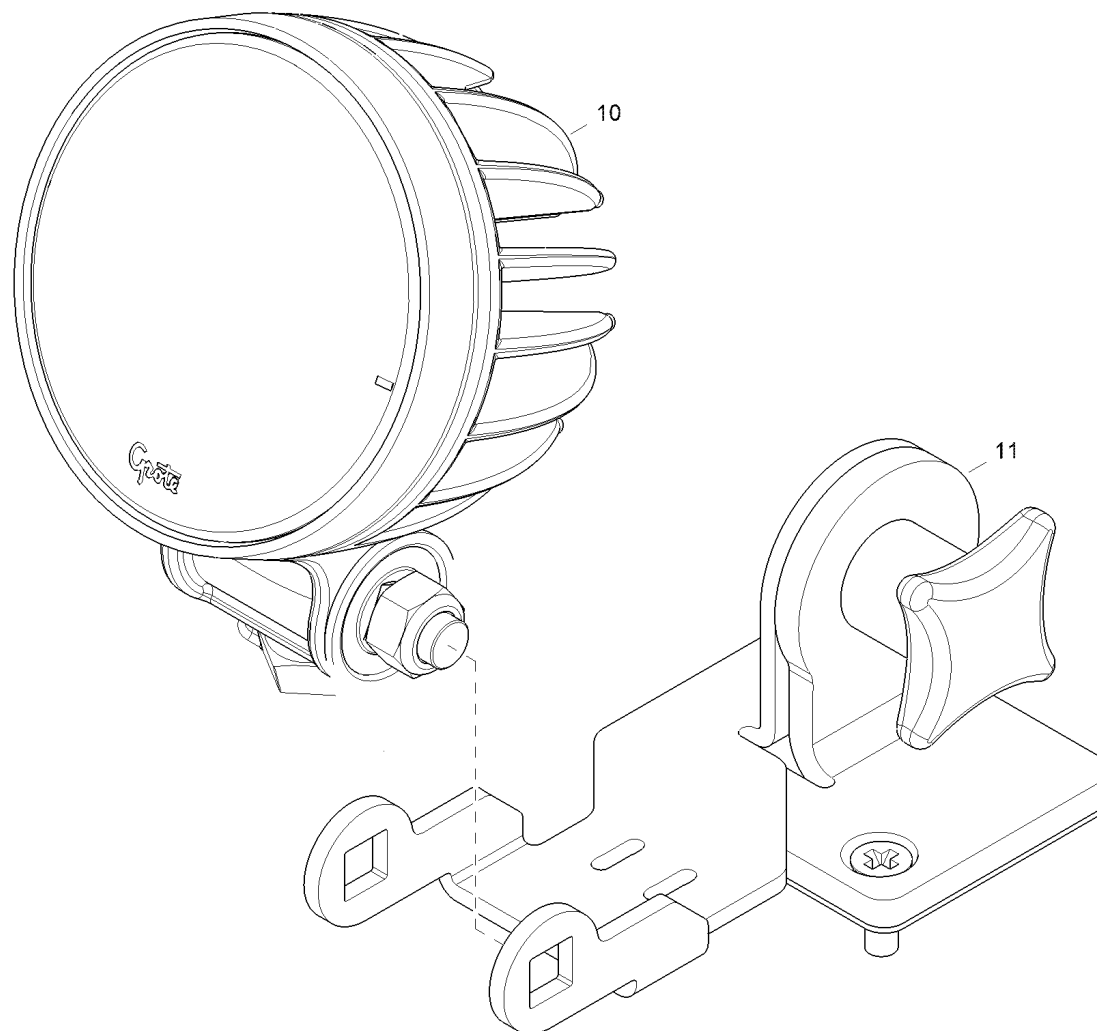
FOX (4. Generation)

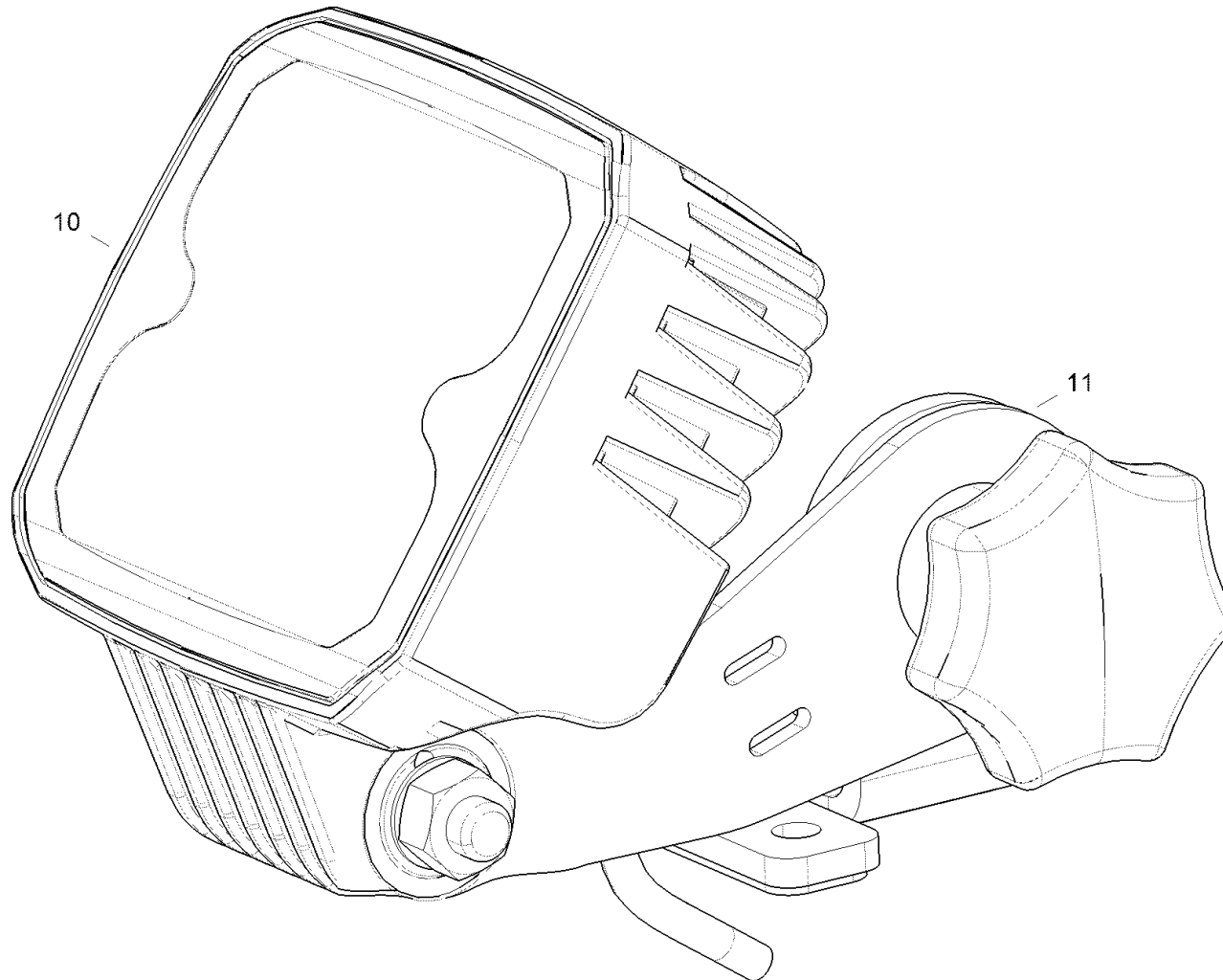
Item no.	Description	Remark	Article no.	Qty.	EUR/UNIT
10na	Wiring harness FOX S		888158-001	1	
17na	O-ring	Ø25xØ1,5	003767	1	
18na	Fixing ring		573940	1	
19na	Cap with fixing ring		576343	1	
24na	Protection cap for male socket		541567	1	
25na	Closing cap for sensor box	M12	023180	2	
30na	Rectifier	14,5V	892191	1	
31na	Washer	Ø6,4xØ18x1,6	014956	2	
32na	Hexagon head screw	M6x25	015505	2	
40na	Holding frame		573252	1	
41na	Fillister head screw with torx	M4x16	530857	2	
42na	Washer	Ø4,3xØ9x0,8	014915	4	
43na	Hex nut	M4	900845	2	
50na	Cable tie fastener	Material AL	049177	14	
60na	Cable tie	TY 25 MX	022891	14	



FOX (4. Generation)

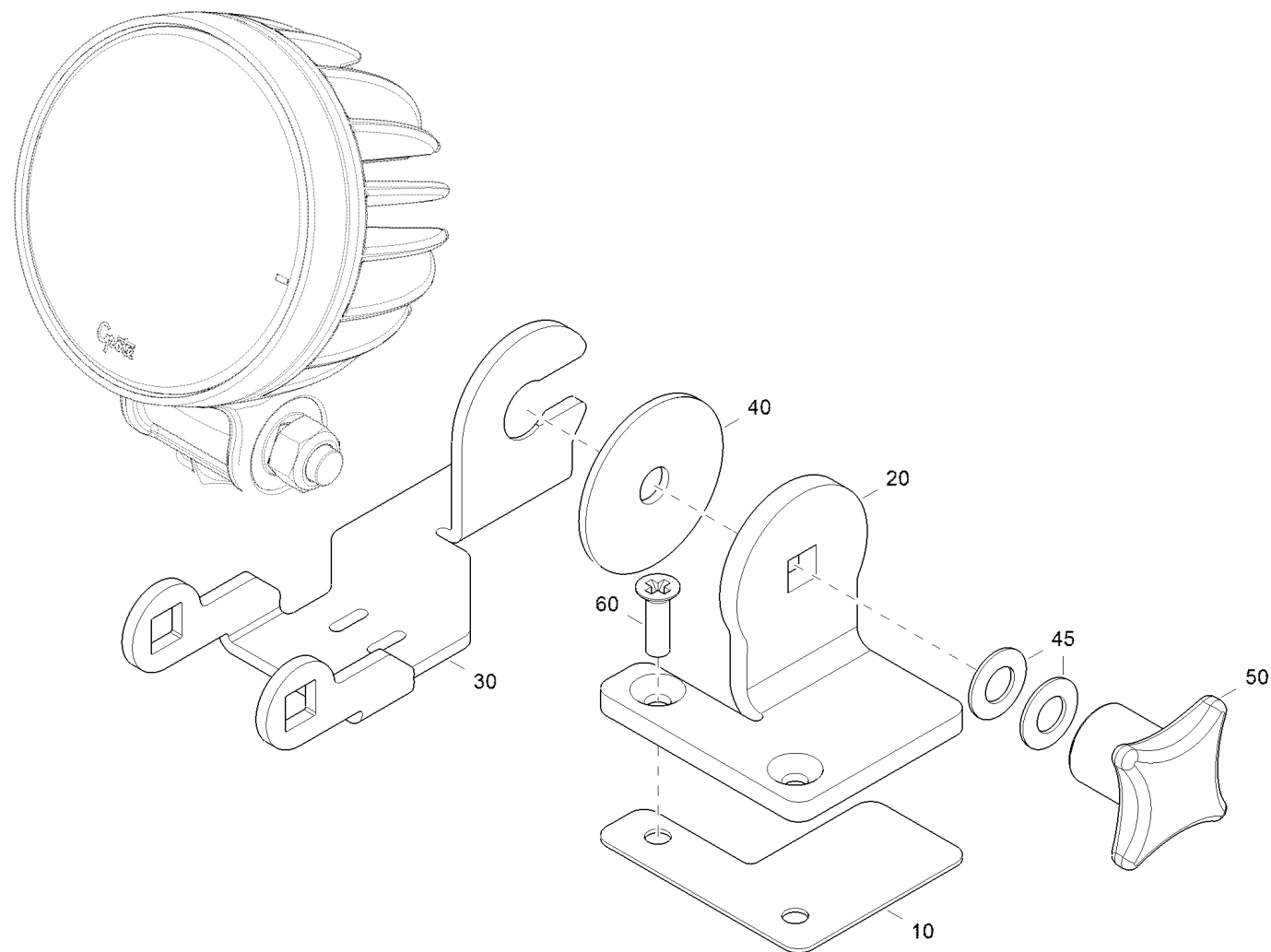
Item no.	Description	Remark	Article no.	Qty.	EUR/UNIT
10	LCS 2.0 control		890534	1	
15	LCS 2.0 control 5		572197	1	
20	Frame for control panel		07401A-002	1	
25na	Fillister head screw with torx		891695	6	
30na	LCS 2.0 screw cover edge		577702	6	





FOX (4. Generation)

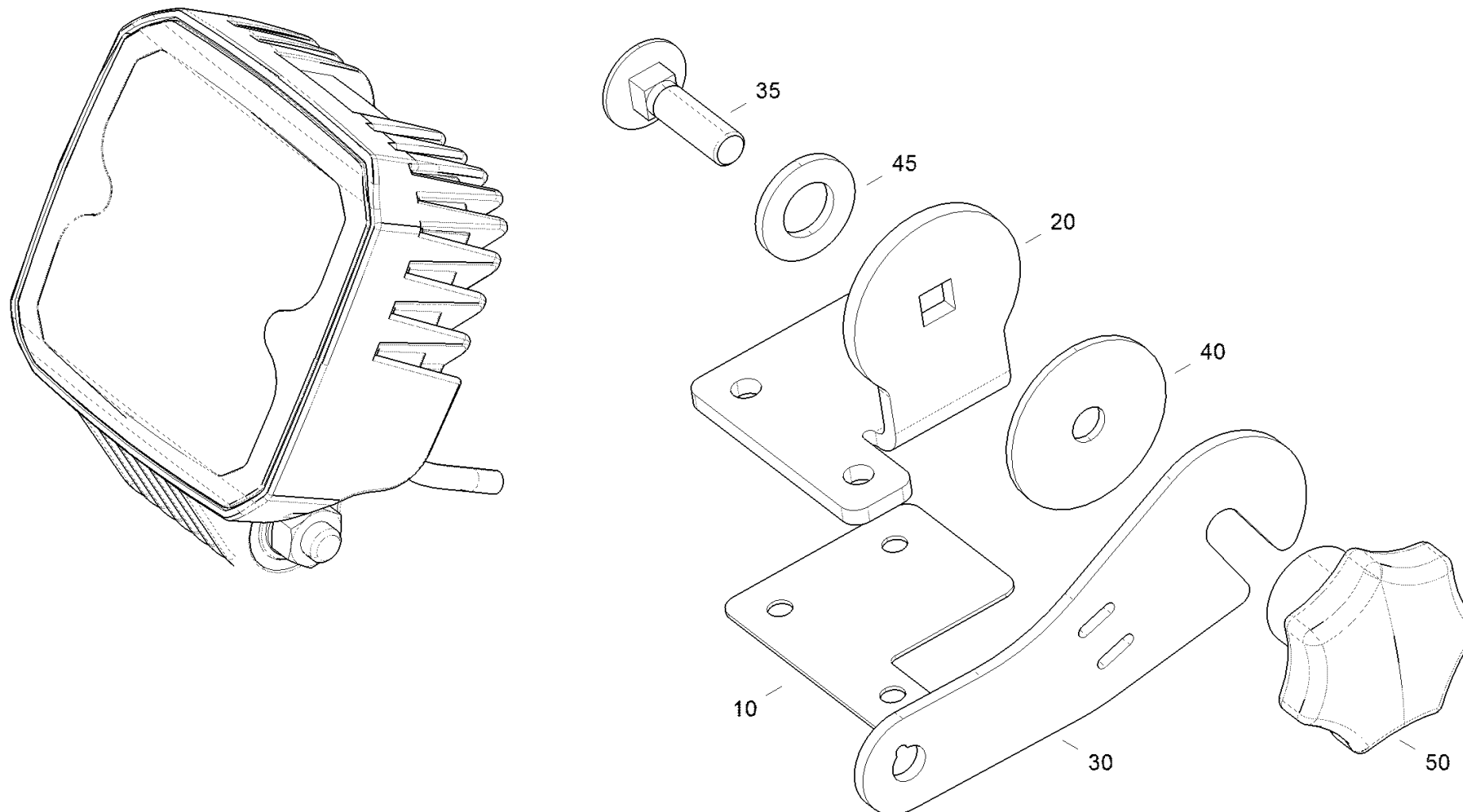
Item no.	Description	Remark	Article no.	Qty.	EUR/UNIT
--	Lighting, elimination sourrounding lighting		892663-001	1	
--	Lighting with sourrounding lighting		892663-002	1	
10	Working headlight	to serial number PC116L00238	897670	1	
10	Working headlight	from serial number PC116L00239	17972A-001	1	
11	<u>Seachlight bracket to serial number 250</u>		529288-002	1	
11	<u>Seachlight bracket from serial number 251</u>		24938A-001	1	
31na	Console for sourrounding lighting	35x42	898972-001	2	
32na	Hex nut with flange	M6	027069	4	
33na	Cylinder head screw with extremely low head and torx	M6x16	544609	4	
34na	Washer	Ø6,4xØ12x1,6	014918	4	
36na	Wiring harness, 2-pole	L=500mm	850201-001	1	
37na	Wiring harness, 2-pole	L=800mm	850201-005	1	
38na	Edge protection	L=200mm	005959	1	
40na	LED light	12V, 1W	855690	1	
41na	Fillister head screw with torx	M3x10	890577	2	
42na	Washer	Ø3,2xØ7x0,5	530571	2	
43na	Hex nut	M3	012665	2	



FOX (4. Generation)

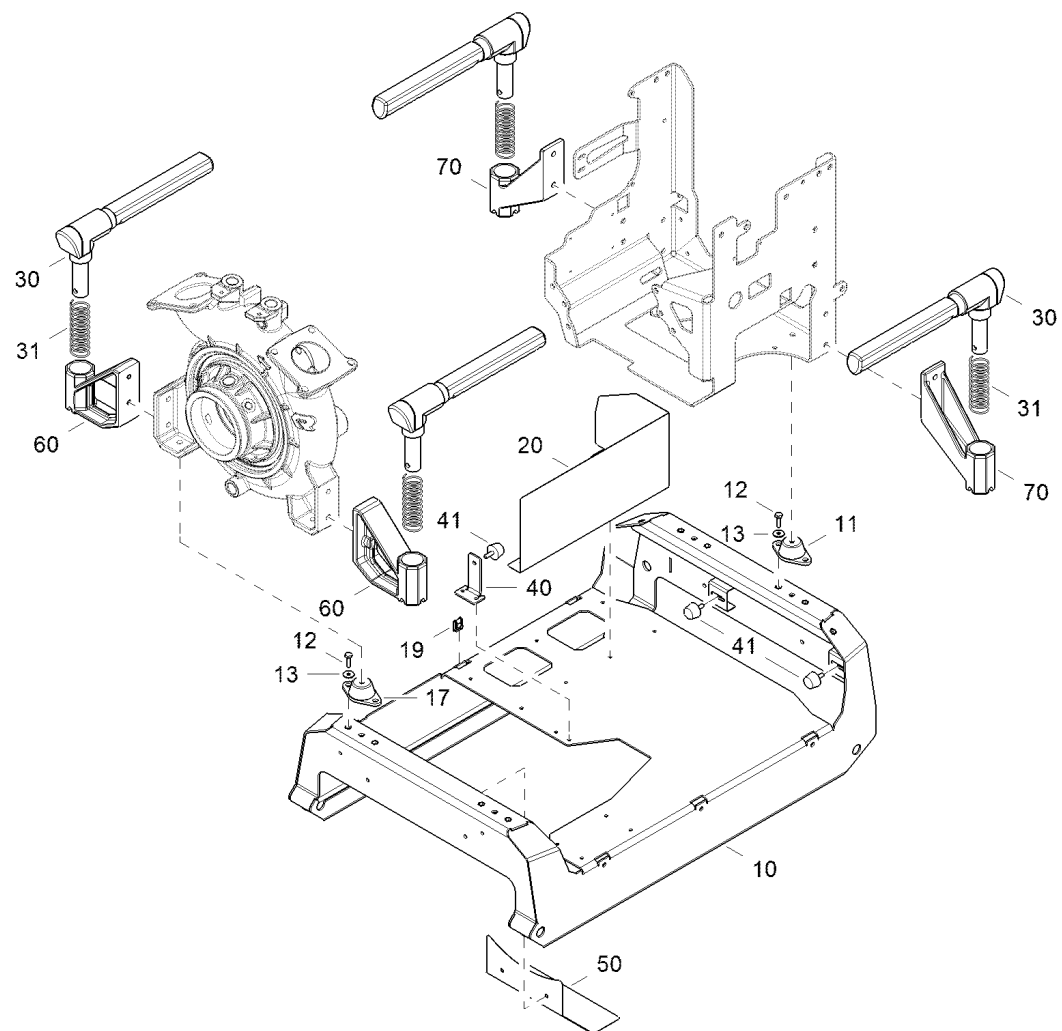
Item no.	Description	Remark	Article no.	Qty.	EUR/UNIT
10	Rubber pad		898845-001	1	
20	Searchlight console		527887-001	1	
30	Searchlight bracket		527888-002	1	
35na	Countersunk screw with square-end	M8x25	530299	1	
40	Brake disc		012453-001	1	
45	Disc spring		012659	2	
50	Handle		012209	1	
60	Countersunk screw with torx		964230	1	
61na	Countersunk screw with torx	M5x25	964231	1	
62na	Washer	Ø5,3xØ15x1,2	048144	3	
63na	Hex nut	M5	015052	1	
64na	Hex nut	M5	900206	2	
70na	Cable tie fastener	Material AL	049177	1	

FOX (4. Generation)



FOX (4. Generation)

Item no.	Description	Remark	Article no.	Qty.	EUR/UNIT
10	Rubber pad		898845-001	1	
20	Searchlight console		24941A-001	1	
30	Searchlight bracket		24943A-001	1	
35na	Countersunk screw with square-end	M8x25	530299	1	
40	Brake disc		012453-001	1	
45	Disc spring		012659	2	
50	Handle		012209	1	
60	Countersunk screw with torx		964230	1	
61na	Countersunk screw with torx	M5x25	964231	1	
62na	Washer	Ø5,3xØ15x1,2	048144	3	
63na	Hex nut	M5	015052	1	
64na	Hex nut	M5	900206	2	
70na	Cable tie fastener	Material AL	049177	1	



FOX (4. Generation)

Item no.	Description	Remark	Article no.	Qty.	EUR/UNIT
10	Supporting frame		890776-001	1	
11	Rubber-metal-insulator		319714	2	
12	Hexagon head screw		015502	8	
13	Washer		014956	8	
14na	Hexagon head screw	M8x25	015530	4	
15na	Washer	Ø8,4xØ24x2	014970	4	
16	Spring lock washer		003229	4	
17	Bearing		26819A	2	
18na	Cylinder head screw with extremely low head and torx	M6x16	544609	5	
19	Plate nut		089428	5	
20	Heat shield		892720-001	1	
21na	Hexagon head screw	M5x16	015490	5	
22na	Hex nut with flange	M5	027554	7	
23na	Washer	Ø5,3xØ10x1	014916	7	
30	<u>Handle</u>		899124-001	4	
31	Pressure spring for handhold		046427-001	4	
32na	Dowel pin	Ø8x45	046499	4	
33na	Dowel pin	Ø5x45	015753	4	
40	Tank bracket plate		898433-001	1	
41	Rubber buffer		008875	3	
42na	Washer	Ø6,4xØ12x1,6	014917	12	
43na	Hex nut with flange	M6	027069	3	
44na	Hexagon head screw	M5x16	015490	2	
50	Belt cover		898479-001	1	
51na	Hexagon head screw	M6x20	015502	2	
52na	Washer	Ø6,4xØ12x1,6	014917	2	

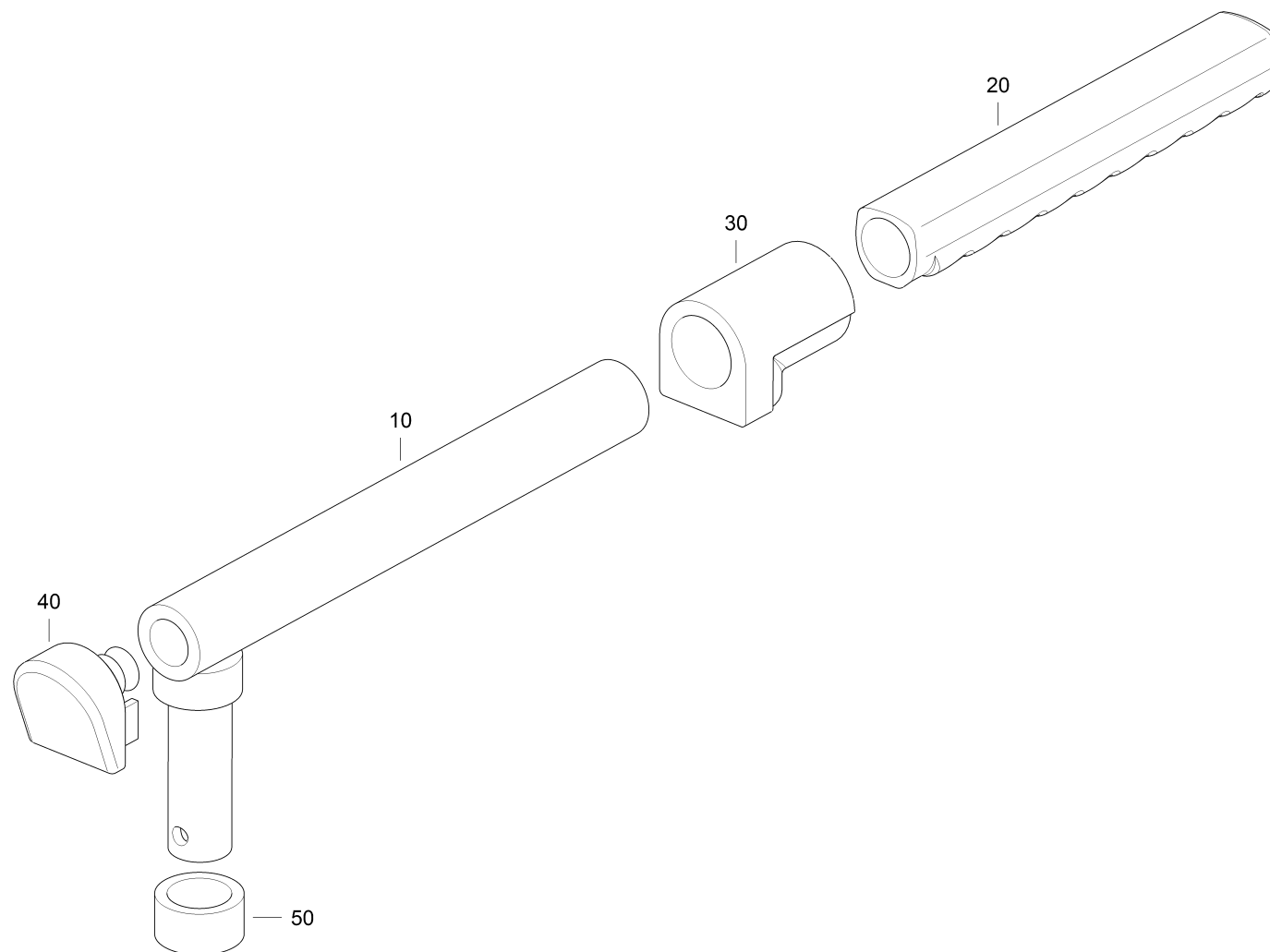
Supporting frame without lightform exterior

Release: 04, 08/2019 (Art. Nr. 12084A-003)

Page: 73

FOX (4. Generation)

Item no.	Description	Remark	Article no.	Qty.	EUR/UNIT
53na	Hex nut with flange	M6	027069	2	
60	Detent casing ahead		897832-001	2	
61na	Hexagon head screw	M8x25	015530	4	
62na	Washer	Ø8,4xØ16x1,6	014919	4	
70	Detent casing back		895398-001	2	
71na	Hexagon head screw	M8x30	015533	4	
72na	Washer	Ø8,4xØ16x1,6	014919	4	
73na	Washer	Ø8,4xØ24x2	014970	4	
74na	Hex nut	M8	572017	4	

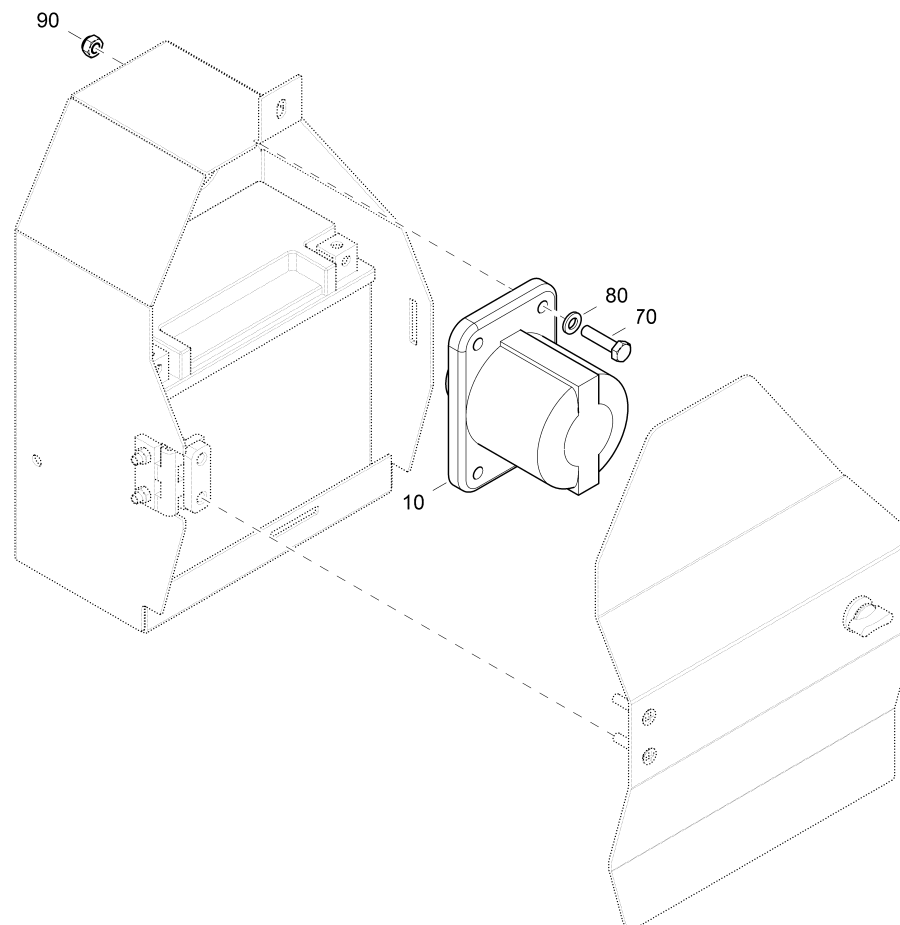


FOX (4. Generation)

Item no.	Description	Remark	Article no.	Qty.	EUR/UNIT
10	Handhold		527124-001	4	
20	Handle		046426-001	4	
30	Plastic bushing		529349-001	4	
40	Plastic cap		529350-002	4	
50	Handle bushing		529352-001	4	

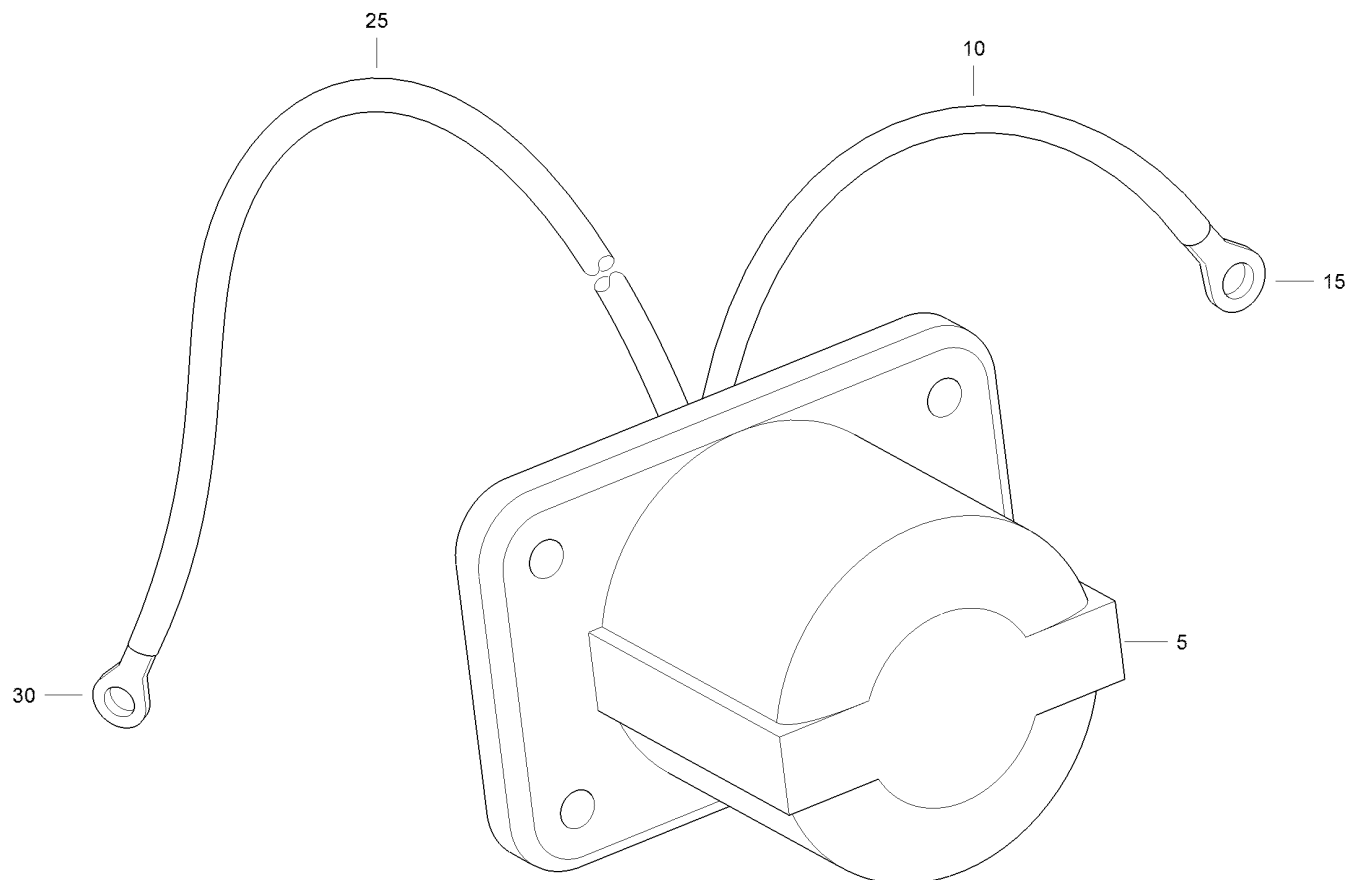
FOX (4. Generation)

Item no.	Description	Remark	Article no.	Qty.	EUR/UNIT
90	Lightform exterior LED accent strip, white		897657-001	4	
91	Console f. ambient lighting C11X		898972-001	2	
92	Hex nut M6 with locking teeth	M8 DIN 6926 A2	069322	4	
93	Socket head screw	M6 x16	544609	4	
94	Support TM 3S 10C		858733	11	



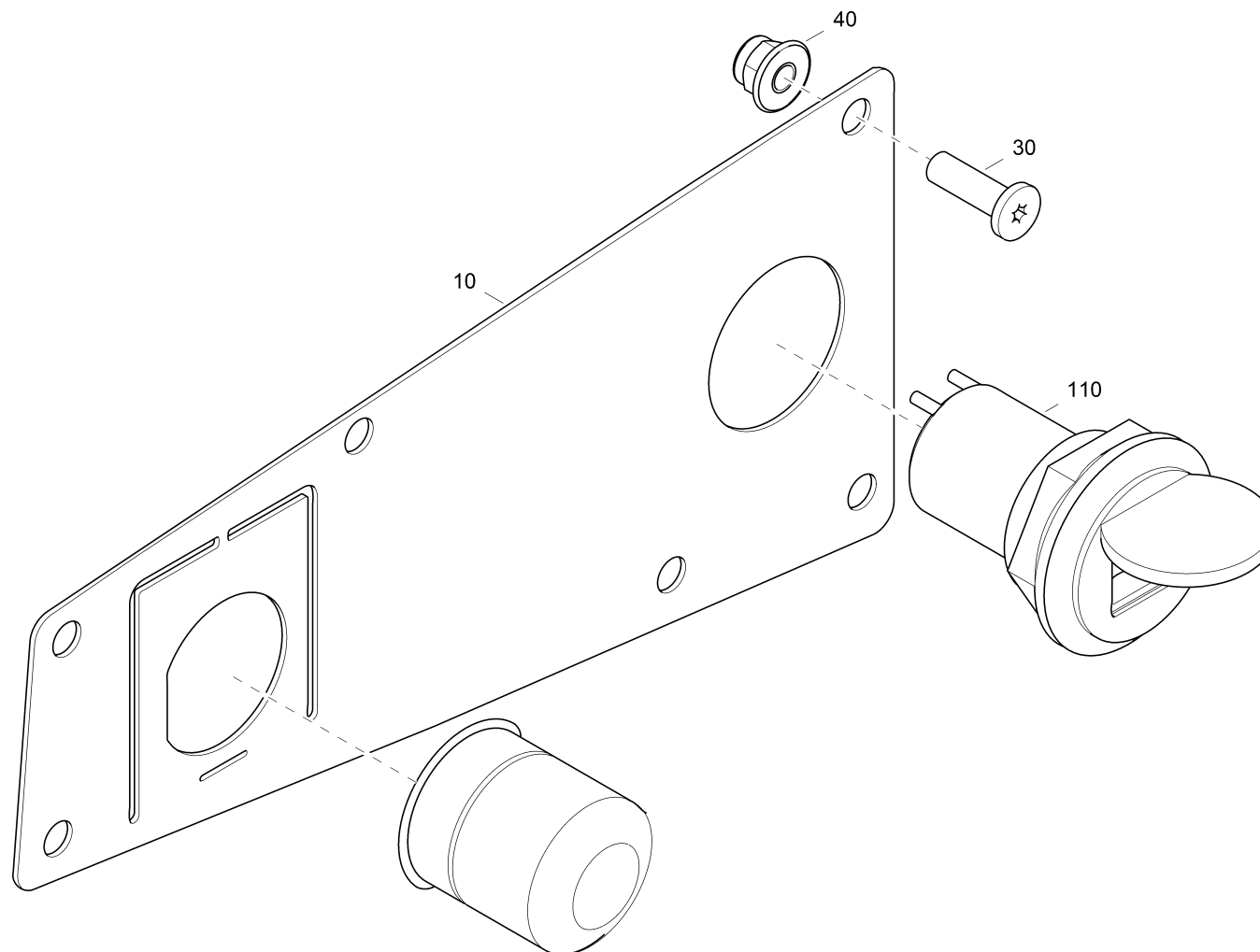
FOX (4. Generation)

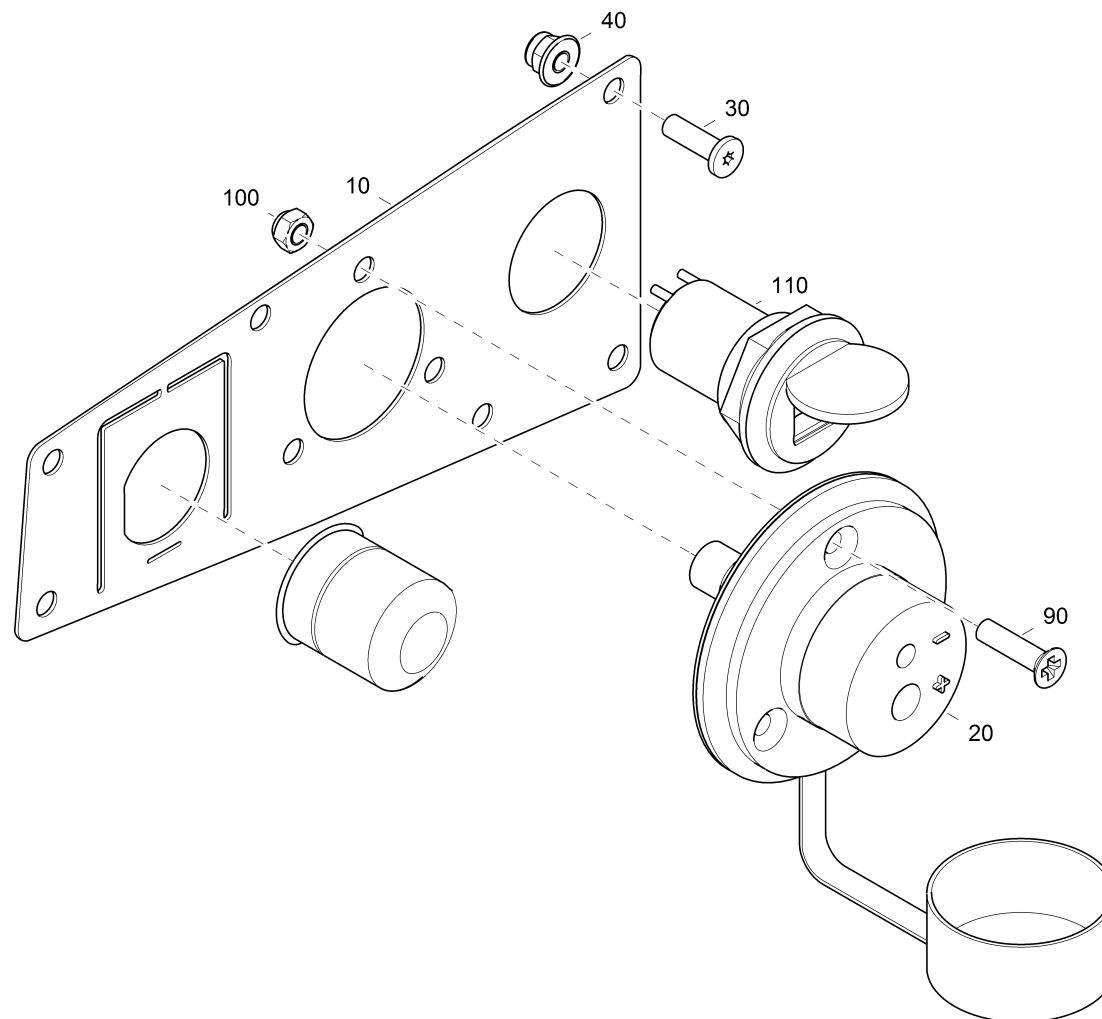
Item no.	Description	Remark	Article no.	Qty.	EUR/UNIT
--	Socket NATO		021876-006	1	
--	Elimination socket NATO		021876-007	1	
10	<u>Socket</u>		023377-006	1	
70	Hexagon head screw		015504	4	
80	Washer		014917	8	
90	Hex nut		015085	4	

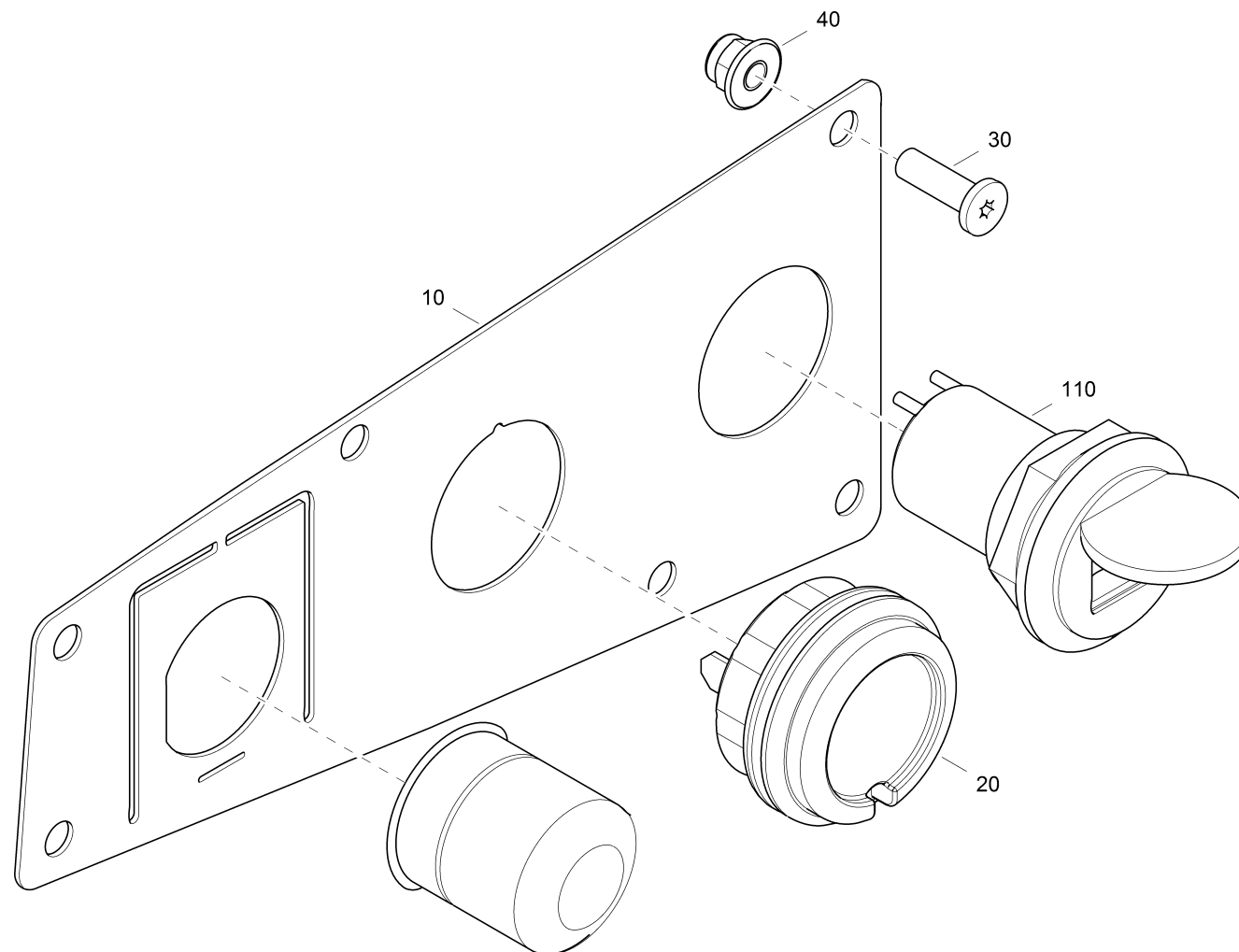


FOX (4. Generation)

Item no.	Description	Remark	Article no.	Qty.	EUR/UNIT
5	Socket		021956	1	
10	Wire		012959	1	
15	Cable lug		032271	1	
20na	Shrinking hose	Ø9-3mm	531479	1	
25	Wire		032420	1	
30	Cable lug		032271	1	
35na	Shrinking hose	Ø9-3mm	531479	1	
100na	Symbol plate "Battery 12V"		025270-001	1	







FOX (4. Generation)

Item no.	Description	Remark	Article no.	Qty.	EUR/UNIT
--	Fire CAN without charging socket		899035-001	1	
--	Fire CAN with charging socket DIN		899035-002	1	
--	Fire CAN with charging socket Magcode		899035-003	1	
--na	Fire CAN with charging socket BEOS		899035-004	1	
10	Plate	DIN	899029-001	1	
10	Plate	Magcode	899029-002	1	
10na	Plate	BEOS	899029-003	1	
10	Plate	Without charging socket	899029-004	1	
20	<u>Socket DIN</u>		529601-002	1	
20	<u>Magcode socket</u>		529601-003	1	
20na	Charging socket BEOS		865239-001	1	
30	Cylinder head screw with extremely low head and torx	M5x16	541542	6	
40	Hex nut with flange	M5	845191	6	
90	Countersunk screw with torx	M5x20	548964	3	
100	Hex nut	M5	900206	3	
110	USB-built-in socket		898488-002	1	
130na	Symbol plate "Battery 12V"	German 40x25	025720-001	1	
140na	Cable tie	TY 24 MX	022298	20	
150na	Cable tie fastener	Material AL	049177	17	

FOX (4. Generation)

Item no.	Description	Remark	Article no.	Qty.	EUR/UNIT
10na	Bougier pipe on reel	L=700mm	522140	1	
20na	Socket without cap	2-pole	033230	1	
25na	Surface seal		021098	1	
30na	Retaining tab with cap		001301	1	
40na	Cable lug	M3, blue	022948	2	
50na	Wire	L=750mm	001851	1	
60na	Wire	L=750mm	001879	1	
70na	Pin housing	2-pole	073578	1	
80na	Pin contact	1 - 1,5mm	073585	2	
230na	Single conductor seal	Yellow	073586	2	

FOX (4. Generation)

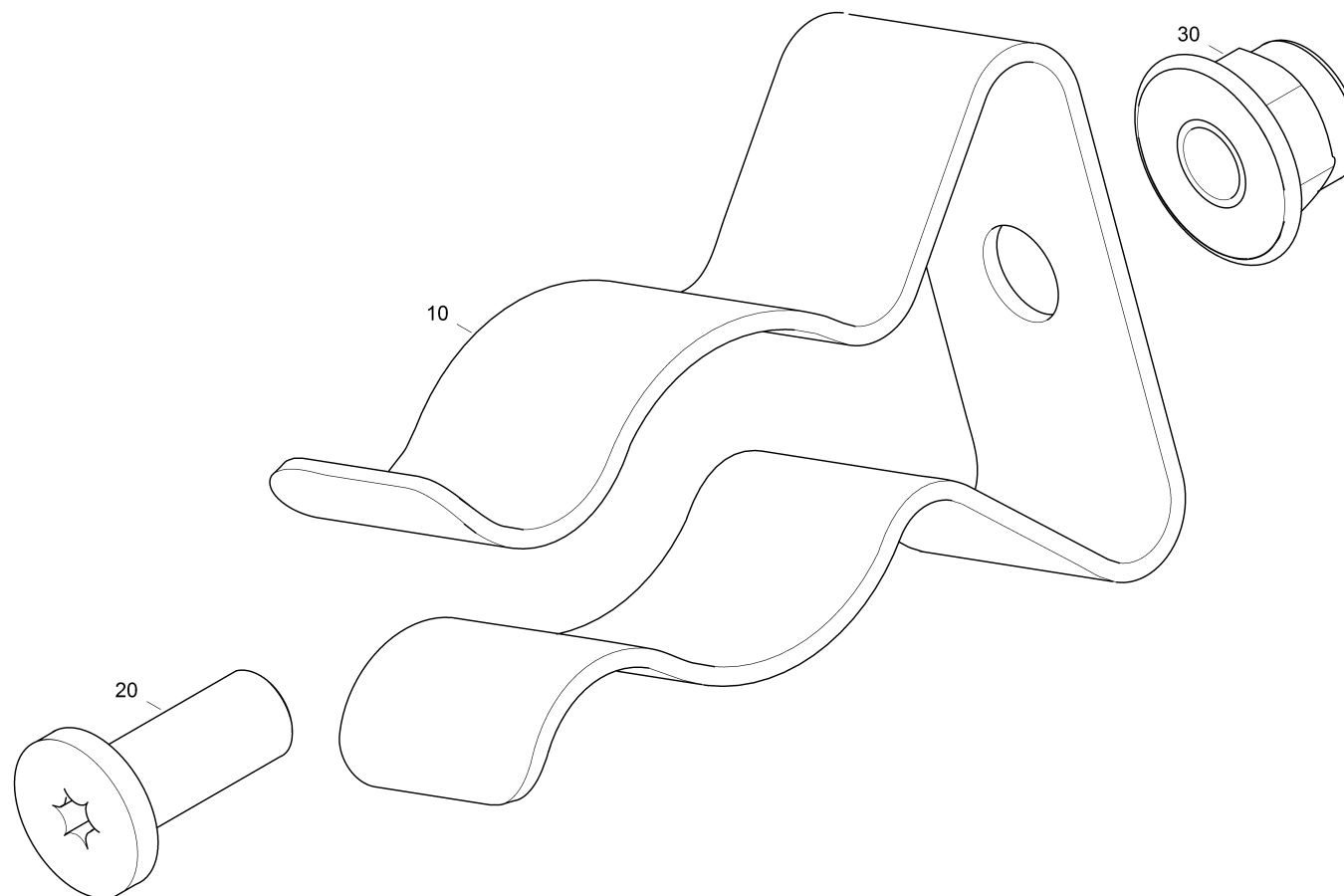
Item no.	Description	Remark	Article no.	Qty.	EUR/UNIT
10na	Bougier pipe on reel	L=700mm	522140	1	
20na	Socket	2-pole	063507	1	
70na	Blade receptacle mit grid	6,3x0,8	003884	2	
75na	Bushing insulator		055386	2	
110na	Wire	L=750mm	001851	1	
120na	Wire	L=750mm	001879	1	
200na	Pin housing	2-pole	073578	1	
210na	Pin contact	1 - 1,5mm	073585	2	
220na	Single conductor seal	Yellow	073586	2	

FOX (4. Generation)

Item no.	Description	Remark	Article no.	Qty.	EUR/UNIT
--na	Coupling system Storz A		534354-001	1	
--na	Coupling system Storz 100		534354-012	1	
10na	Coupling Storz A		243000	1	
10na	Coupling Storz 100		D03134	1	
11na	Gasket	Ø105xØ126x1	009521	1	
12na	Gasket	Ø105xØ126x0,5	009520	1	
20na	Blind coupling Storz A with chain		253000	1	
20na	Blind coupling Storz 100 with chain		D03135	1	
30na	Cord with 1 knot	L=640mm	034520-003	1	
40na	Crimp connector		034519	1	

FOX (4. Generation)

Item no.	Description	Remark	Article no.	Qty.	EUR/UNIT
--na	Coupling system Storz B		534355-001	2	
--na	Coupling system Storz 65		534355-003	2	
--na	Coupling system without blind coupling Storz B		534355-016	2	
10na	Coupling Storz B		242000	2	
10na	Coupling Storz 65		244360	1	
11na	Gasket	Ø60xØ75x1	009505	2	
20na	Blind coupling Storz B with chain		252000	2	
20na	Blind coupling Storz 65 with chain		253480	1	
30na	Cord with 1 knot	L=440mm	034520-001	2	
40na	Crimp connector		034519	2	

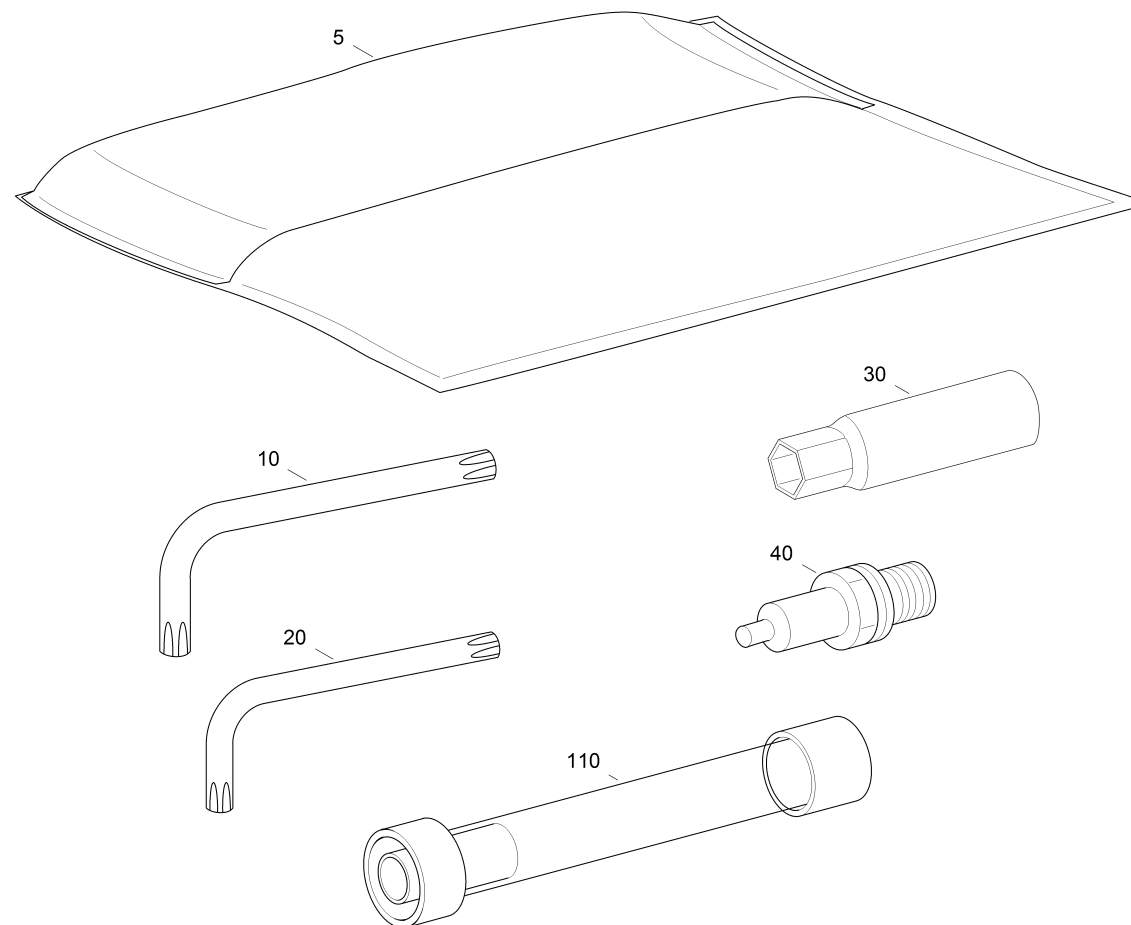


FOX (4. Generation)

Item no.	Description	Remark	Article no.	Qty.	EUR/UNIT
10	Friction spring		020847-002	2	
20	Cylinder head screw with extremely low head and torx		566009	2	
30	Hex nut with flange		845191	2	

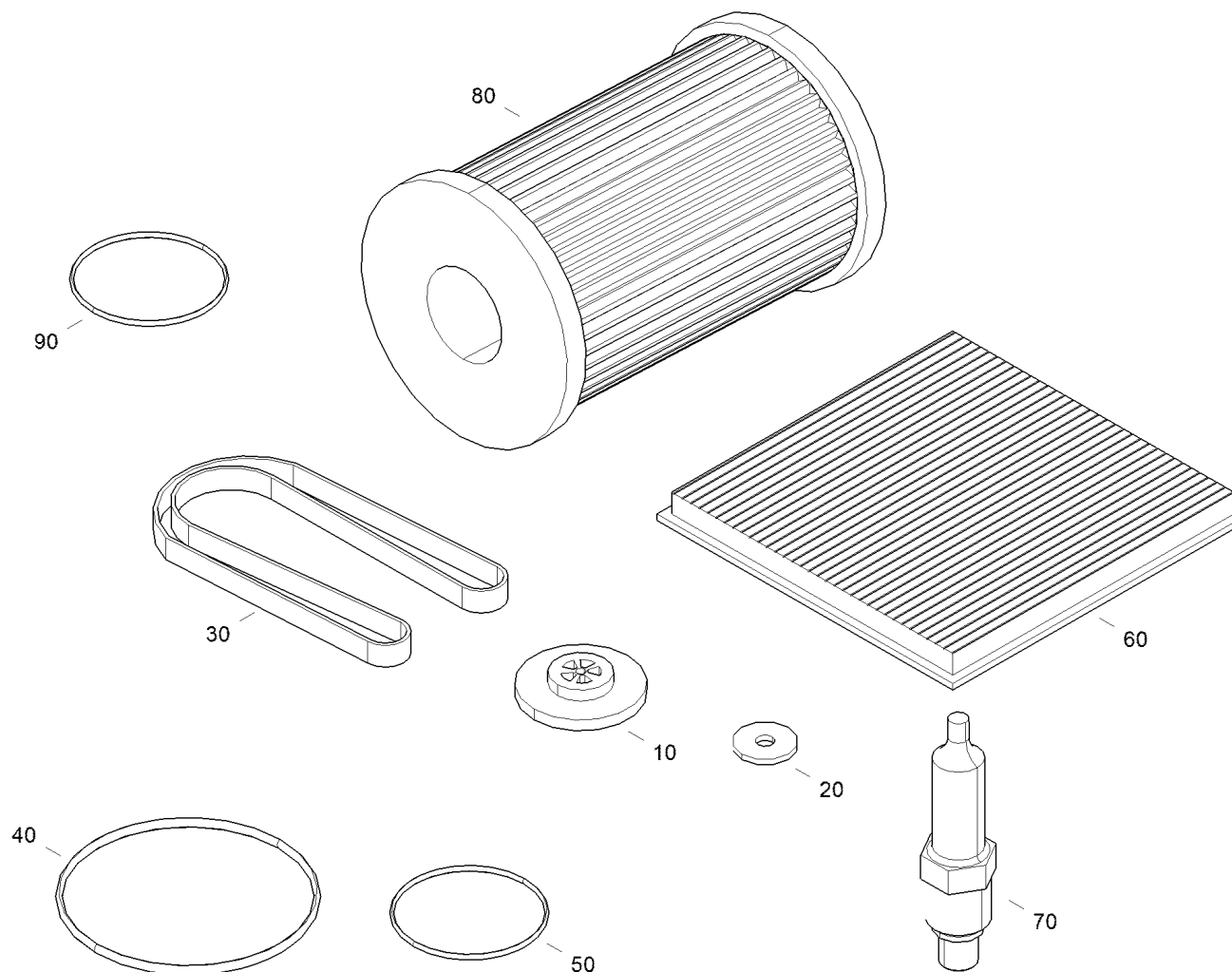
FOX (4. Generation)

Item no.	Description	Remark	Article no.	Qty.	EUR/UNIT
--na	Accessories for standard/language	German	892665-002	1	
--na	Accessories for standard/language	English	892665-003	1	
--na	Accessories for standard/language	Slovenian	892665-012	1	
10na	Blind rivet	4x3,4	031607	4	
15na	Eloxal label lettered	105x74	891928-102	1	
20na	Operating plate	German 200x165	895598-002	1	
20na	Operating plate	English 200x165	895598-003	1	
20na	Operating plate	Slovenian 200x165	895598-012	1	
30na	Operating plate relay and fuses	German / English	899201-001	1	
50na	Operating plate "Min. ROZ95"	40x42	530137-001	1	
60na	Sticker warning symbols	206x31	842568-002	1	
70na	Operating plate inspection plate for cooling water	Ø50, blue	899873-001	1	
80na	Operating plate inspection plate for oil 5W40	Ø50, yellow	566442-001	1	
90na	Operating plate inspection plate for oil 15W40	Ø50, yellow	566442-002	1	
100na	Symbol plate Logo 2010	German 200x28,9	855691	2	
110na	Symbol plate Logo 2010	German Ø130	576833	2	



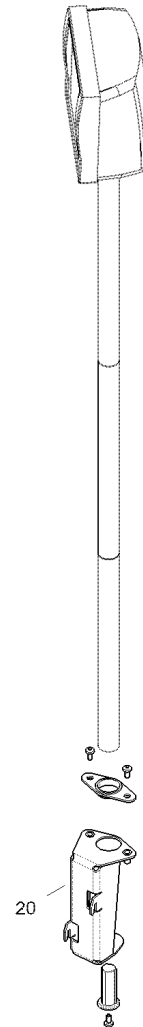
FOX (4. Generation)

Item no.	Description	Remark	Article no.	Qty.	EUR/UNIT
5	Toolbag	350x180	047009	1	
10	Offset screwdriver	TX 30	895069	1	
20	Offset screwdriver	TX 20	539922	1	
30	Beta spark plug kit	5/8 / 16mm	530590	1	
40	Spark plug		899051	3	
110	Oil drain hose	L=250mm	899089	1	
120na	Puller tool for impeller		26603AV001	1	
130na	Tool f. impeller	Fox S	979097-001	1	



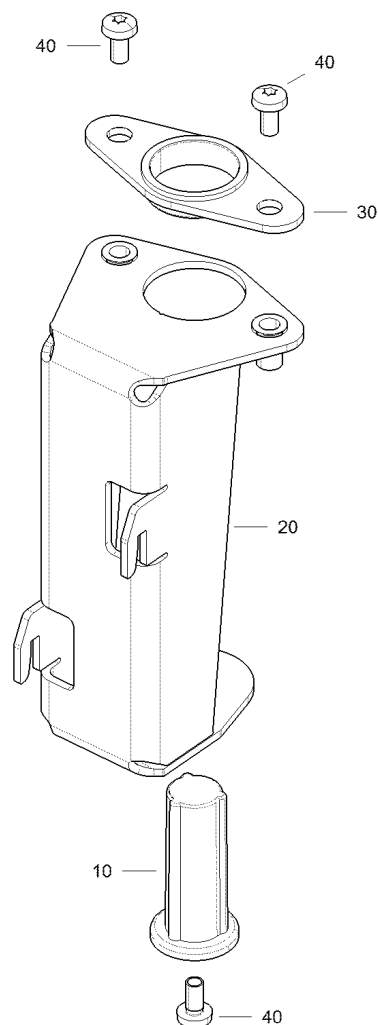
FOX (4. Generation)

Item no.	Description	Remark	Article no.	Qty.	EUR/UNIT
10	Valve plate	Ø100mm	046454-001	2	
20	Inlet valve plate	Ø8xØ37	074518-001	2	
30	Ribbed belt		868112	1	
40	O-ring	Ø110xØ3	014341	2	
50	O-ring	Ø24xØ3	014265	2	
60	Air filter element	253x149x35	898583	1	
70	Spark plug		899051	3	
80	Oil filter		05169A	1	
90	O-ring for oil filter	Ø59,52xØ2,62	05173A	1	



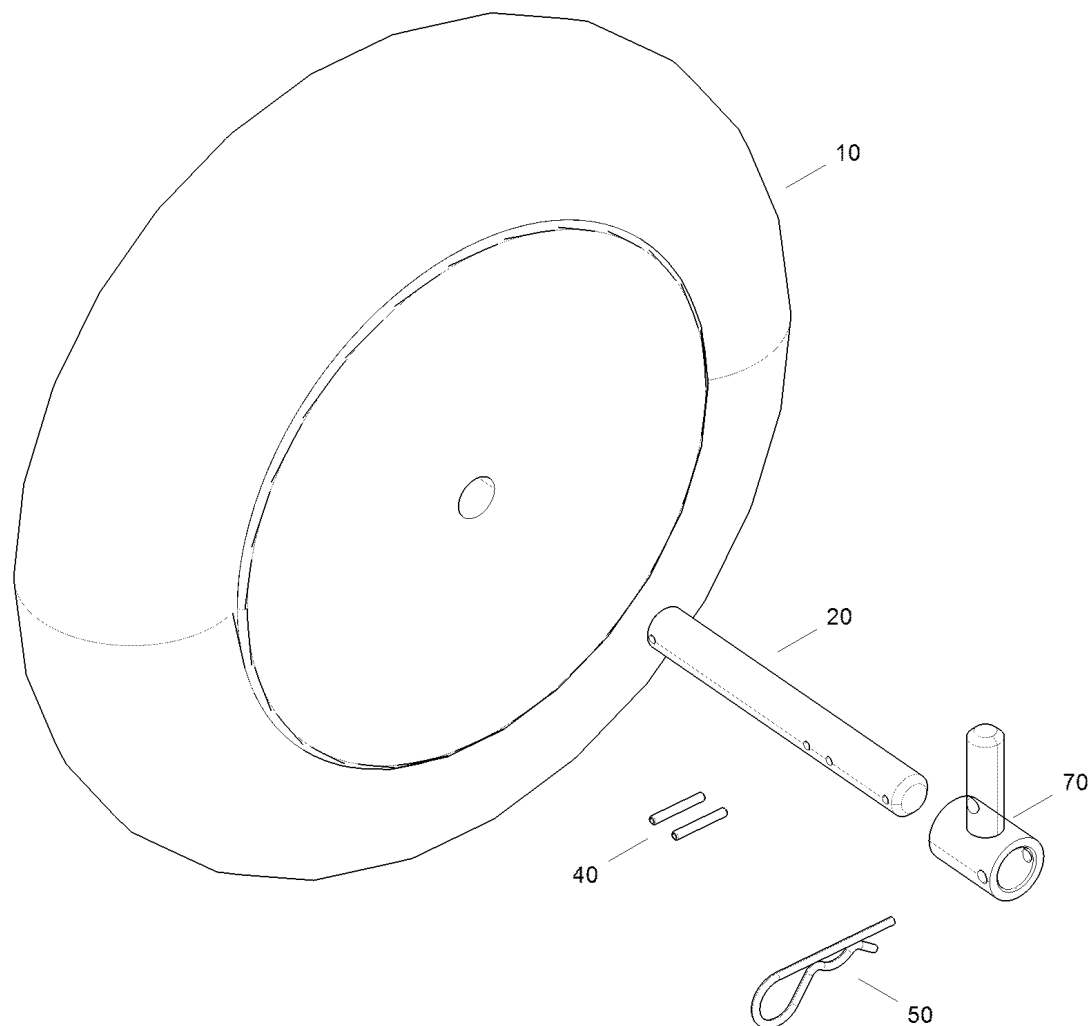
FOX (4. Generation)

Item no.	Description	Remark	Article no.	Qty.	EUR/UNIT
10na	RS 14 Kit f. RLS1000		319630	1	
11na	Pan head screw	M3x16 DIN 7985 A2-70	530838	2	
12na	Washer	DIN 125 A4	530571	2	
13na	Hex nut	M3 DIN 985 A4	12665	2	
20	<u>Bracket for RLS Headlight</u>		319614-002	1	
30na	Relais w. diode	12V/20,30A W	69441	1	



FOX (4. Generation)

Item no.	Description	Remark	Article no.	Qty.	EUR/UNIT
10	Adapter f. light tower RLS1000		319798	1	
20	Supporting frame f. RLS1000		319796-002	1	
30	Flange bearing	DI30	319797	1	
40	Pan head screw	M6 X12 DIN 7985 A2-70	530872	3	

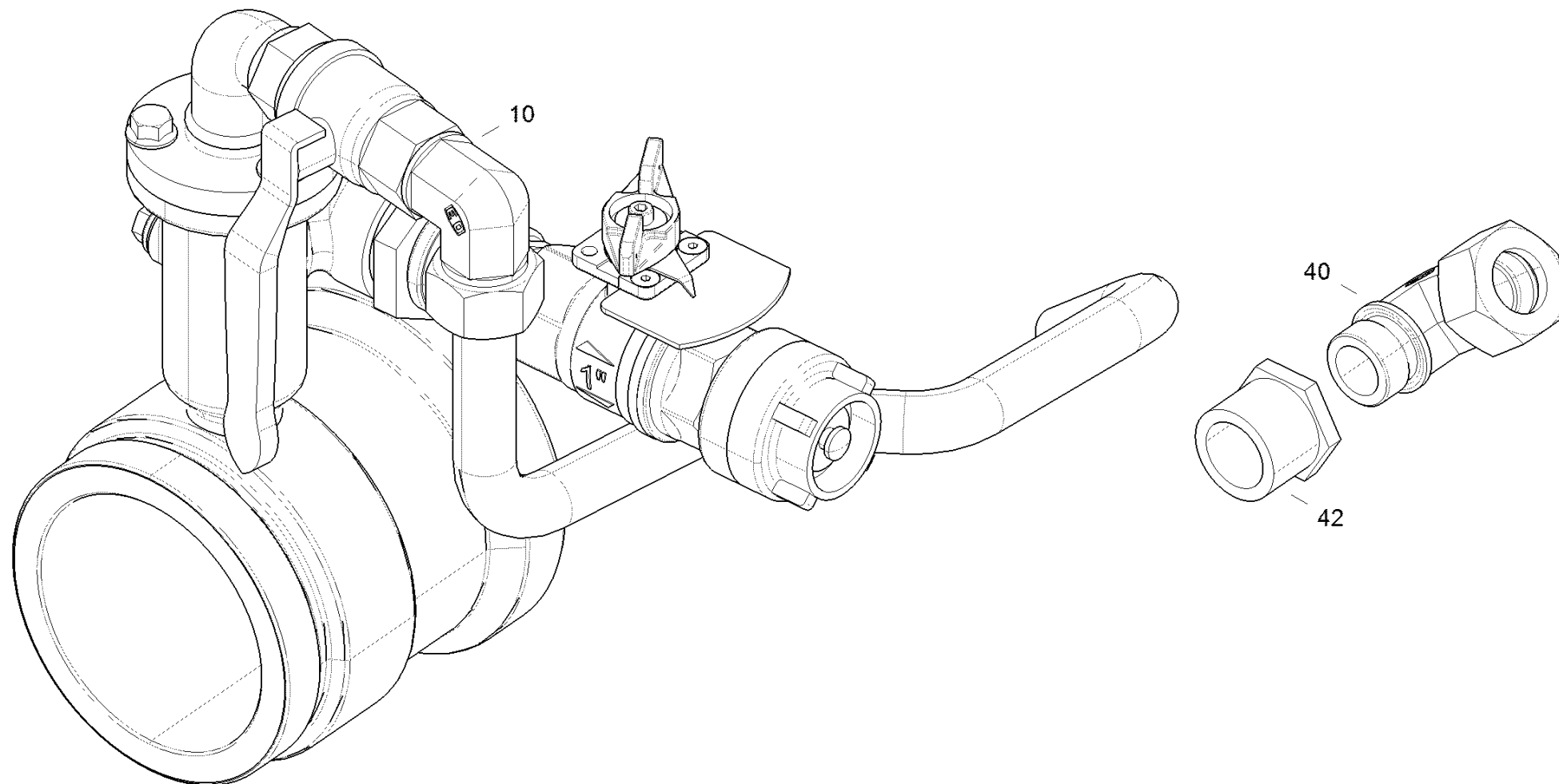


FOX (4. Generation)

Item no.	Description	Remark	Article no.	Qty.	EUR/UNIT
10	Wheel w. Air Tire	16x4	48205	2	
20	Transport wheel axle		048206-002	2	
30na	Washer	DIN 125	14932	8	
40	Dowel pin	DIN 1481	15743	6	
50	Plug	DIN 11024 4	7118	2	
60na	Cord w. 1 knot	400mm	034520-001	2	
70	Axle bearing f. TS C11X		052619-003	2	

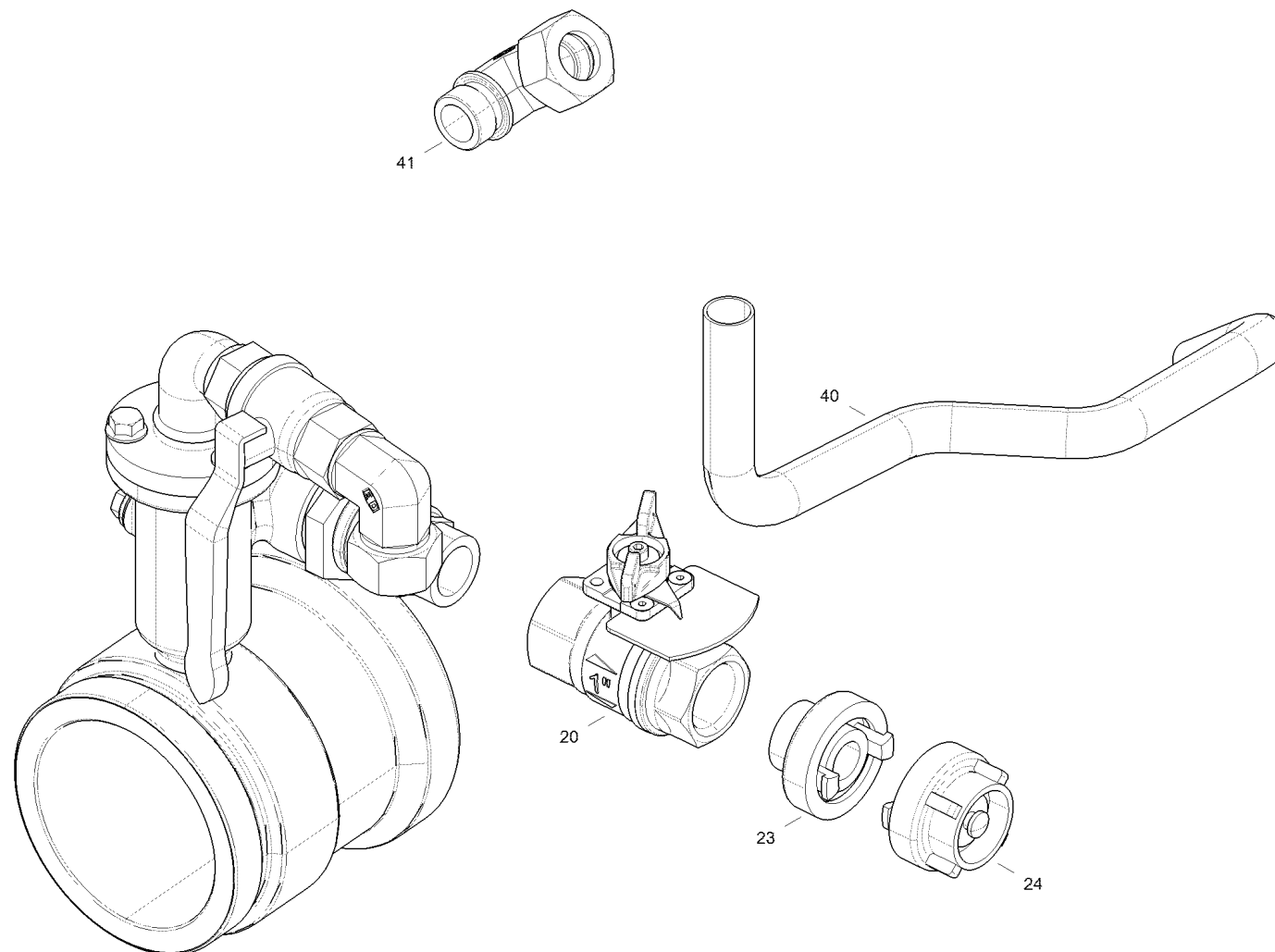
FOX (4. Generation)

Item no.	Description	Remark	Article no.	Qty.	EUR/UNIT
10	Pressure sensor		897603	1	
12	Straight femal connection push-in	6x1/4"	73355	1	
30	L-Connection push-in	6x6x1/4"	73350	1	
40	Single pipe polyurethan	4x6 black	533144	1	



FOX (4. Generation)

Item no.	Description	Remark	Article no.	Qty.	EUR/UNIT
10	<u>Foam proportioner for Fox pump mounting</u>		24301A-001	1	
40	90° connection		25397A	1	
42	Reduction nipple	G 1-3/4"	050500	1	



FOX (4. Generation)

Item no.	Description	Remark	Article no.	Qty.	EUR/UNIT
10na	Foam proportioner for Fox pump mounting		24302A-001	1	
11na	Clamping piece f. FIXMIX		545419-002	1	
12na	Threaded pin		864863	1	
20	Metering valve		23078A	1	
23	Adapter Storz male thread	D= 1"	240400	1	
24	Blank cap w. chain Storz	D=25mm	250000	1	
30na	Rubber gasket		009348	1	
31na	Gasket		009520	2	
40	Pipe f. operating water		24334A-001	1	
41	90° connection		25397A	1	
50na	Cord with 1 knot		034520-001	1	
51na	Crimp connector		034519	1	