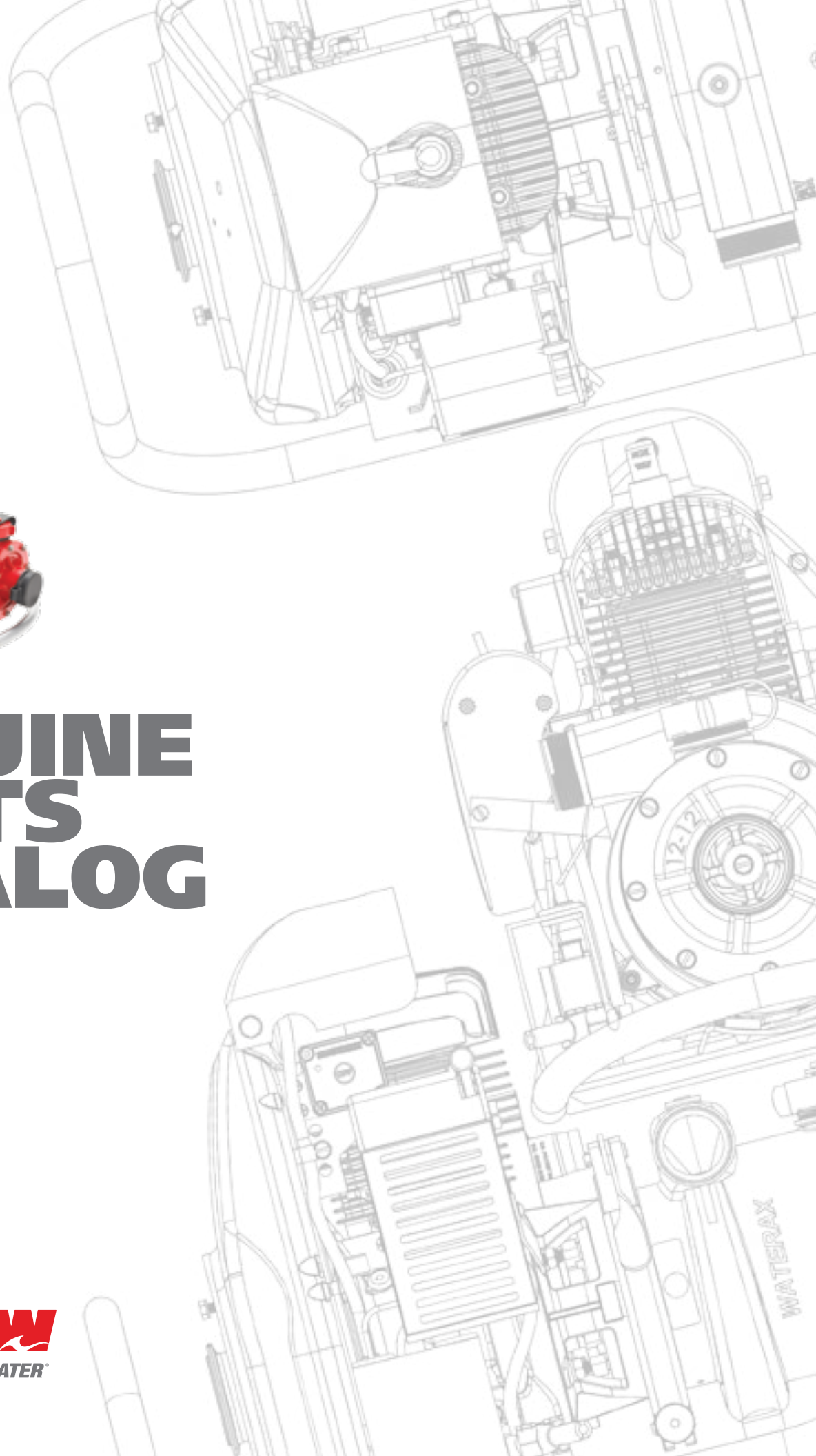




# GENUINE PARTS CATALOG

**WATERAX**   
WE MOVE WATER®





## COMPANY PROFILE

Trusted by wildland firefighters around the world, **WATERAX** sets the industry standard by developing innovative portable fire pumps and water-handling equipment designed to withstand demanding applications and rugged environments. With a time-tested legacy of reliability, **WATERAX** carries on its mission to place powerful, precision-engineered pumps into the hands of the men and women who protect our lives and property.

Benchmarks in the wildland firefighting community, our trustworthy MARK-3<sup>®</sup> and BB-4<sup>®</sup> centrifugal fire pumps have been top sellers and established leaders for generations. Many pumps sold decades ago are still in operation today, and are maintained with genuine spare parts.

## We've got your back

A product is only as good as the service behind it. At **WATERAX**, we back our quality products with steadfast service. Trust us to be there when you need us.

Quality. Reliability. Trust. Our pumps are as tested and proven as the men and women who use them every day.

## Don't get caught with your pumps down

A pump failure at a critical time out in the field can result in devastating losses. Consequently, **WATERAX** is tirelessly dedicated to providing the highest quality genuine pump parts. The care and precision taken in producing these parts ensures the reliability that has made **WATERAX** pumps the benchmark of excellence in forest firefighting.

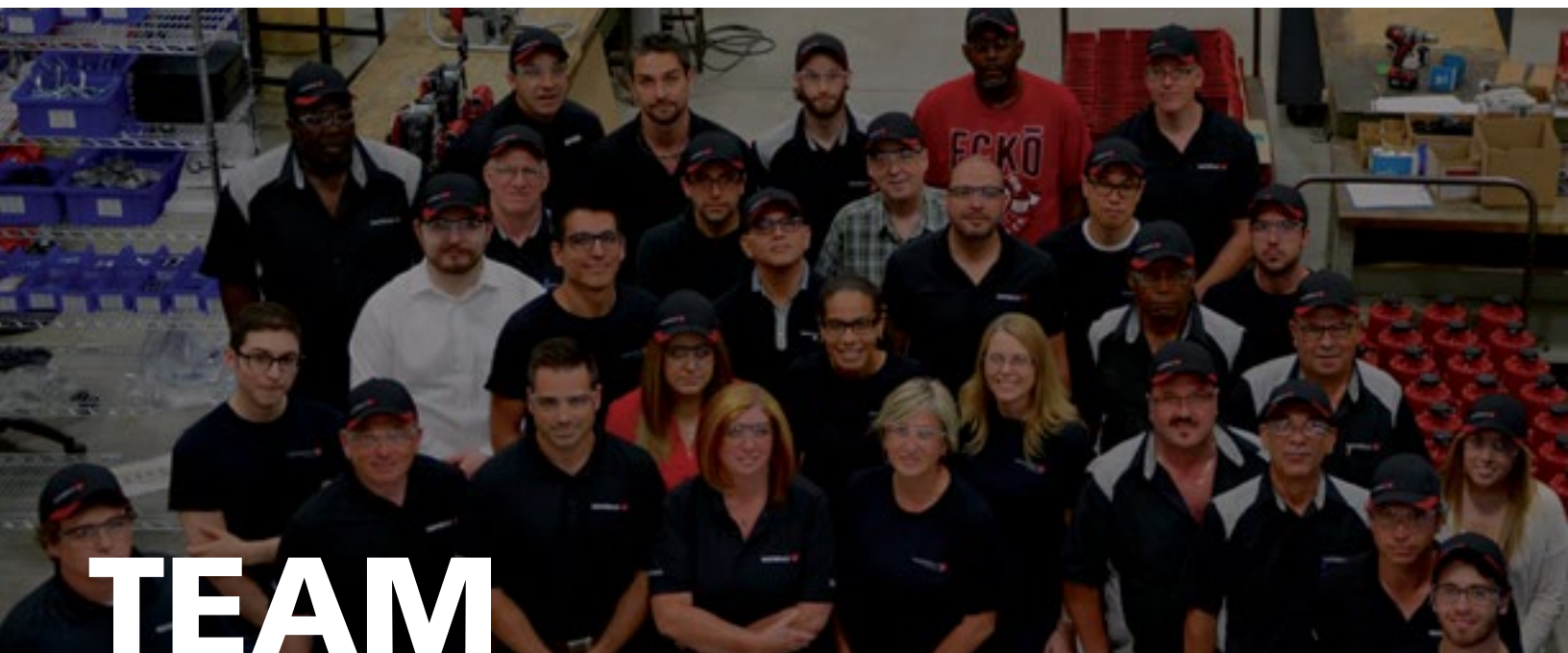
Our commitment to continuous improvements through innovative R&D ensures design tolerances set specifically for **WATERAX** pumps and ensure long term optimal performance and operation. New and improved genuine parts such as our sealed bearing and exclusive superior mechanical rotary seal make our multi-stage pumps free of maintenance in the field, more reliable and less costly to operate.



**HEAD OFFICE**



**WAREHOUSE**



**TEAM**



## Table of content

<b>WATERAX 185cc Engine (MARK-3)</b> .....	<b>8</b>
Carburetor .....	10
Air Filter .....	12
Fuel Line.....	14
Fan Cowl (Housing) .....	18
Rewind Starter.....	20
Muffler .....	21
Frame .....	22
CDI assembly.....	23
Digital ignition solution (DIS).....	24
Digital overspeed switch (DOS) .....	25
Spark plug for 185cc engine.....	28
Stator .....	29
Magneto .....	30
Cutout switch for point ignition .....	32
Armature plate for point ignition.....	34
Ignition cable for point ignition.....	35
On-off toggle switch.....	36
Cylinder.....	37
Cylinder head with decompression switch .....	38
Crankcase.....	40
Crankshaft assembly, pistons and shims .....	42
Cylinder & piston kit nikasil.....	44
Piston / cylinder matching.....	45
<b>High-Pressure Pump Ends</b> .....	<b>48</b>
12-16S / 4 Stage .....	50
18-16S / 3 Stage .....	52
25-16S / 2 Stage .....	54
<b>Mid-Range Pump Ends</b> .....	<b>56</b>
B-2 / 2 Stage.....	58
B2X / 2 Stage.....	60
Open bearing pump parts .....	62
<b>Drive Assembly</b> .....	<b>64</b>
Drive Assembly Vertical.....	66
Drive Assembly Horizontal.....	68
Drive Assembly Hub .....	69
Pump Clamp .....	70





<b>Model Specific Parts</b> .....	<b>72</b>
BB-4-23 .....	74
BB-4-18 .....	80
B2X-23 .....	88
B2X-18 .....	96
BB-4 / B2X-D902.....	104
STRIKER .....	108
VERSAX .....	112
MINI-STRIKER.....	120
RANCHER .....	124
OT-4NX .....	128
<b>Tool Kits</b> .....	<b>130</b>
Engine Tool Kit .....	130
Pump Test Kit.....	131
Pump End Tool Kit.....	132
Pump Tool Kit .....	133
<b>Accessories</b> .....	<b>134</b>
MCP Control Panel .....	135
PMSCP Control Panel.....	136
B-7498 Electric Primer .....	138
Electric Primer Kit.....	140
Guzzler Primer Kit .....	142
Scotty Foam Kit .....	143
Check Valve Manifold .....	144
B-5258 Foot Valve.....	145
B-5980NH Hand Primer .....	146
<b>Warranty</b> .....	<b>148</b>

## THE WATERAX WAY

**WATERAX** is proud to continue its almost century-long tradition of designing, manufacturing and supporting high-performance and durable portable pumps. The key to its success lies in its ability to craft high quality components which form the cornerstone of superior and dependable pump performance.

### Detachable multi-stage pump ends

**WATERAX** performance and dependability come from our superior multi-stage pump end design, patented in 1958, that provides unrivaled pressure and volume.

- Unique blister resistant mechanical rotary seal to prolong pump end longevity.
- Maintenance-free sealed bearing to avoid the need for greasing the pump end in the field.
- Anodized aluminium impellers and pump body which eliminate galvanic corrosion common with bronze impellers.

### Low maintenance drive assembly

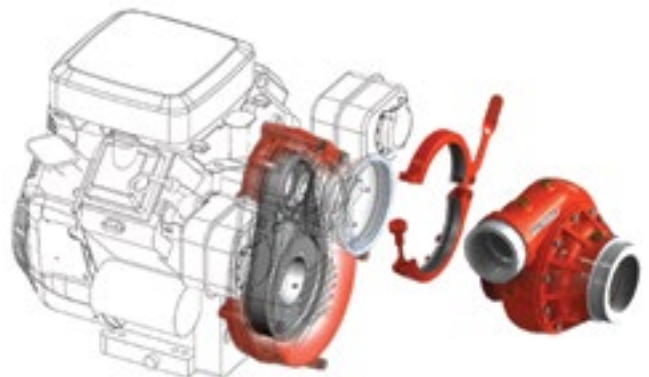
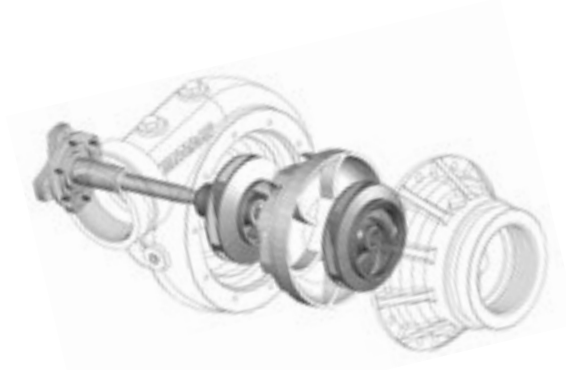
Originally designed for the BB-4, the **WATERAX** low maintenance drive assembly has been time-tested under the most difficult conditions and proven to be dependable and reliable for more than 40 years.

### Innovative quick-release clamp

Our innovative pump end quick-release clamp provides ease of maintenance without having to disassemble the complete unit, thus significantly reducing equipment downtime, which can prove crucial in emergency situations.

### Convenient 2-in-1 system

The **WATERAX** 2-in-1 system enables the easy interchanging of pump ends in the field. The platform is also compatible with either a high-pressure or a mid-range pump end, providing users with maximal performance flexibility at the lowest possible cost.





## THE WATERAX PLATFORM

**WATERAX** offers of a complete line of high performance pump ends suited to meet the most difficult water handling requirements. The **WATERAX** platform is composed of a low maintenance drive assembly, a mid-range pump end and three high-pressure pump ends. The platform's most unique feature is its quick-release clamp system which allows for the hook up of any **WATERAX** pump end to its drive assembly as well as almost instantaneous pump end detachment and interchange. This reduces equipment downtime, increases its flexibility and significantly cuts costs. These components are ideal for original equipment manufacturers looking to adapt high quality pump ends to their respective fire apparatus.

### High-pressure pump ends

The **WATERAX** high-pressure centrifugal pump ends are offered in 4-stage, 3-stage, and 2-stage configurations. They deliver pressure up to 440 PSI (30.3 BAR) and flows reaching 106 GPM (401 L/min) and are ideal pump ends for moving water over long distance and high elevation.



**18-16S** / 3-Stage



**25-16S** / 2-Stage



**12-16S** / 4-Stage

### Mid-range pump end

The **WATERAX** B2X™ is a mid-range 2-stage centrifugal pump end that delivers pressure up to 200 PSI (13.8 BAR) and flows reaching 300 US GPM (1136 L/min). With strong pressure and volume, it's the ideal pump end for dual attack lines dedicated to wildland and urban interface operations.

It is also an excellent choice for high volume remote watering, booster line applications, brush trucks, slip-on units and for uphill tandem operations. The suction and discharge use a combination of Victaulic and national pipe threads.



**B2X** / 2-Stage

### Drive assembly

**WATERAX** offers an outstanding drive assembly that boosts the performance of pump ends. The drive assembly increases the speed of pump revolutions resulting in increased pressure and volume. The drive assembly is used with the **WATERAX** quick-release clamp to enable the coupling of the drive assembly to the desired pump end.



**C-7220** / Drive Assembly

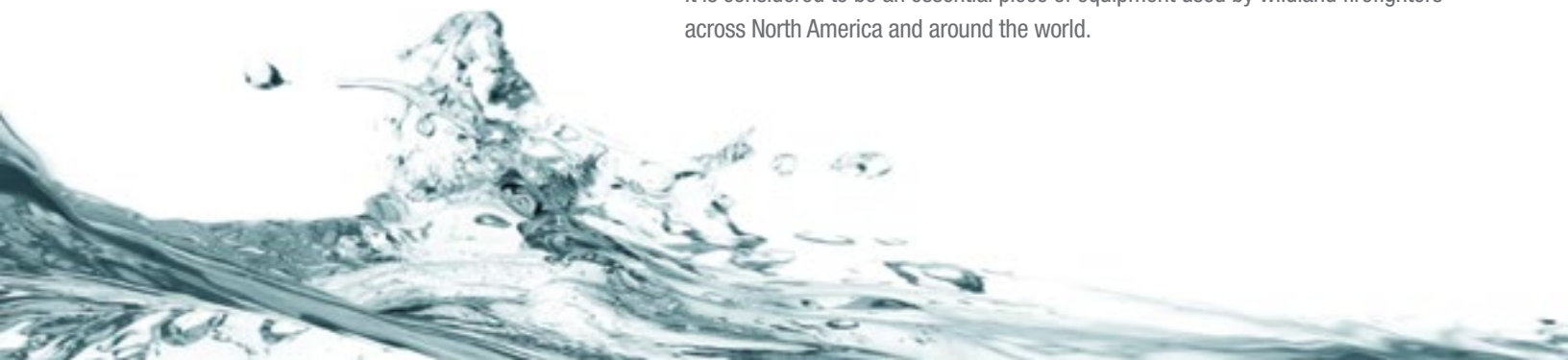


# MARK-3<sup>®</sup>



The MARK-3<sup>®</sup> is known as the “heart of the suppression system.” Renowned in the industry, the MARK-3<sup>®</sup> was first introduced in 1964 when WAJAX (as **WATERAX** was known back then) coupled their patented 4-stage detachable pump end to a 185cc 2-stroke engine. It quickly became the standard wildland portable fire pump used by forestry agencies around the world. A truly outstanding and reliable performer, the MARK-3<sup>®</sup> fire pump is designed to withstand the rigors of firefighting and it is the core of most water delivery systems in wildland operations.

The MARK-3<sup>®</sup> successfully passed the USDA Forest Service 100-hour endurance test at San Dimas and requalified under QPL-5100-274 as of August 2015. It is considered to be an essential piece of equipment used by wildland firefighters across North America and around the world.







Visit the exclusive **WATERAX** Genuine Parts Store. Order all of your **WATERAX** genuine parts here:



[SHOP US WEBSITE >](#)

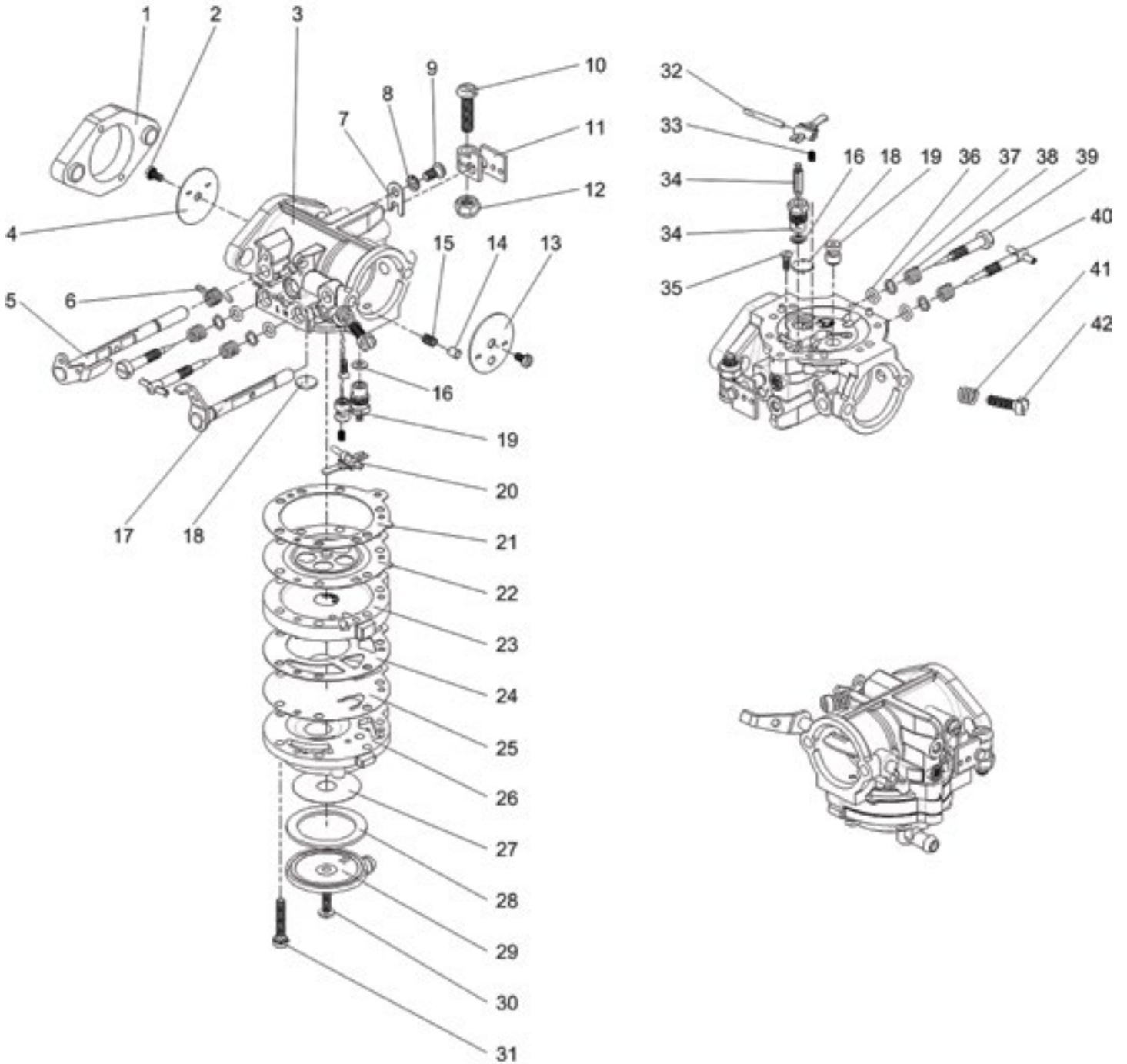


[SHOP CANADIAN WEBSITE >](#)

**WATERAX**   
**WE MOVE WATER®**



# WATERAX 185CC ENGINE (MARK-3)

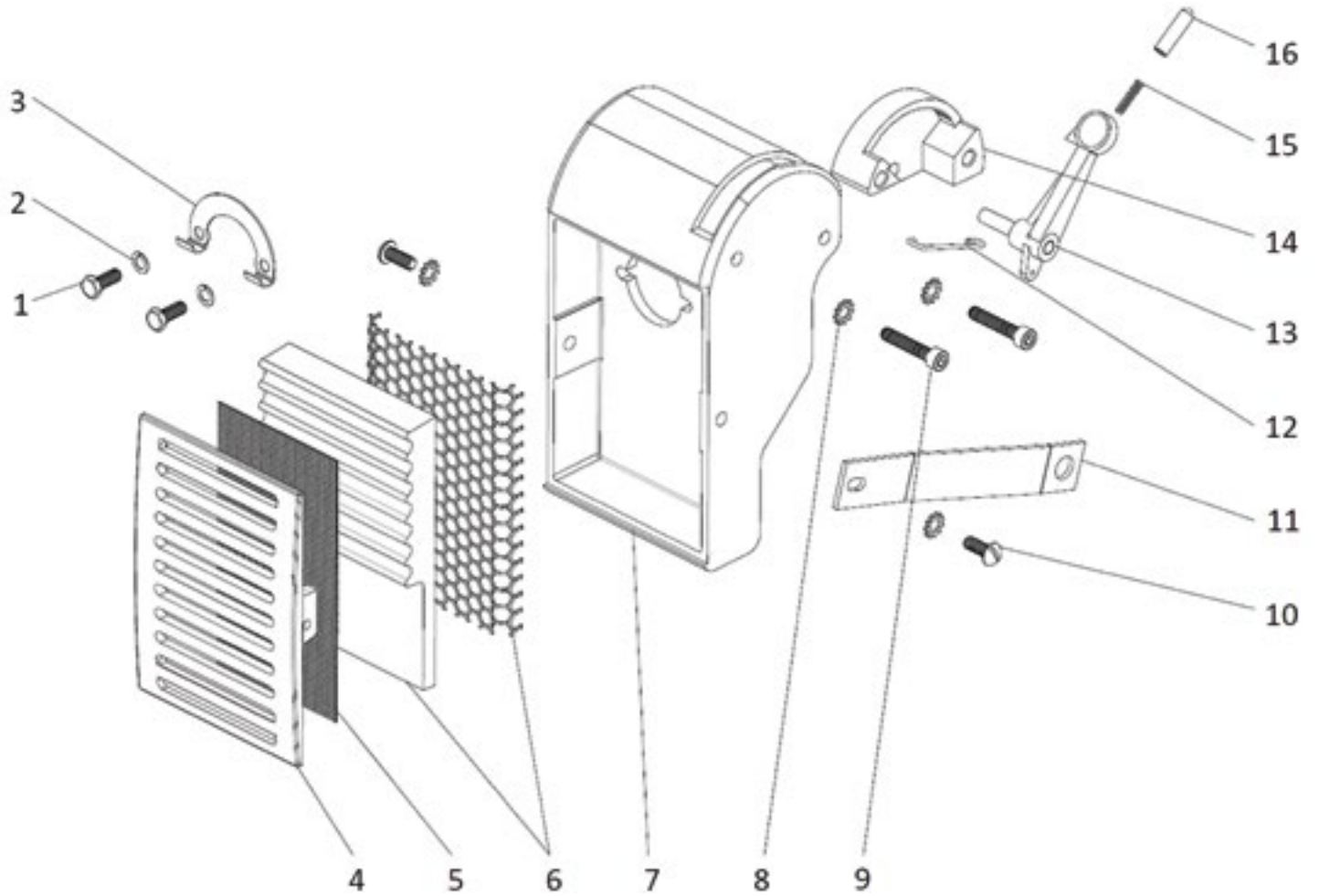




## CARBURETOR

ID	ITEM NO	DESCRIPTION	QTY
-	800152	R-1115 CARBURETOR	-
1	600540 <sup>†</sup>	R-1113N GASKET CARBURETOR	1
2	-	R-1041 MACHINE SCREW WITH LOCK WASHER	2
3	-	R-1045 BODY	1
4	-	R-1040 THROTTLE SHUTTER	1
5	301314	R-1035 BRASS AND STEEL THROTTLE SHAFT AND LEVER	1
6	301327	R-1039 STEEL THROTTLE SHAFT RETURN SPRING	1
7	301325	R-1036 THROTTLE SHAFT CLIP	1
8	301326	R-1037 LOCK WASHER 1/4 OD X .15 ID	1
9	-	R-1038 MACHINE SCREW	1
10	800550	R-1111 BOLT	1
11	-	THROTTLE LINK LEVER	1
12	-	R-1110 NUT	1
13	301315	R-1005 BRASS CHOKE SHUTTER	1
14	-	R-1002 CHOKE FRICTION PIN	1
15	301334	R-1003 PLATED STEEL SPRING FOR CHOKE FRICTION	1
16	301331	R-1047 BRONZE INLET SEAT GASKET	1
17	301322	R-1004 CHOKE SHAFT AND LEVER	1
18	800160 <sup>††</sup>	R-1001 BODY CHANNEL WELCH PLUG	1
19	800154 <sup>†</sup>	R-1034 NOZZLE CHECK VALVE	1
20	800157 <sup>††</sup>	R-1025N INLET CONTROL LEVER	1
21	800161 <sup>††</sup>	R-1008 DIAPHRAGM GASKET	1
22	800163 <sup>††</sup>	R-1009 DIAPHRAGM "SB"	1
23	301316	R-1010 DIAPHRAGM COVER	1
24	800162 <sup>††</sup>	R-1011 FUEL PUMP GASKET	1
25	800164 <sup>††</sup>	R-1012 FUEL PUMP DIAPHRAGM	1
26	301317	R-1013 ALUMINUM FUEL PUMP BODY	1
27	800155 <sup>†</sup>	R-1015 FUEL STRAINER SCREEN	1
28	800159 <sup>††</sup>	R-1016 FUEL STRAINER COVER GASKET	1
29	301318	R-1017 FUEL STRAINER COVER	1
30	301319	R-1018 PLATED STEEL MACHINE SCREW ROUND SLOTTED	1
31	-	R-1014 MACHINED SCREW WITH LOCK WASHER	6
32	301266	R-1025NA INLET CONTROL LEVER FULCRUM PIN	1
33	800156 <sup>†</sup>	R-1029 INLET TENSION SPRING	1
34	800153 <sup>††</sup>	R-1046N INLET NEEDLE, SEAT AND GASKET	1
35	301333	R-1026 INLET CONTROL LEVER PINION SCREW	1
36	800158 <sup>†</sup>	R-1022 MIXTURE SCREW O-RING	2
37	301335	R-1021 SS STEEL FLAT WASHER 1/4"OD X 3/16"ID	2
38	301321	R-1020 STAINLESS STEEL MIXTURE SCREW SPRING	2
39	301324	R-1019 PLATED STEEL LOW SPEED MIXTURE SCREW	1
40	301323	R-1030 PLATED STEEL HIGH SPEED MIXTURE SCREW	1
41	-	R-1024 IDLE SPEED SCREW SPRING	1
42	-	R-1023 IDLE SPEED SCREW	1
-	301330 <sup>*</sup>	R-1046N-L LONG NEEDLE, SEAT AND GASKET	-

<sup>\*</sup>Included in R-1050 MARK-3 Carburetor Repair Kit (600178) <sup>†</sup>Included in R-1049A Carburetor Repair Kit (600162)





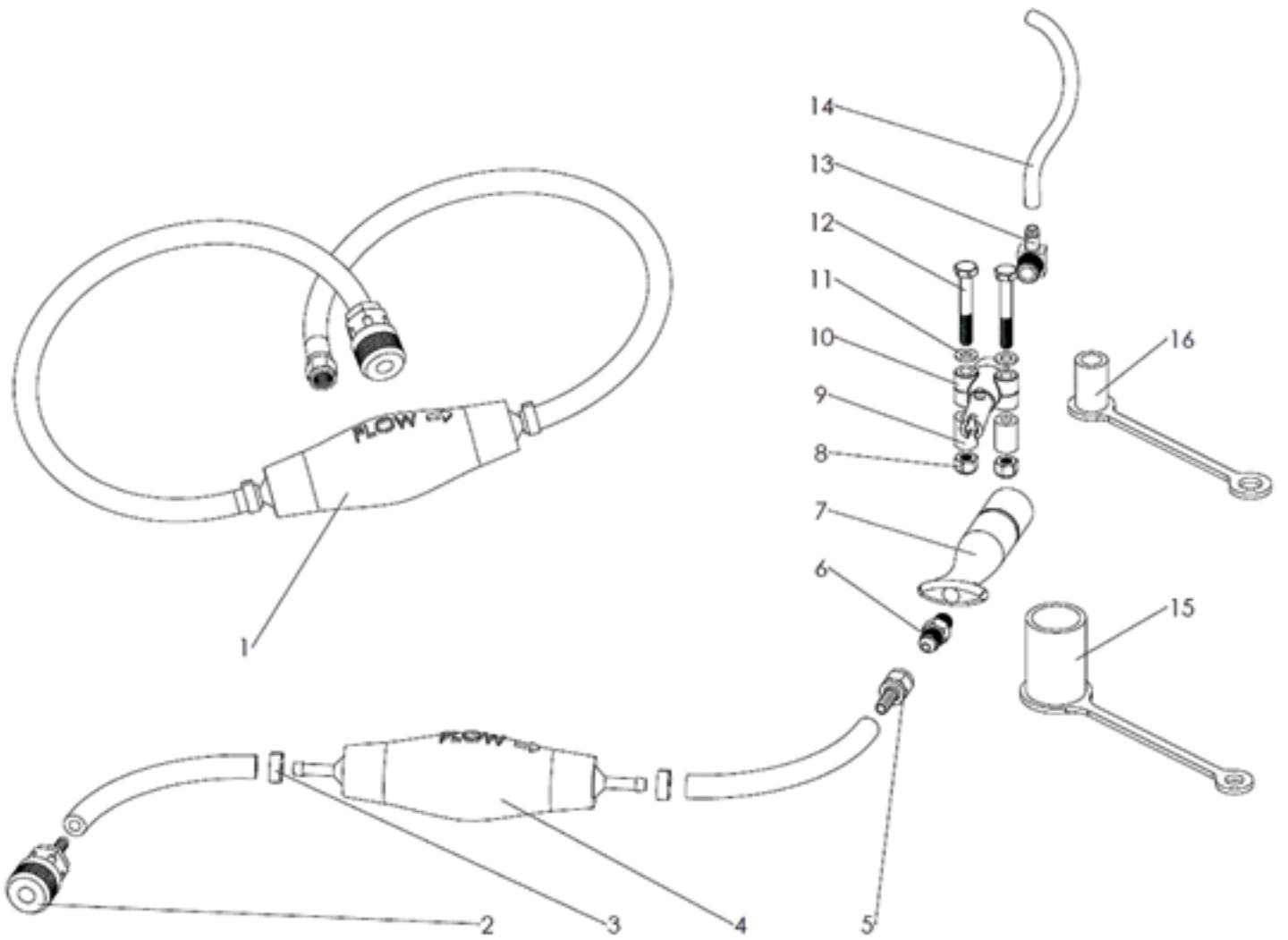


## AIR FILTER

ID	ITEM NO	DESCRIPTION	QTY
1	600165	R-793 MACHINE SCREW MODIFIED, S.S.	2
2	800489	R-791 LOCKWASHER #10 SPLIT ZINC	2
3	600177	R-1044 LOCK PLATE FOR MARK-3	1
4	600169	R-794 AIR FILTER COVER FOR MARK-3	1
5	701286**	EMBER SEPARATOR FOR MARK-3	1
6	700810	R-955 AIR FILTER	1
7	600519	R-790 CARBURETOR SHROUD, WITH DECAL	1
8	800352*	12-79 LOCKWASHER #10 EXTERNAL TOOTH ZINC	4
9	800441*	B-4036-12 SCREW #10-32X1 HEX SOCKET BLACK OXYDE	2
10	800487	R-774 SCREW #10-32X1/2 FLAT/SQ ROUND ZINC	2
11	600173	R-799 BRACKET FOR MARK-3	1
12	700808*	R-1102 LINK FOR THROTTLE	1
13	600159*	R-1107 THROTTLE LEVER SUB-ASSEMBLY	1
14	700033*	B-4024 QUADRANT FOR THROTTLE LEVER	1
15	800316*	A-4028 SPRING SS	1
16	700011*	A-4027 INDEX PIN, BRASS	1

\* Included in R-792 Throttle Assy (600529)

\*\* Ember separator screen standard on GSA/DLA model only



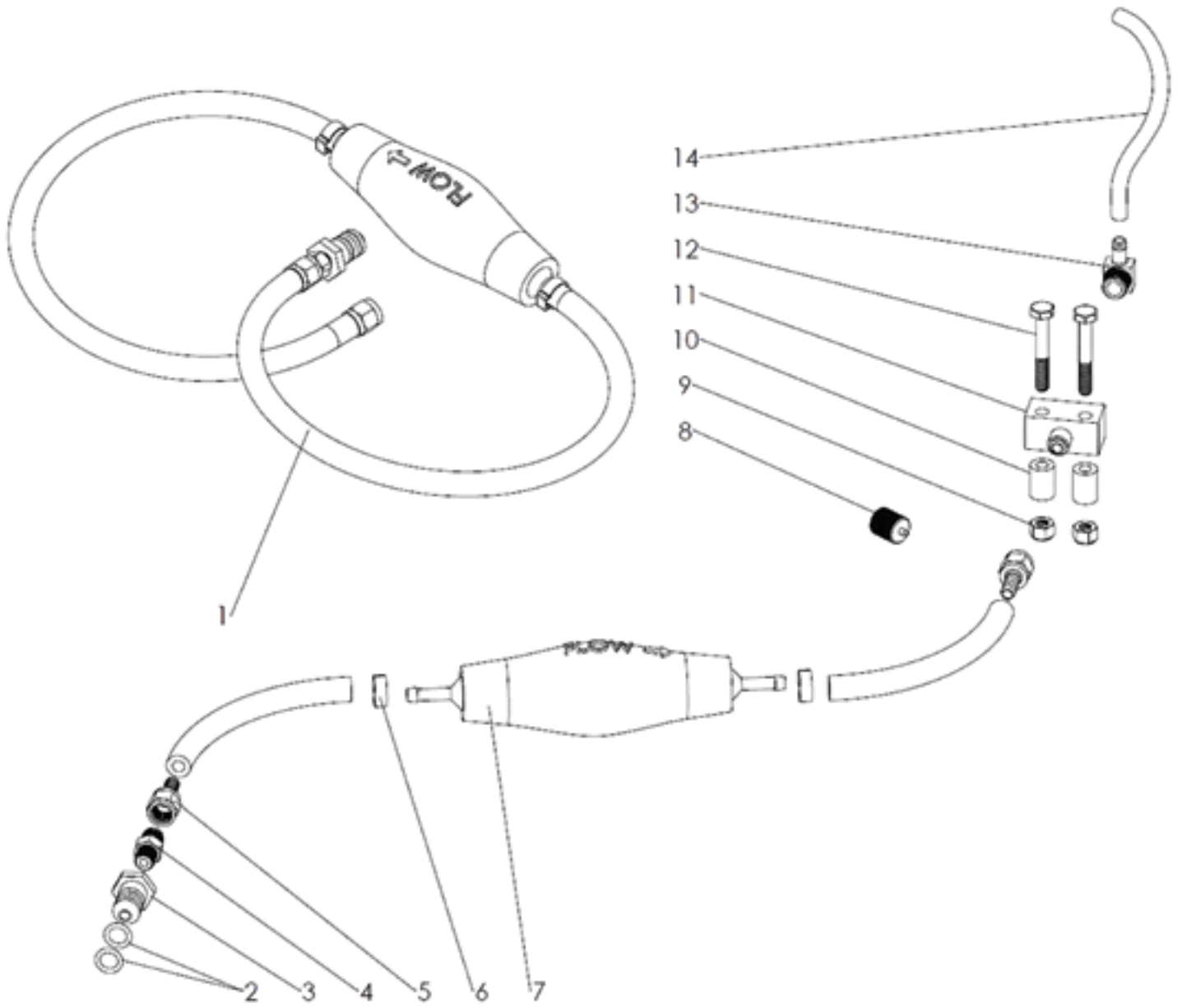


## FUEL LINE (MERCURY)

ID	ITEM NO	DESCRIPTION	QTY
1	600390*	12-401B-NS FUEL LINE, STANDARD STYLE	1
2	800864	FA-451 FEM QUICK-CONNECT	1
3	800440	12-406N SINGLE EAR OETIKER CLAMP	2
4	600389	12-405-1 FUEL LINE PRIMING BULB	1
5	700017	12-65 COUPLING SWIVEL	1
6	800814**	R-732 CONNECTOR 1/4" TUBE X 1/8" NPT	1
7	800802**	R-712 HANDLE QUICK CONNECT, FEM	1
8	800419**	C-6650-14 NUT 1/4-20 HEX NYLON LOCK ZINC	2
9	600081**	C-5200-7R SPACER-RUBBER	2
10	800805**	R-706 BODY QUICK-CONNECT M	1
11	800474**	D-5269-7 WASHER 1/4 FLAT SS	2
12	800422**	C-5200-8 SCREW 1/4-20X1-3/4 HEX CAP SS	2
13	800804**	R-709 ELBOW 90, 3/8" TUBE X 1/4" NPT M	1
14	600172**	R-798 PLASTIC TUBING (FUEL LINE)	1
15	700100	A-7487 DUST CAP - FEM CONNECTOR, NITRILE	1
16	700080	A-7486 DUST CAP - M. CONNECTOR, NITRILE	1

\* Fuel line compatible with FA-552Q fuel air transport tank (600429)

\*\* Included in R-1114 Quick-connect fuel line assy (600155)





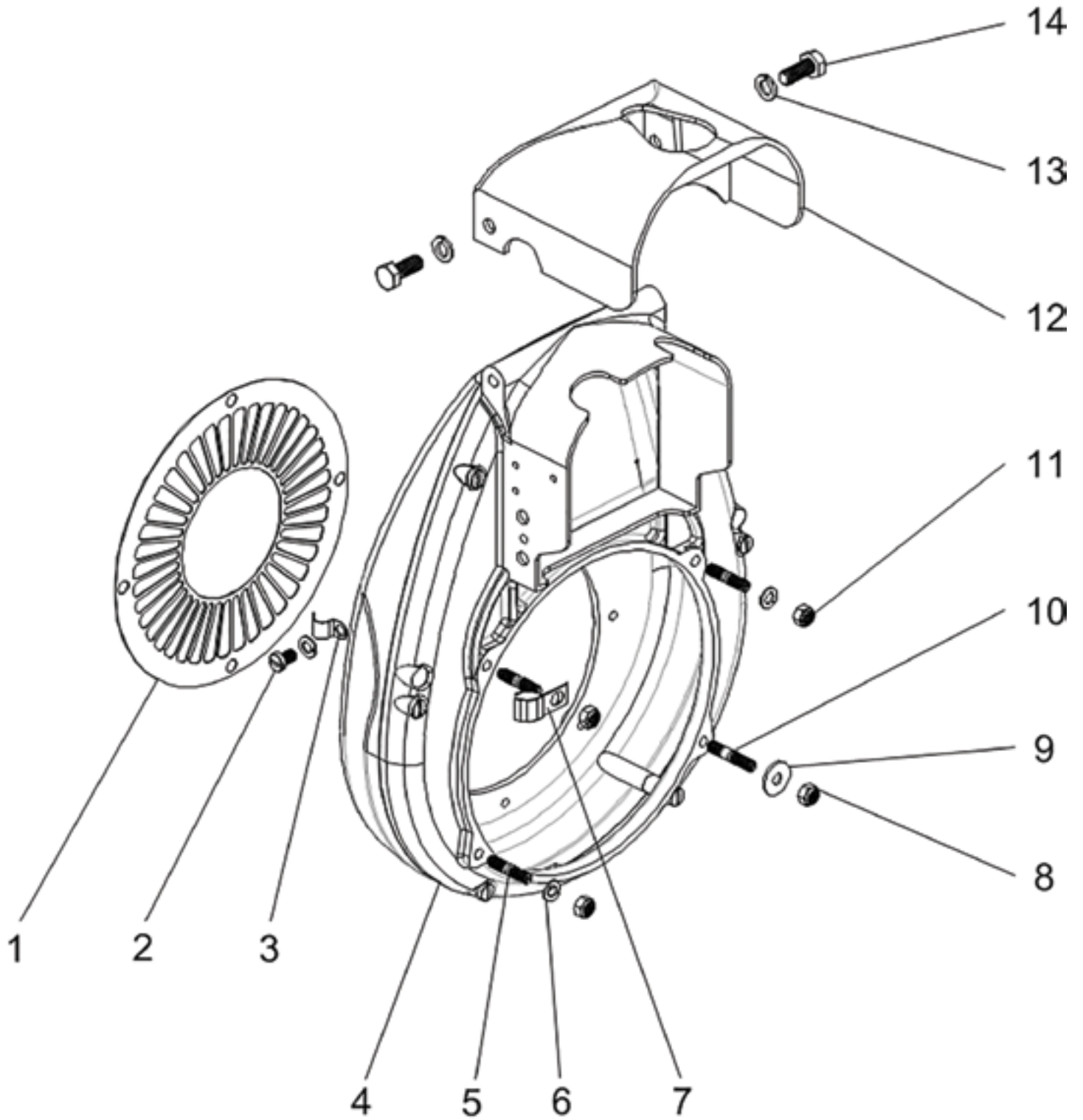


## FUEL LINE (USFS)

ID	ITEM NO	DESCRIPTION	QTY
1	600136*	R-1206A-GSA 5' FUEL LINE PRIMING BULB	1
2	700715**	O-RING-10 O-RING 9/16"ODX3/8"IDX3/32"THK	2
3	700660**	A-7505 MALE PLUG	1
4	800814	R-732 CONNECTOR 1/4" TUBE X 1/8" NPT	1
5	700017	12-65 COUPLING SWIVEL	2
6	800440	12-406N SINGLE EAR OETIKER CLAMP	2
7	600389	12-405-1 FUEL LINE PRIMING BULB	1
8	700018	A-4428 OUTLET CAP FOR A-4427	1
9	800419	C-6650-14 NUT 1/4-20 HEX NYLON LOCK	2
10	600081	C-5200-7R SPACER-RUBBER	2
11	700092	A-7288 FUEL BLOCK FOR MK-3-WP, BRASS	1
12	800422	C-5200-8 SCREW 1/4-20X1-3/4 HEX CAP SS	2
13	800804	R-709 ELBOW 90, 3/8" TUBE X 1/4" NPT M	1
14	600172	R-798 PLASTIC TUBING (FUEL LINE)	1

\* Fuel line compatible with FA-352GSA-N jerry can (600376)

\*\* Included in B-7527 Male Plug With O-rings (600426)

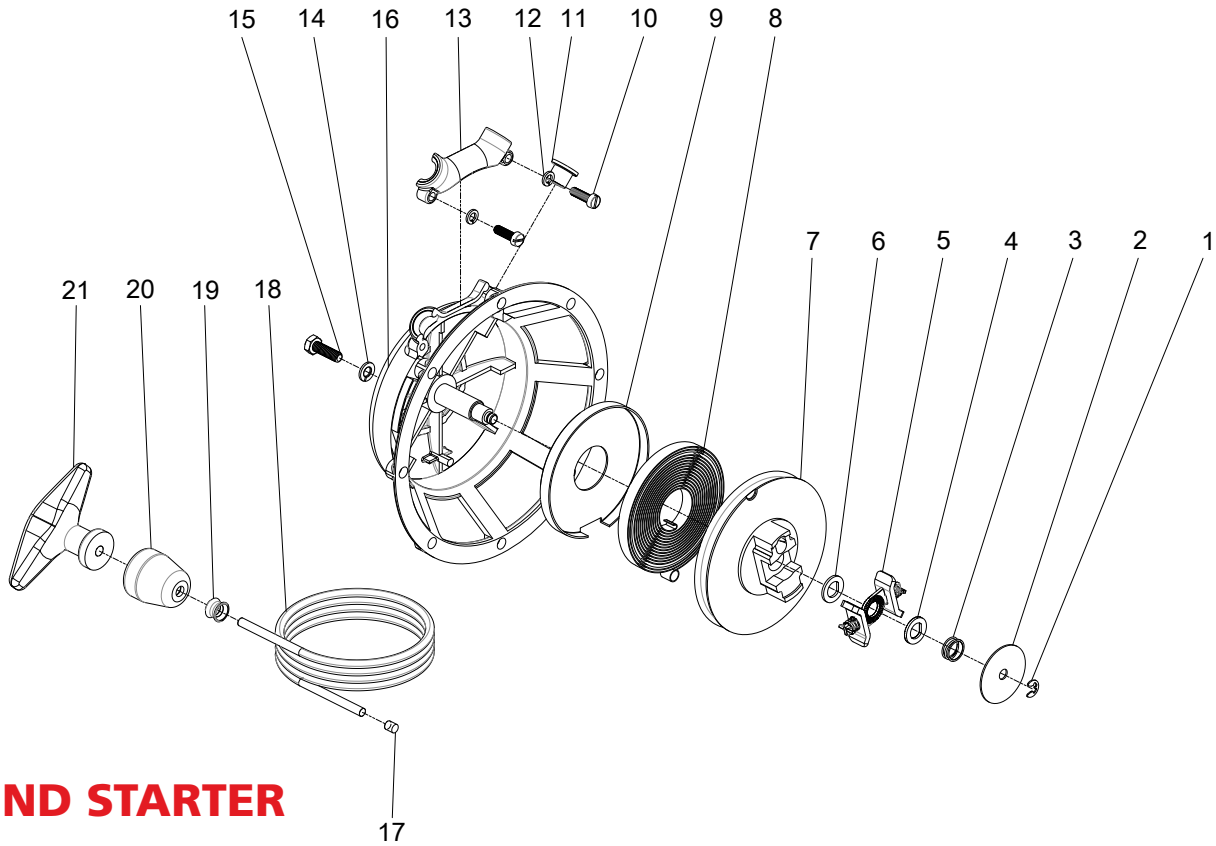




## FAN COWL (HOUSING)

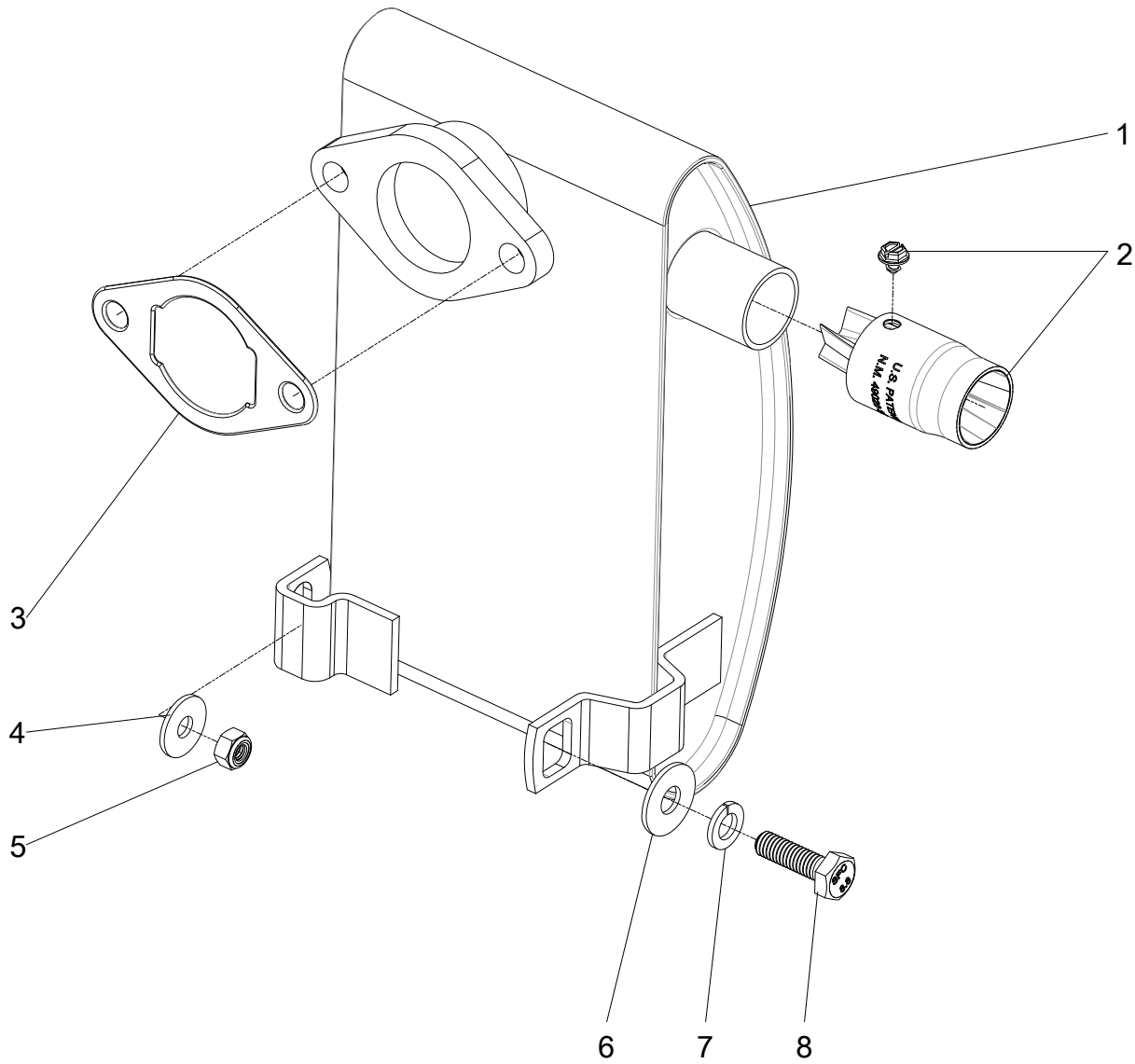
ID	ITEM NO	DESCRIPTION	QTY
1	800088	R-418 SHIELD - FAN	1
2	800530	R-408 SCREW M6X1.0X10 SLOT CHEESEHEAD ZINC	1
3	800075	CLAMP - IGNITION CABLE	1
4	800077	R-411P COWL - FAN W/STUDS PAINTED	1
5	800047*	R-115 STUD, M6 X 1.0 X 30 MM LG	3
6	801107	LOCKWASHER M6 SPLIT BOWED ZINC DICHROMATE DIN128A	3
7	800408	B-5562-18 CLAMP PLASTIC COATED 9/16" ID	1
8	800544	R-150 NUT M6X1.0 HEX FUJI LOCK ZINC	2
9	800543	R-151 WASHER 1/4 FLAT ZINC	1
10	800103*	R-402 STUD M6 X 1.0 X 32.5 MM LG	1
11	800292	TY-1811 NUT M6-1 LOCK ZINC	2
12	600158	R-413 COVER FOR SPARK PLUG, ALU. PAINTED	1
13	800548	R-119 LOCKWASHER M8 SPLIT ZINC	2
14	800520	R-414 SCREW M8X1.25X20 HEX CAP CADM	2

\* Included in R-411P Cowl – Fan w/ Studs Painted (800077)



## REWIND STARTER

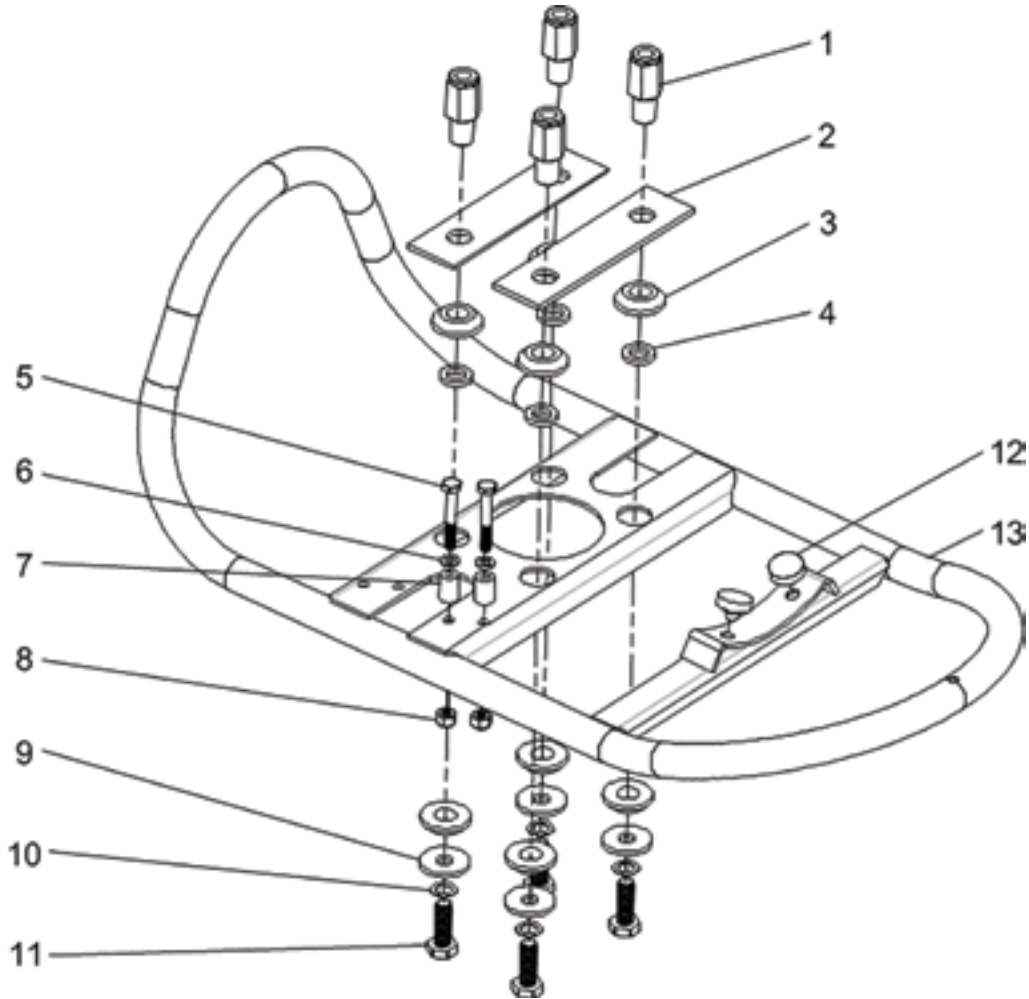
ID	ITEM NO	DESCRIPTION	QTY
-	800131	R-529 REWIND STARTER COMPLETE	-
1	800083	R-518 CIRCLIP 5MM, DIN 6799.5, BLACK	1
2	800101	R-517 FLAT WASHER	1
3	800086	R-516 SPRING - FRICTION	1
4	800100	R-526 WASHER - FRICTION	1
5	600531	R-528 PAWL ASSEMBLY	1
6	800092	R-510 FLAT "D" WASHER	1
7	800099	R-504 ALUM. SHEAVE, STARTER ROPE	1
8	800098	R-506 SPRING - REWIND	1
9	800125	R-531 RETAINER - SPRING	1
10	800115	R-524 MACH. SCREW SHEESE SLOTTED	2
11	800097	R-509 PLUG - RUBBER	1
12	800553	R-523 LOCKWASHER M5 SPLIT CADM	2
13	800126	R-532 REWIND STARTER REAR COVER	1
14	800117	R-530 HOUSING FOR REWIND STARTER (W/ R-531) 185CC	1
15	801107	LOCKWASHER M6 SPLIT BOWED ZINC DICHROMATE DIN128A	4
16	800554	R-522 SCREW M6X1.0X20 HEX CAP ZINC	4
17	700118	R-505 LOCK PIN 5.5MM DIA X 6MM LG, STEEL	1
18	801106	R-502N #6 NYLON STARTER ROPE 4.8MM 6 FIL 1400MM LG	1
19	800127	R-533 GUIDE FOR STARTER ROPE	1
20	800128	R-544 BUFFER - RUBBER	1
21	800089	R-501 HANDLE FOR STARTER ROPE	1



## MUFFLER

ID	ITEM NO	DESCRIPTION	QTY
1	600166	R-229 MUFFLER FOR MARK-3	1
2	700811*	PART-205 SPARK ARRESTOR, MARK-3	1
3	800067	R-237 GASKET MUFFLER	1
4	800543	R-151 WASHER 1/4 FLAT ZINC	1
5	800544	R-150 NUT M6X1.0 HEX FUJI LOCK ZINC	1
6	700071	C-5370-11 WASHER 7/8"OD X 11/32"ID X 1/16"TH, S.S.	1
7	800548	R-119 LOCKWASHER M8 SPLIT ZINC	1
8	800416	RA-108 SCREW M8X1.25X25 HEX CAP ZINC	1

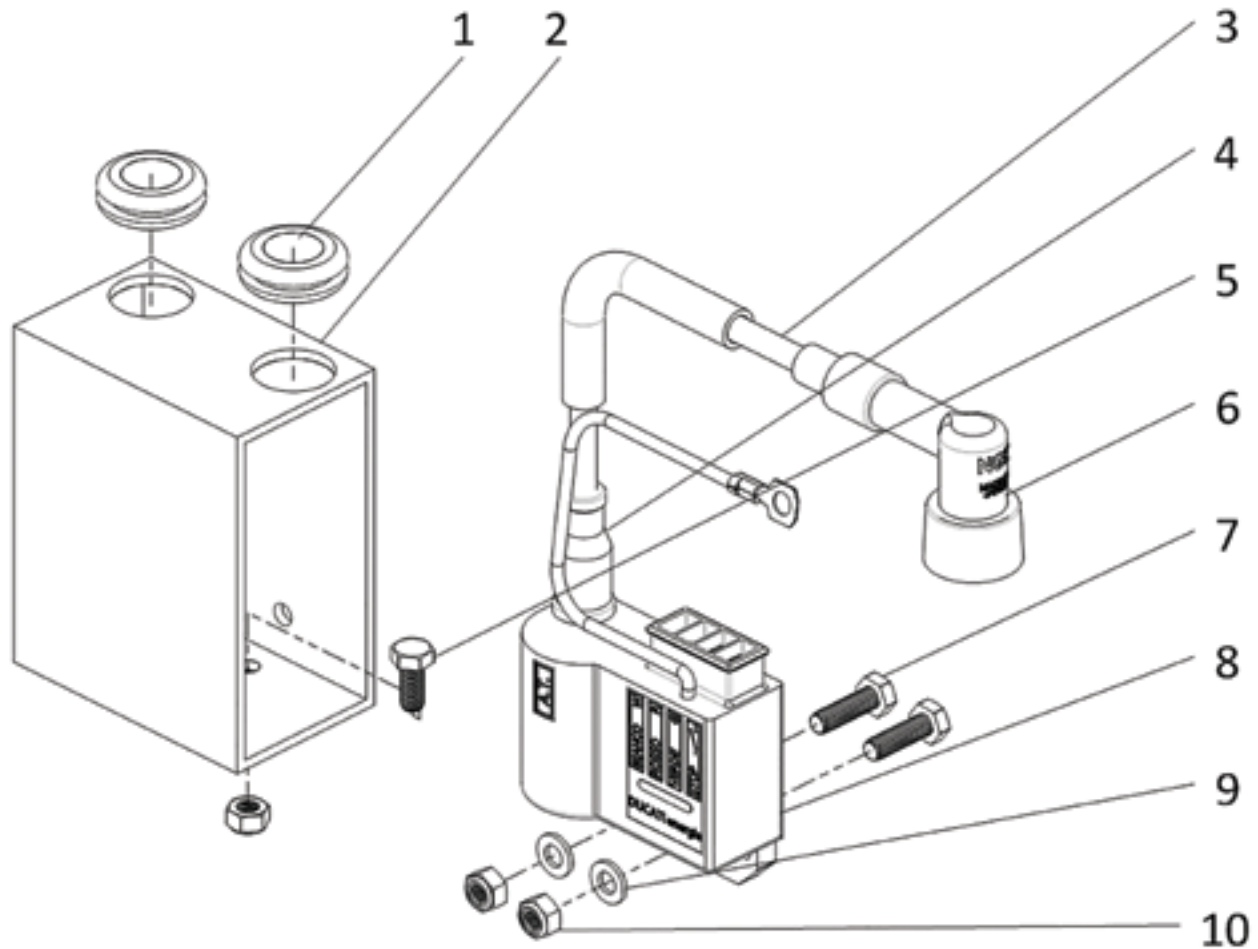
\* USFS approved spark arrestor



## FRAME

ID	ITEM NO	DESCRIPTION	QTY
-	600095	C-5200N MOUNTING FRAME WITH HARDWARE	-
-	600082	C-5200N-15 HARWARE KIT FOR C-5200N FRAME (INCL. ALL PARTS EXCEPT C-5201 FRAME)	-
1	600037	A-6149P MARK-3 MOUNTING LEG, PLATED	4
2	600108	A-4005 MOUNTING PAD, PLATED	2
3	700021	A-6179 RING, RUBBER	8
4	700652	C-5200-5 WASHER,13/16"ODX1/2"IDX1/8"THK	4
5	800422	C-5200-8 SCREW 1/4-20X1-3/4 HEX CAP SS	2
6	800474	D-5269-7 WASHER 1/4 FLAT SS	2
7	600081	C-5200-7R SPACER-RUBBER	2
8	800419	C-6650-14 NUT 1/4-20 HEX NYLON LOCK ZINC	2
9	800435	C-5200-6 WASHER 3/8 FENDER ZINC	4
10	800536	R-111 LOCKWASHER M10 SPLIT ZINC	4
11	800424	C-5200-12 SCREW M10X1.5X30 ZINC	4
12	700769	C-4506-3 BUMPER, RUBBER	2
13	700072	C-5201 MK-3 FRAME, STEEL PAINTED	1

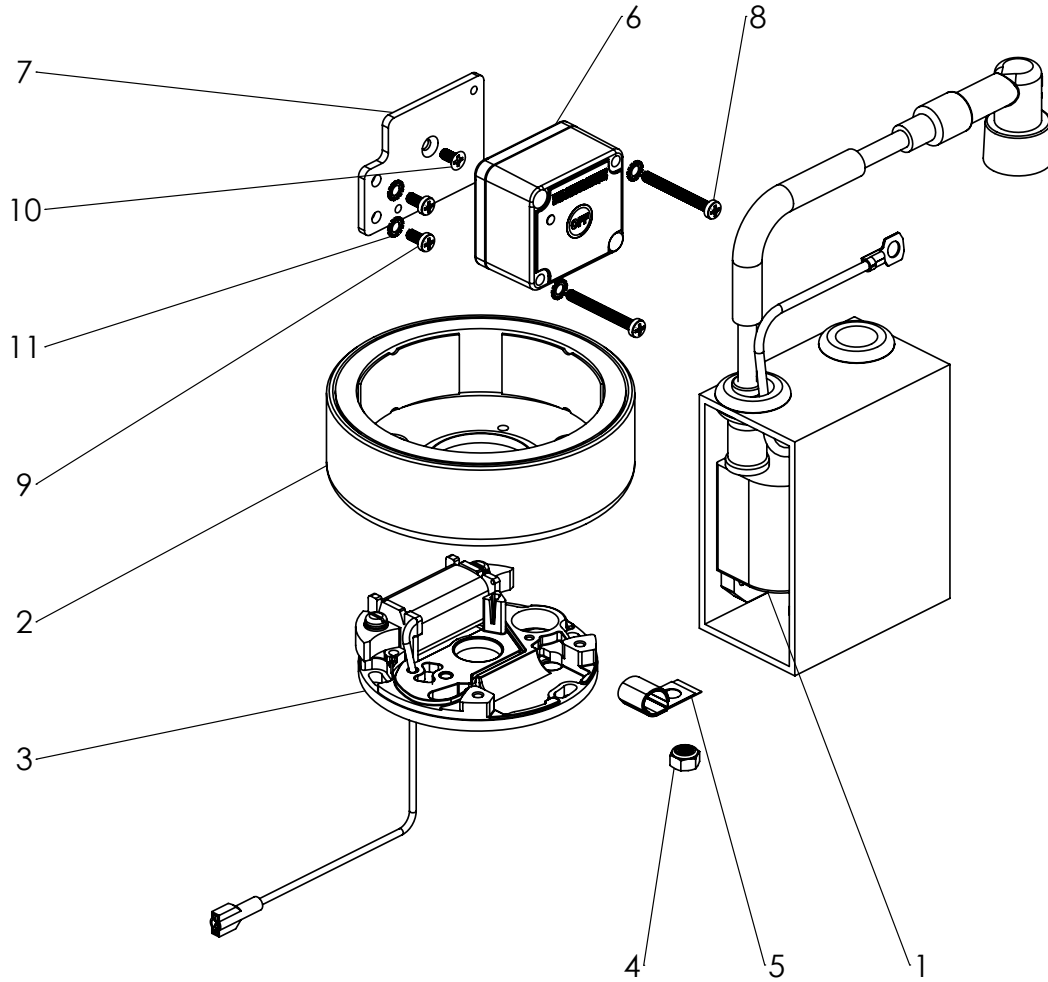




## CDI ASSEMBLY

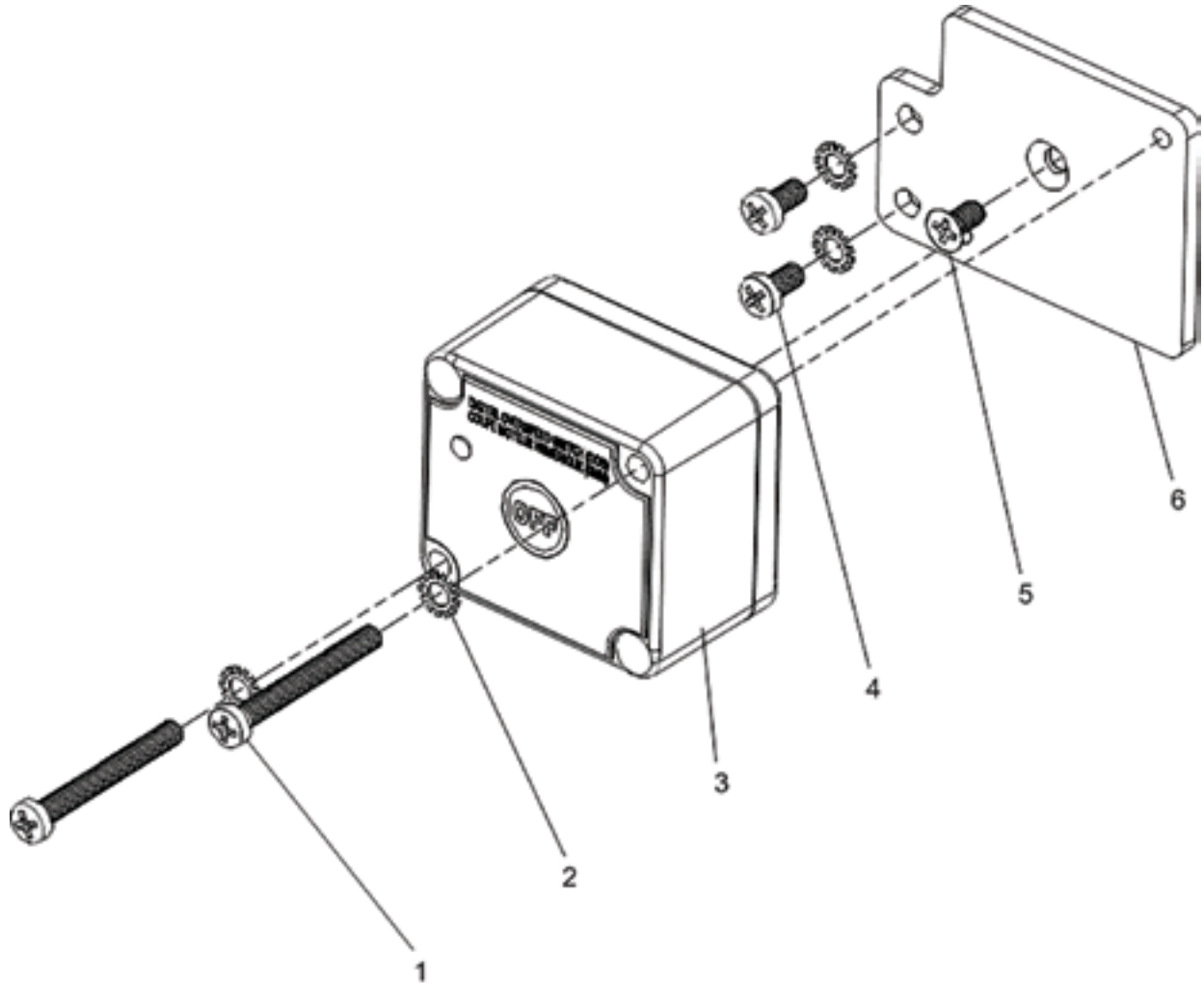
ID	ITEM NO	DESCRIPTION	QTY
-	600125	B-7592 ELECTRONIC IGNITION BOX ASSY	-
1	800685	D-2902-9 GROMMET	2
2	700757	A-7589 MOUNTING BLOCK/ELECT. IGNITION	1
3	800039	R-274 IGNITION CABLE 500MM	1
4	800056	R-275 PROTECTION CAP	1
5	800529	FAST-18 HEX CAP SCREW M6 X 1 X 14MM LG	2
6	800121	R-650 PROTECTOR, SPARK PLUG	1
7	800526	FAST-20 HEX CAP SCREW M6 X 1 X 20MM LG	2
8	800057	R-273 ELECTRONIC BOX F/IGNITION	1
9	800549	FAST-510 FLAT WASHER M6, ZINC PLATED	2
10	800544	R-150 NUT M6X1.0 HEX FUJI LOCK ZINC	4

Note: To retrofit engines from point ignition to CDI and DOS, refer to the Digital Ignition Solution (DIS) conversion kit (600556). User Instructions and jigs are available.



## DIGITAL IGNITION SOLUTION (DIS) CONVERSION KIT

ID	ITEM NO	DESCRIPTION	QTY
-	600556	DIS MK-3 CONVERSION KIT UPG TO CDI / DOS	1
1	600125	B-7592 ELECTRONIC IGNITION BOX ASSY	1
2	701109	R-668E MAGNETO FOR 185CC	1
3	800073	R-661-CDI STATOR, COIL/ARMATURE ASSEMBLY	1
4	800544	R-150 NUT M6X1.0 HEX FUJI LOCK ZINC	1
5	800408	B-5562-18 CLAMP PLASTIC COATED 9/16" ID	1
6	700593	B-6289-1 DOS PRODUCTION UNIT	1
7	700616	B-6289-2 DOS MK-3 BRACKET	1
8	800443	B-6289-3 SCREW M4X0.7X35 PHILLIPS CHEESE HEAD ZINC	2
9	800402	B-6289-4 SCREW M4X0.7X8 PHILLIPS RAISED CHEESE ZINC	2
10	800413	B-6289-5 SCREW M4X0.7X8 PHILLIPS FLAT ZINC	1
11	800400	B-6289-6 LOCKWASHER M4 EXTERNAL TOOTH ZINC	4
-	801116	CABLE TIE 4" NYLON BLACK	3
-	701161	USER INST DIGITAL IGNITION SOLUTION DIS	1



## DIGITAL OVERSPEED SWITCH (DOS)

ID	ITEM NO	DESCRIPTION	QTY
1	800443	B-6289-3 SCREW M4X0.7X35 PHILLIPS CHEESE HEAD ZINC	2
2	800400	B-6289-6 LOCKWASHER M4 EXTERNAL TOOTH ZINC	4
3	700593	B-6289-1 DOS PRODUCTION UNIT	1
4	800402	B-6289-4 SCREW M4X0.7X8 PHILLIPS RAISED CHEESE ZINC	2
5	800413	B-6289-5 SCREW M4X0.7X8 PHILLIPS FLAT ZINC	1
6	700616	B-6289-2 DOS MK-3 BRACKET	1



# MARK-3<sup>®</sup>

**WATERAX** acquired the intellectual property and the rights to manufacture the durable 185cc engine from ROTAX. We invested heavily in new tooling and major improvements on key engine components in order to make the 185cc engine lighter and more durable.

The **WATERAX** 185cc engine features the following enhancements:

- Nikasil-coated cylinder
- Impregnated crankcase
- Composite cooling fan
- Longer recoil rope





The new Nikasil-coated cylinder is the most significant upgrade on the MARK-3® in years. In addition, **WATERAX** has adjusted its recommended fuel mix ratio to 50:1 synthetic.

Visit the **WATERAX** Genuine Parts Store to purchase exclusive genuine spare parts for multi-stage high-pressure centrifugal pumps.

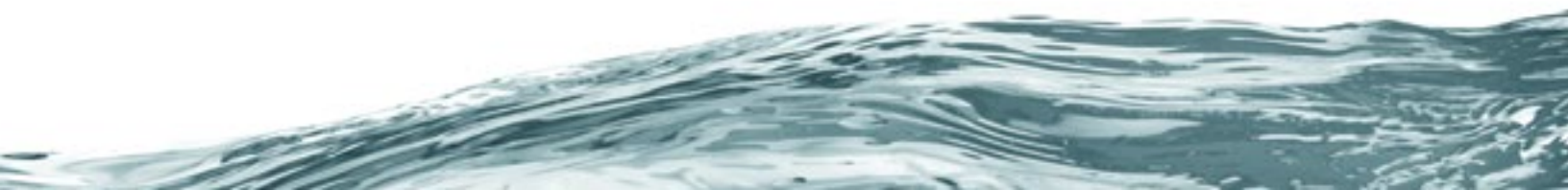


[SHOP US WEBSITE >](#)

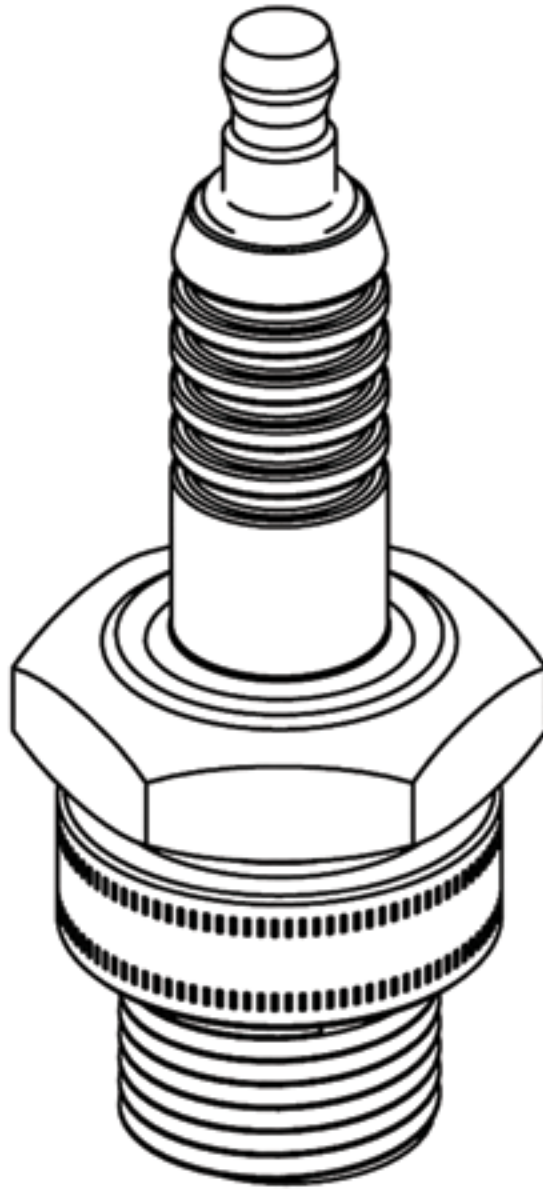


[SHOP CANADIAN WEBSITE >](#)

**WATERAX**   
**WE MOVE WATER®**

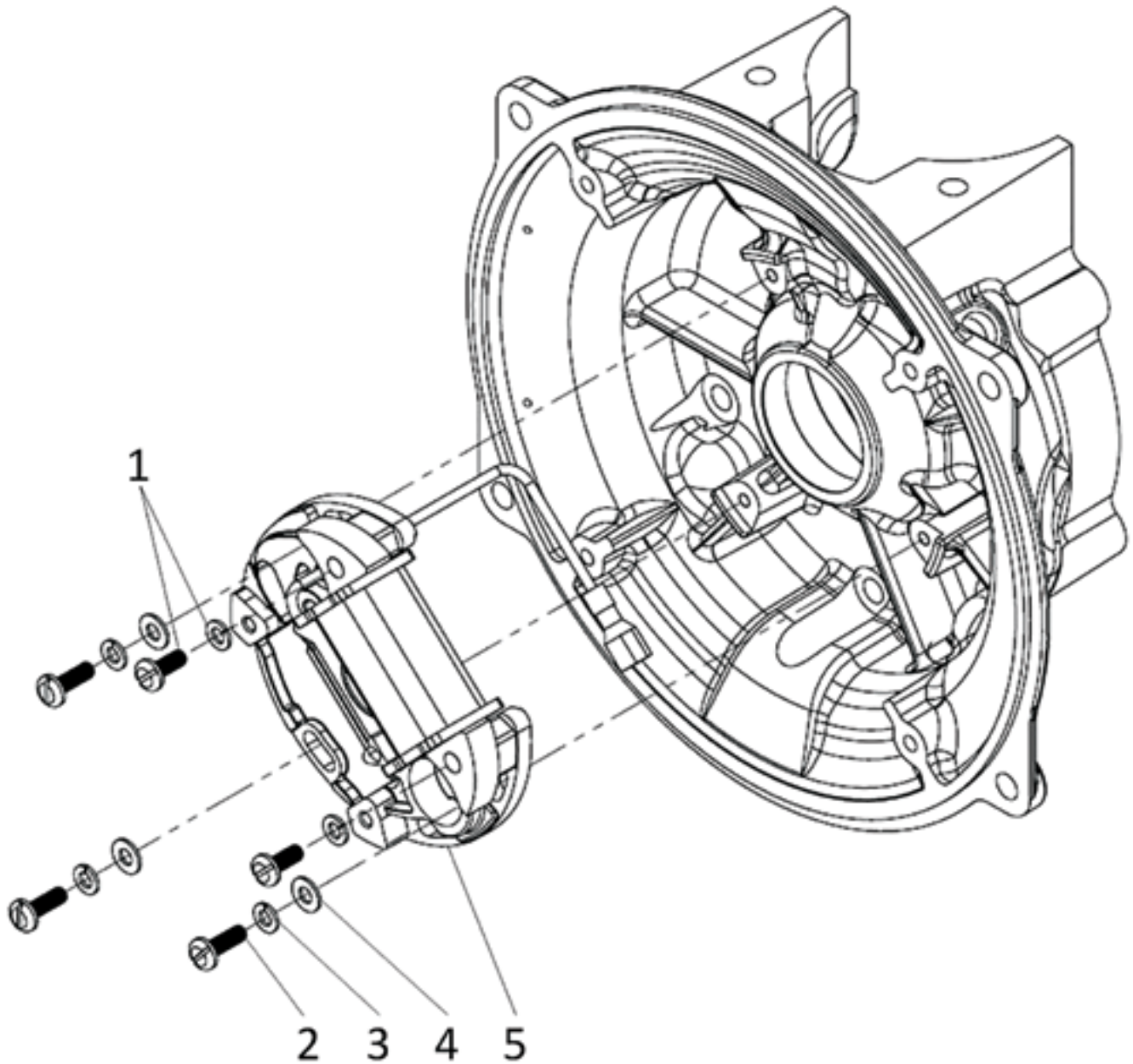






## SPARK PLUG FOR 185CC ENGINE

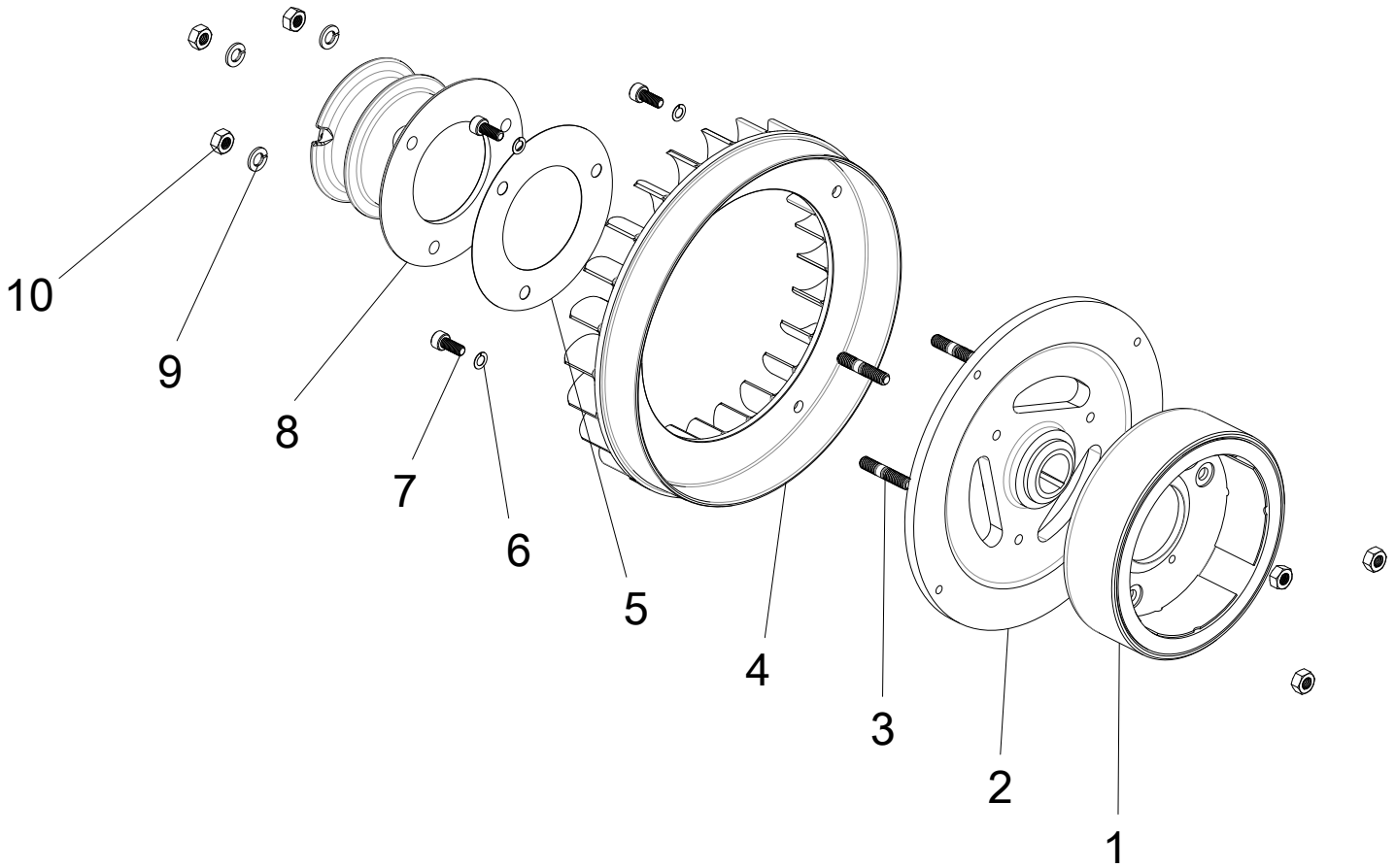
ID	ITEM NO	DESCRIPTION	QTY
-	800850	R-629 SPARK PLUG 18 MM	-
-	800851	R-629-14 SPARK PLUG 14 MM	-



## STATOR

ID	ITEM NO	DESCRIPTION	QTY
1	800497*	R-655 SCREW M4X0.7X20 PHILLIPS PAN ZINC W/ WASHER	2
2	800110	R-638 MACH. SCREW, PAN SLOTTED	3
3	800540	R-611 LOCKWASHER M4 SPLIT ZINC	3
4	800551	R-637 WASHER M4 FLAT ZINC	3
5	800073	R-661-CDI STATOR, COIL/ARMATURE ASSEMBLY	1

\* Included in R-661 CDI STATOR (800073)  
 Note: R-636 Grommet (800074) not shown.



## MAGNETO

ID	ITEM NO	DESCRIPTION	QTY
1	701109*	R-668E MAGNETO CDI FOR 185CC	1
2	600534*	R-669 MAGNETO HOUSING FOR 185CC WITH MACH. KEYWAY	1
3	800123*	R-602 STUD M6 X 1.0 X 31 MM LG	3
4	701110*	R-603N COMPOSITE FAN FOR 185CC	1
5	800102	R-653 PULLEY GASKET	1
6	801163*†	LOCKWASHER M5 TEETH SERRATED ZINC DIN 6798	4
7	800058*	R-146 ALLEN SCREW M5X12	4
8	800130	R-601 PULLEY FOR MANUAL START	1
9	801107	LOCKWASHER M6 SPLIT BOWED ZINC DICHROMATE DIN128A	3
10	800045*	R-116 HEX NUT M6X 1.0	6

\* Included in R-667N-ES Flywheel/Magneto/Fan Assy CDI (600535)

† For aluminum fan, use R-523 lockwasher M5 split (800553)



# MARK-3<sup>®</sup>

Since 1964 when the MARK-3<sup>®</sup> was first introduced by WAJAX, after the 4-stage detachable pump end was patented in 1958, it has been the standard wildland portable fire pump used by forestry agencies around the world. A truly outstanding and reliable performer, the MARK-3<sup>®</sup> fire pump is designed to withstand the rigors of firefighting and it is the core of most water delivery systems in wildland operations.

Always the benchmark in terms of performance, reliability and durability, the MARK-3<sup>®</sup> benefited from a series of improvements to its key components namely a Nikasil-coated cylinder, an impregnated crankcase and a maintenance-free pump end.

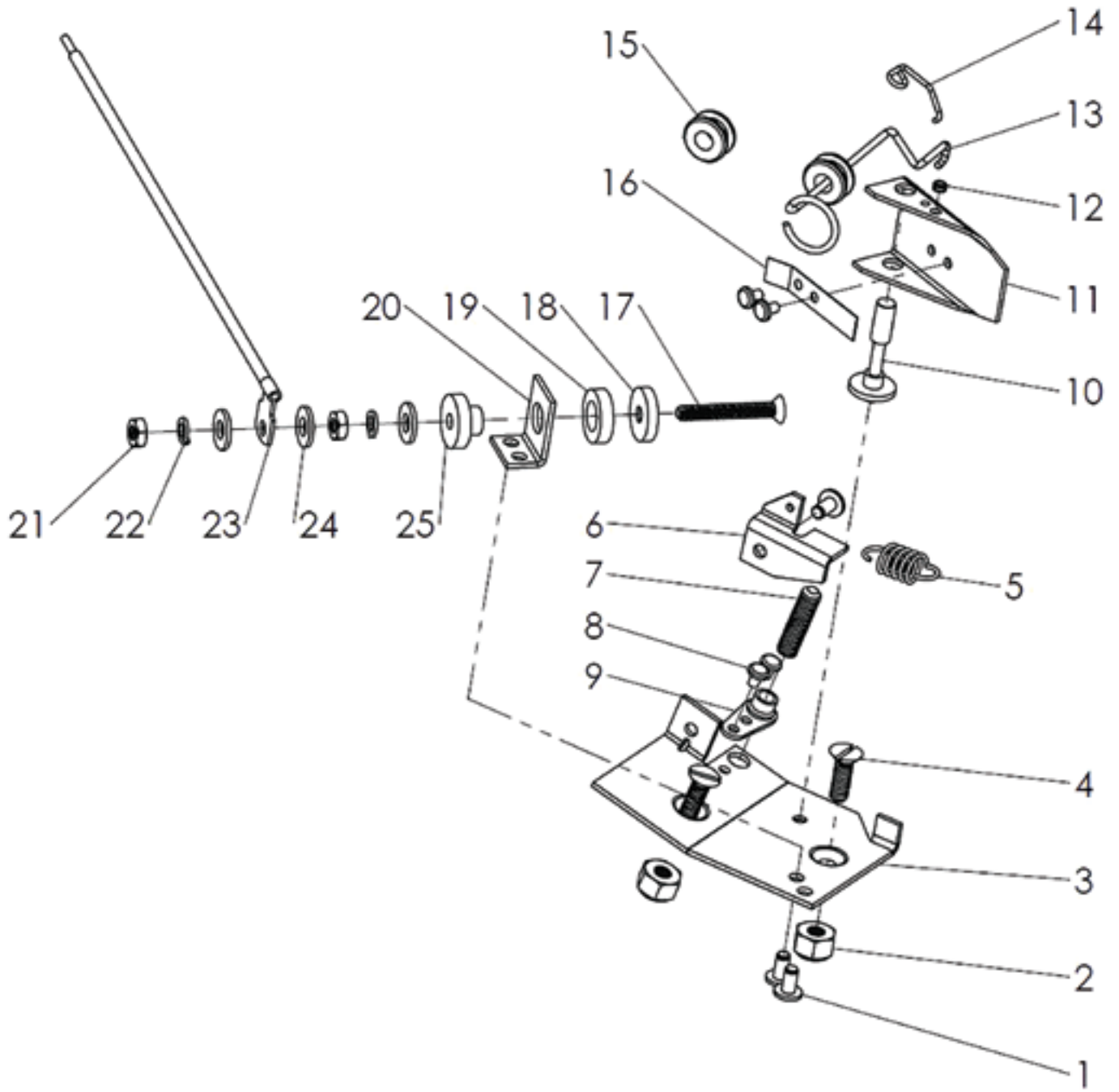
The improved MARK-3<sup>®</sup> successfully passed the USDA Forest Service 100 hours endurance test in San Dimas on 08/04/15 and has been requalified under QPL Number 274-001.

## Applications

- Attack line firefighting
- Long hose lay for remote watering during firefighting operations
- High elevation firefighting in mountainous areas
- High pressure provides accuracy in flow trajectory
- Tandem pumping over long distances
- Parallel pumping for higher volumes

**WATERAX**   
**WE MOVE WATER<sup>®</sup>**



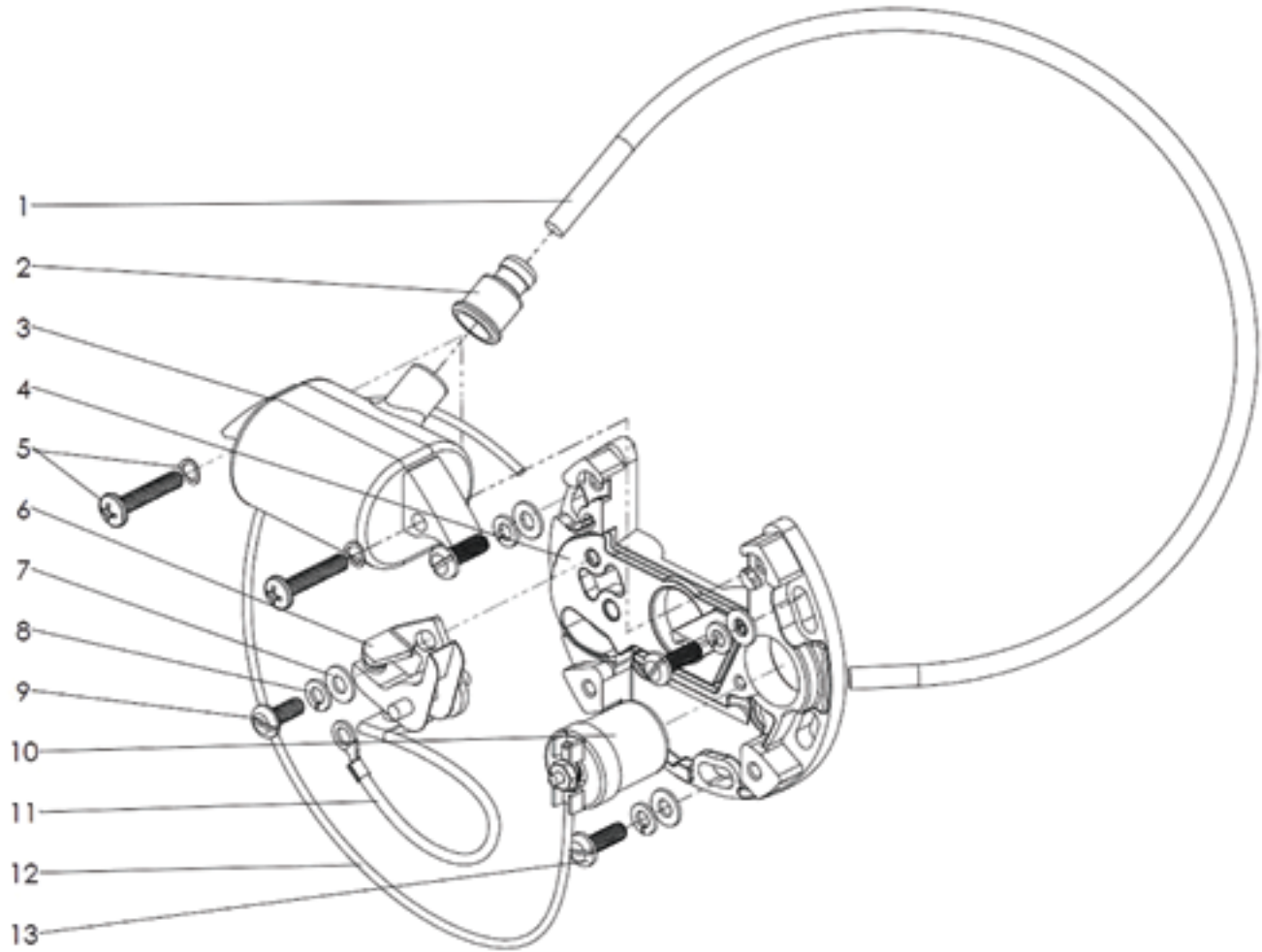






## CUTOUT SWITCH FOR POINT IGNITION

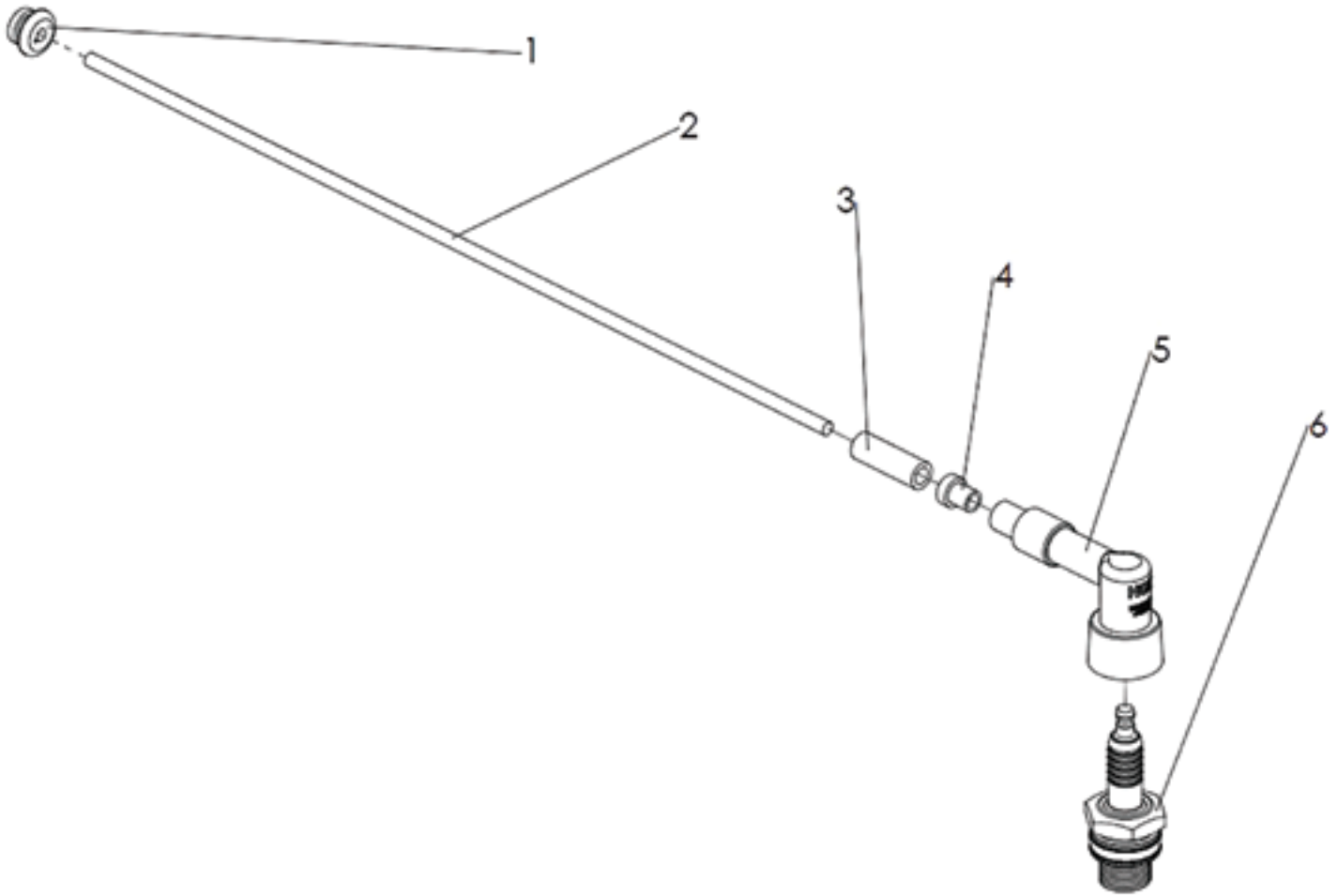
ID	ITEM NO	DESCRIPTION	QTY
--	600115	B-6288 CUTOUT SWITCH, MARK-3	--
1	800462	B-2920-13 RIVET BUTTON HD 1/8" DIA CADM	3
2	800466	B-2428-6 NUT #8-32 HEX NYLON LOCK CADM	2
3	700064	B-6290 MOUNTING PLATE	1
4	800460	B-2920-6 SCREW #8-32X1/2 FLAT CADM	2
5	800697	A-2435 SPRING - TOGGLE	1
6	600133	A-2923 LEVER-ADJUSTMENT	1
7	800459	B-2920-8 SET SCREW #10-32X3/4	1
8	800467	B-2428-4 RIVET 3/32" DIA X 3/16" LG ROUND HEAD ALUM	4
9	800463	B-2920-11 SINGLE LUG ANCHOR	1
10	700020	A-6294 PIN - FULCRUM	1
11	600048	A-6291S AIR VANE FOR B-6288S, S.S.	1
12	800455	A-6289-4 3/32" X 3/32" LG BRASS EYELET	1
13	800390	A-2924 RESET ROD	1
14	800698	A-2434 LINK - TOGGLE SPRING	1
15	800461	B-2920-23 GROMMET	2
16	800620	QSTB010X1/4W STRIP .010" X 1/4" TEMP.BRONZE ALLOY510	1
17	800468	B-2428-20 SCREW #6-32X1 PHILLIPS FLAT BRASS	1
18	700016	A-2717 SPACER COUNTERSUNK, BRASS	1
19	700030	A-4466 BUSHING - FEM ENSULATOR	1
20	600050	A-6293 BRACKET FOR CUTOUT SWITCH B-6288	1
21	800479	B-2428-19 NUT #6-32 HEX BRASS	2
22	800469	B-2428-18 LOCKWASHER #6 ZINC	2
23	600138	A-2926 ELECTRICAL CABLE WITH HOOK	1
24	800458	B-2428-17 WASHER 3/8 FLAT BRASS	3
25	700031	A-4465 BUSHING- M. INSULATOR	1



## ARMATURE PLATE FOR POINT IGNITION

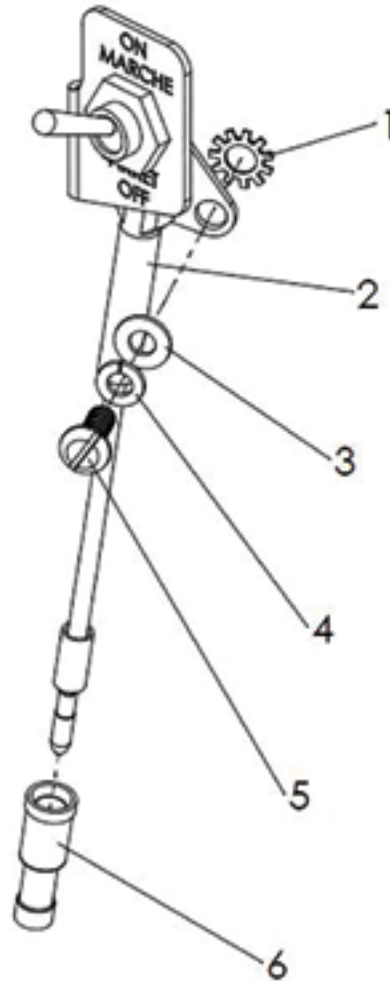
ID	ITEM NO	DESCRIPTION	QTY
-	800124	R-656 ARMATURE PLATE COMPLETE	-
1	800108	R-630 IGNITION CABLE 5MM 365MM LG	1
2	800116	R-654 CAP	1
3	800085	R-661 COIL ONLY (POINTED ENGINE)	1
4	800122	R-659 ARMATURE PLATE (W/ FELT WIPER)	1
5	800497	R-655 SCREW M4X0.7X20 PHILLIPS W/ WASHER	2
6	800079	R-664 POINT WITH CABLE CONDENSER	1
7	800551	R-637 WASHER M4 FLAT ZINC	4
8	800540	R-611 LOCKWASHER M4 SPLIT ZINC	4
9	800494	R-665 SCREW M4-0.7X10 SLOT PAN	1
10	600527	R-662 CONDENSER	1
11	800109*	R-628 CONDENSER CABLE	1
12	800105	R-634 CABLE 16.5" LG, STOP SWITCH	1
13	800110	R-638 MACH. SCREW, PAN SLOTTED	3

\* 800109 is included in item 800079



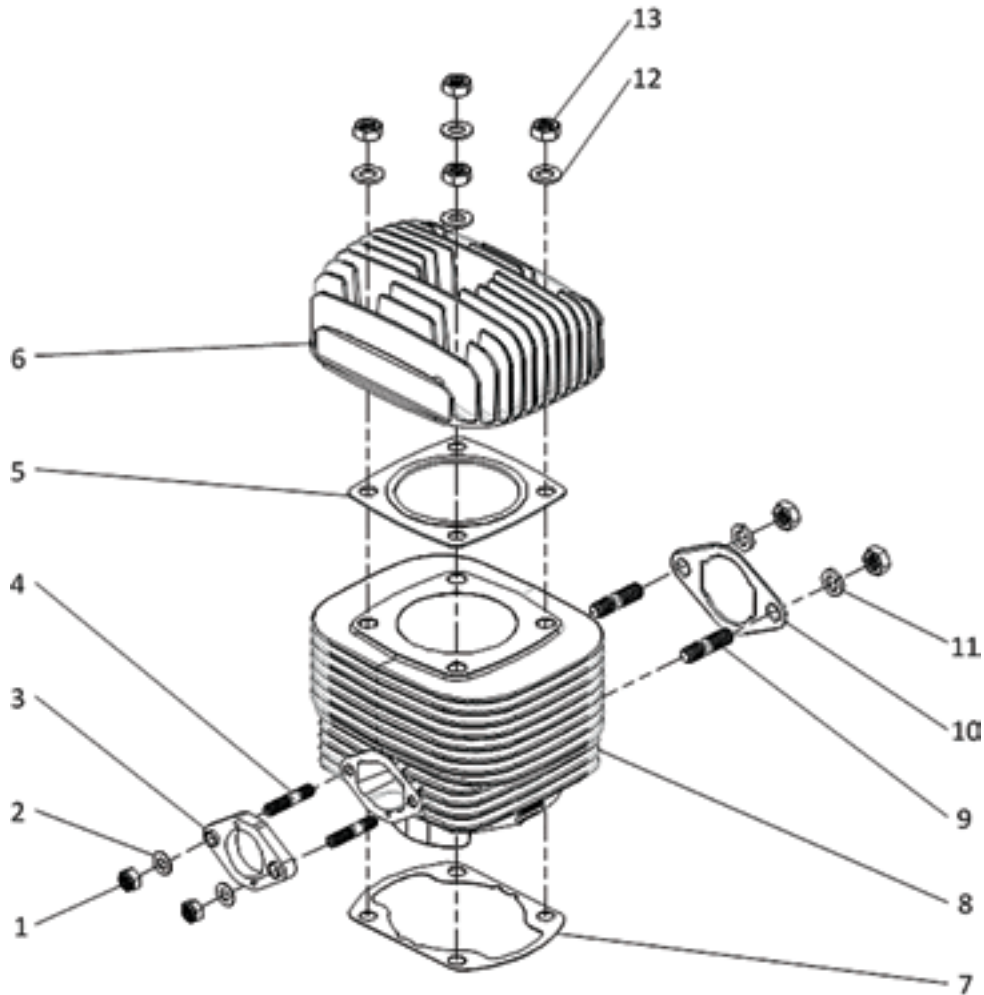
## IGNITION CABLE FOR POINT IGNITION

ID	ITEM NO	DESCRIPTION	QTY
1	800074	R-636 GROMMET	-
2	800108	R-630 IGNITION CABLE 5MM 365MM LG	-
3	800111	R-645 RUBBER SLEEVE 30MM	-
4	800114	R-650A PROTECTOR	-
5	800121	R-650 PROTECTOR, SPARK PLUG	-
6	800850	R-629 SPARK PLUG 18 MM	-
6	800079	R-664 POINT WITH CABLE CONDENSOR	1



## ON-OFF TOGGLE SWITCH

ID	ITEM NO	DESCRIPTION	QTY
-	600530	R-633T STOP SWITCH KIT, TOGGLE TYPE	-
1	800352	12-79 LOCKWASHER #10 EXTERNAL TOOTH	1
2	600066	C-7010-12 STOP-SWITCH AND BRACKET ASSY	1
3	800551	R-637 WASHER M4 FLAT ZINC	1
4	800540	R-611 LOCKWASHER M4 SPLIT ZINC	1
5	800494	R-665 SCREW M4-0.7X10 SLOT PAN	1
6	800983	C-7010-12C CONNECTOR BULLET FEM 16-14	1

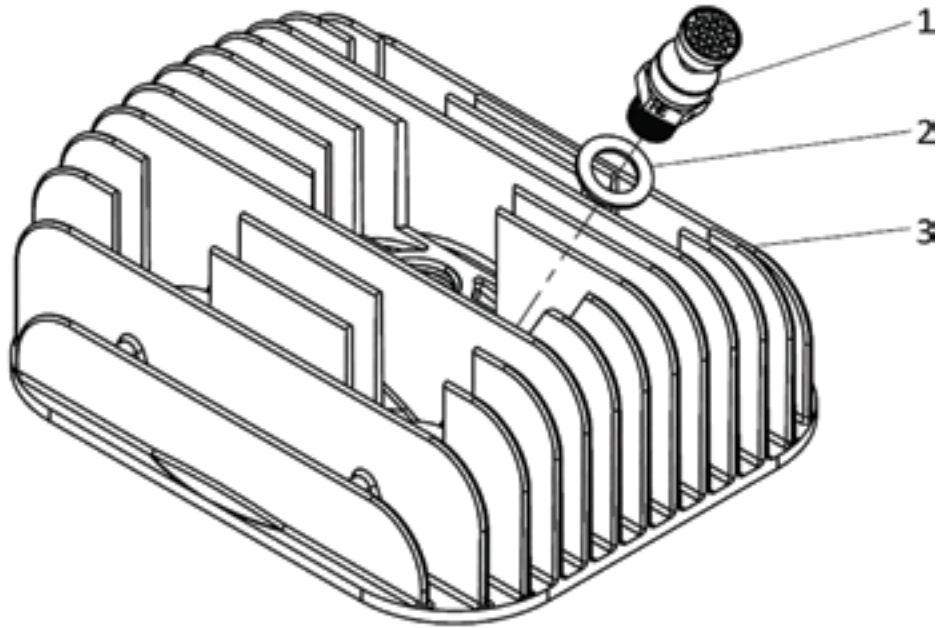


## CYLINDER

ID	ITEM NO	DESCRIPTION	QTY
1	800544	R-150 NUT M6X1.0 HEX FUJI LOCK ZINC	2
2	800545	R-149 LOCKWASHER M6 SPRING ZINC	2
3	600540*	R-1113N GASKET CARBURATOR	1
4	800103	R-402 STUD M6 X 1.0 X 32.5 MM LG	2
5	800066*	R-238 GASKET CYLINDER HEAD	1
6	800038	R-233 CYLINDER HEAD, 18 MM THREADS	1
7	800046*	R-235 GASKET CYLINDER BASE	1
8	701233	R-257NR NIKASIL CYLINDER RED GRADE 185CC	1
8	701232	R-257NG NIKASIL CYLINDER GREEN GRADE 185CC	1
9	800062	R-117 STUD M8 X 1.25 X 32 MM LG	2
10	800067*	R-237 GASKET MUFFLER	1
11	800548	R-119 LOCKWASHER M8 SPLIT ZINC	2
12	800539	R-206 WASHER M8 FLAT ZINC	4
13	800040	R-120 HEX NUT M8 X 1.25	6

\* Included in 185cc Gasket Kit Top End (600590)





## CYLINDER HEAD WITH DECOMPRESSION SWITCH

ID	ITEM NO	DESCRIPTION	QTY
-	600152	R-233DS CYL HEAD W/ DECOMP SWITCH AND HEAD GASKET	-
1	600083	A-7627 DECOMPRESSION SWITCH (MODIFIED) FOR MK-3-DS	2
2	800473	A-7628 COPPER GASKET DECOMPRESSION SW	3
3	-	R-233DS-1 CYLINDER HEAD MACHINED FOR DECOMP SWITCH (NOT SOLD SEPARATELY)	3
-	800066	R-238 GASKET CYLINDER HEAD (INCLUDED IN R-233DS)	3



# MARK-3<sup>®</sup>



## WHY IS THE MARK-3<sup>®</sup> POWERED BY A 2-STROKE ENGINE?

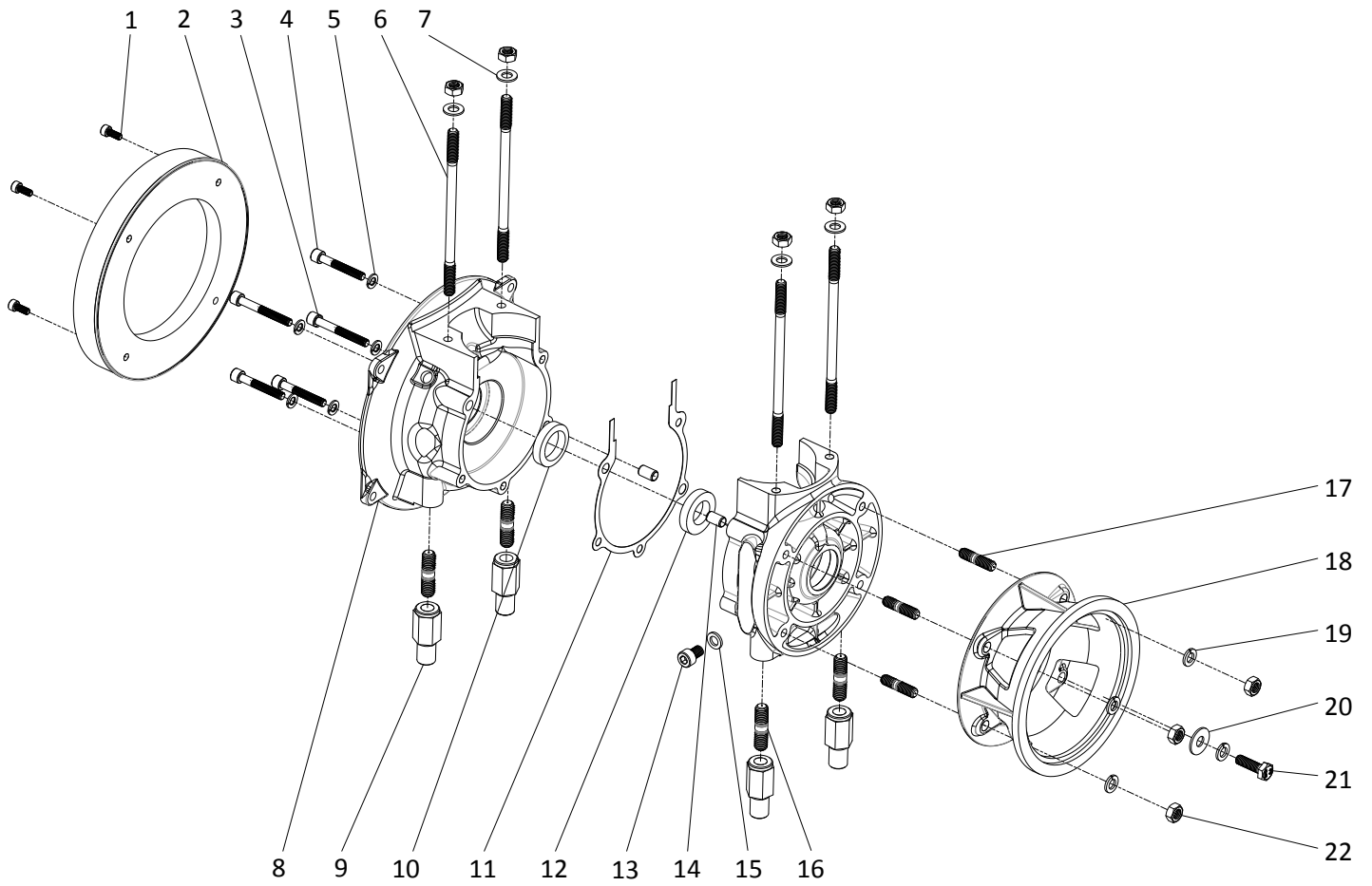
When fires occur in remote areas such as in wildland forests and mountainous regions, the unmatched power-to-weight ratio of a two-stroke engine provides for a powerful yet lighter and more compact unit. This is critical for quick response, quick relocation, and quick movement of the unit without slowing down or tiring a firefighter.

**WHEN YOU'RE HERE, THERE'S NO ROOM FOR COMPROMISE.  
YOU CAN TRUST THE MARK-3<sup>®</sup> TO MOVE WATER.**

Trusted in the wildland firefighting community for generations.

**WATERAX**   
**WE MOVE WATER<sup>®</sup>**

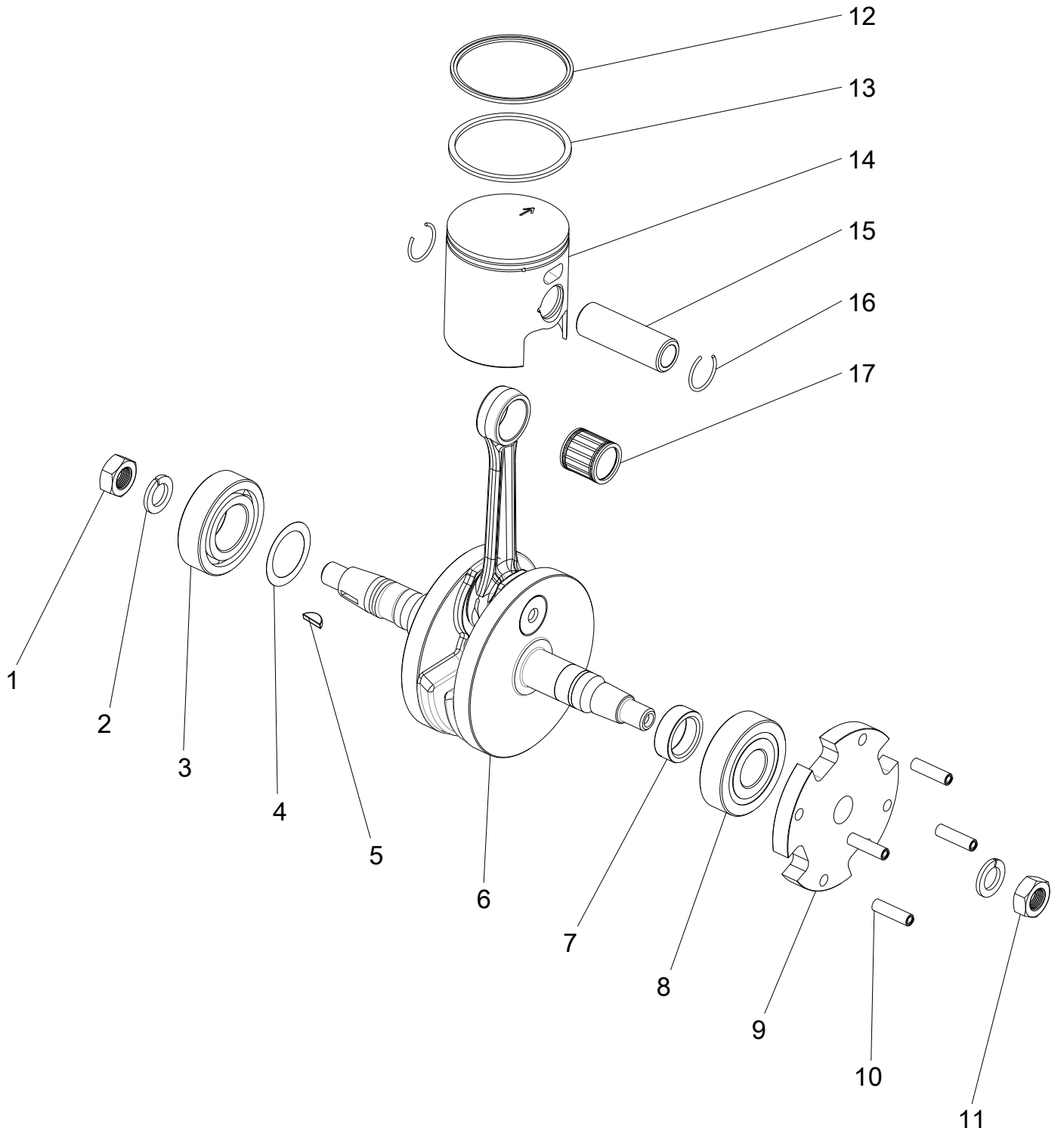






## CRANKCASE

ID	ITEM NO	DESCRIPTION	QTY
1	800058	R-146 ALLEN SCREW M5X12	4
2	800053	R-144 SHIELD – DUST (LABYRINTH RING)	1
3	800556	R-105 SCREW M6X1.0X50 HEX SOCKET CAP ZINC DIN912	2
4	800044	R-132 SCREW M6X1.0X40 HEX SOCKET CAP ZINC DIN912	3
5	801107	LOCKWASHER M6 SPLIT BOWED ZINC DICHROMATE DIN128A	5
6	800041	R-236 STUD M8 X 1.25 X 151 MM LG	4
7	800539	R-206 WASHER M8 FLAT ZINC	4
8	701111	R-152N CRANKCASE HALVES SET (W/ DOWELS)	1
9	600037	A-6149P MARK-3 MOUNTING LEG, PLATED	4
10	800501	R-342 OIL SEAL 0.983"	1
11	800054	R-133 GASKET FOR CRANKCASE	1
12	800547	R-123 OIL SEAL 0.788"	1
13	800509	FAST-51 SCREW M8X1.25X12 HEX SOCKET	1
14	800036	R-103 DOWEL TUBE 8.4 OD X 7 ID X 14 LG (MM)	2
15	800069	R-113 GASKET, METAL	1
16	800043	R-130 STUD M10 X 1.5 X 39 MM LG	4
17	800062	R-117 STUD M8 X 1.25 X 32 MM LG	3
18	700124	R-136 PUMP MOUNTING FLANGE FOR MARK-3, ALU.	4
19	800548	R-119 LOCKWASHER M8 SPLIT ZINC	4
20	700071	C-5370-11 WASHER 7/8"OD X 11/32"ID X 1/16"TH, S.S.	1
21	800416	RA-108 SCREW M8X1.25X25 HEX CAP ZINC	1
22	800040	R-120 HEX NUT M8 X 1.25	7







## CRANKSHAFT ASSEMBLY, PISTONS AND SHIMS

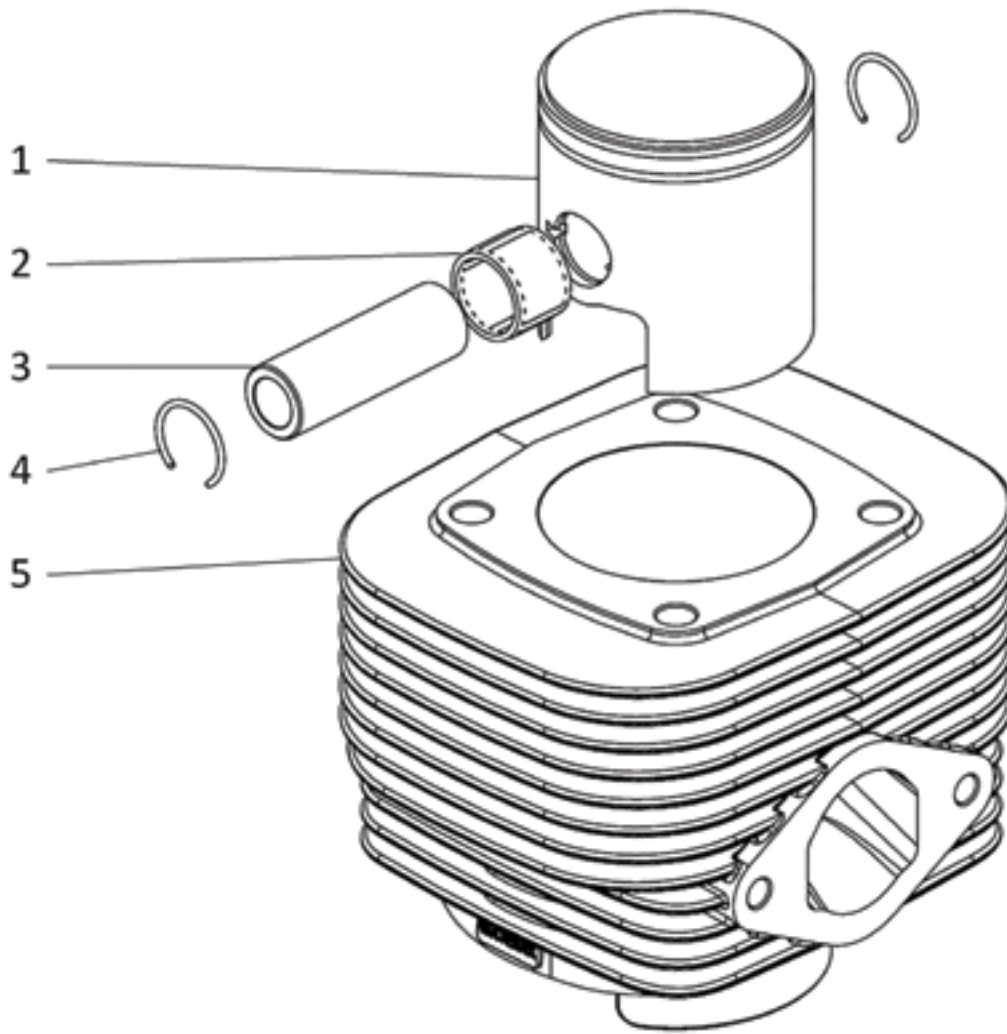
ID	ITEM NO	DESCRIPTION	QTY
1	800018	R-303 HEX NUT M12 X 1.0 X 12 MM THK	1
2	800064	R-301 WAVE LOCKWASHER, 12 MM BLACK	2
3	800502	R-343 BALL BEARING 0.983"ID	1
4	--	SHIM(S) (FLYWHEEL SIDE)	-
5	800019	R-305 KEY, 3 MM X 5 MM	1
6	801196	R-341N CRANKSHAFT/CONN. ROD ASSY	1
7	800029	R-334 CRANKSHAFT STEEL SPACER	1
8	800507	R-333 BALL BEARING 0.788"ID	1
9	800011	R-315 COLLAR COUPLING	1
10	800362	12-18 COILED SPRING PIN 1/4" X 7/8"	4
11	800035	R-302 HEX NUT M12 X 1.0 X 8 MM THK	1
12	800032	R-331-1 L-TYPE PISTON RING	1
13	800017	R-331 PISTON RING 0.078"	1
14	801270	R-332R PISTON WITH RINGS STANDARD SIZE RED GRADE	1
14	801269	R-332G PISTON WITH RINGS STANDARD SIZE GREEN GRADE	1
15	800030	R-328 GUDGEON PIN	1
16	800028	R-329 CIRCLIP	2
17	800009	R-324 NEEDLE BEARING	1

ID	ITEM NO	DESCRIPTION	QTY
-	800025	R-344 SHIM .0044" (FLYWHEEL SIDE)	As req'd
-	800024	R-345 SHIM .012" (FLYWHEEL SIDE)	As req'd
-	800023	R-346 SHIM .020" (FLYWHEEL SIDE)	As req'd
-	800049	R-347 SHIM .039" (FLYWHEEL SIDE)	As req'd
-	800014*	R-307 SHIM .008" (COUPLING SIDE)	As req'd
-	800007*	R-308 SHIM .012" (COUPLING SIDE)	As req'd
-	800015*	R-309 SHIM .016" (COUPLING SIDE)	As req'd
-	800021*	R-310 SHIM .020" (COUPLING SIDE)	As req'd
-	800012*	R-312 SHIM .040" (COUPLING SIDE)	As req'd

\* For older engines (20 mm ID)

## OVERSIZED PISTONS

ID	ITEM NO	DESCRIPTION	QTY
-	801272	R-332-OR PISTON WITH RINGS OVERSIZE RED GRADE	-
-	801271	R-332-OG PISTON WITH RINGS OVERSIZE GREEN GRADE	-
-	800022	R-331-O-1 OVERSIZED L-TYPE PISTON RING	-
-	800031	R-331-O OVERSIZED PISTON RING 0.078"	-



## CYLINDER & PISTON KIT NIKASIL

ID	ITEM NO	DESCRIPTION	QTY
-	801273*	CYLINDER & PISTON KIT NIKASIL	-
1	801270*	R-332R 185CC PISTON W/RINGS STD SIZE RED GRADE	1
2	800009	R-324 185CC NEEDLE BEARING	1
3	800030	R-328 185CC GUDGEON PIN	1
4	800028	R-329 185CC CIRCLIP	2
5	701233*	R-257NR 185CC CYLINDER NIKASIL RED GRADE	1

\* Note: Factory matched Nikasil cylinder and piston kit. Kit grade may be red or green.

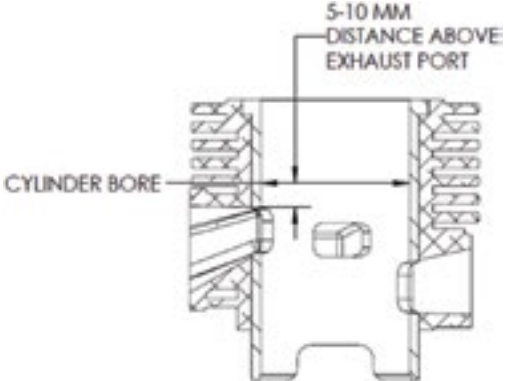
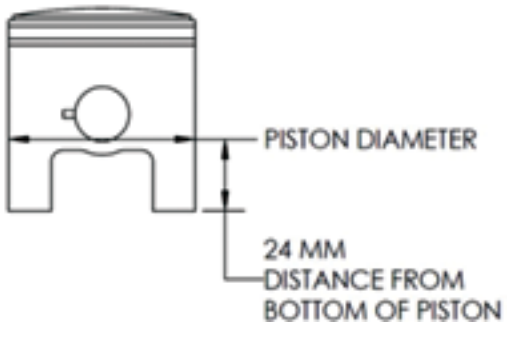


## PISTON / CYLINDER MATCHING

During engine top end repair, it is highly recommended to match the piston with the cylinder in order to obtain the correct piston/cylinder clearance. To facilitate the matching process, a color scheme is used: red piston matches with red cylinder; green piston matches with green cylinder. Each piston and cylinder grade has its unique item number.

For optimal engine performance, reliability and durability, it is very important to have the correct piston/cylinder clearance. A clearance that is too tight can cause the piston to seize. An engine with a clearance that is too loose will generate less power, more noise and may accelerate engine wear.

The piston/cylinder clearance is defined as the difference between the cylinder bore and the piston diameter. See the table below for instructions on how to measure the cylinder bore and piston diameter:

<p>To determine the cylinder bore, use a calibrated dial bore gauge and measure the cylinder bore at a distance of 5 to 10 mm above the exhaust port. See image.</p>	
<p>To determine the piston diameter, use a calibrated micrometer and measure the piston diameter at a distance of 24 mm from the bottom of the piston. The measurement should be taken perpendicular to the piston pin axis (piston is oval). See image.</p>	
<p>Notes: Measurements should be taken in a temperature controlled room adjusted at 20 °C [68 °F]. Measuring instruments must be calibrated.</p>	

Depending on the type of cylinder (Nikasil coated or cast iron sleeve), the required clearance will vary:

PISTON / CYLINDER CLEARANCE	
CAST IRON SLEEVE CYLINDER	0.06 - 0.08 mm 0.0024 - 0.0031 in
NIKASIL COATED CYLINDER	0.04 - 0.06 mm 0.0016 - 0.0024 in



# WATERAX TECHNOLOGY CENTER



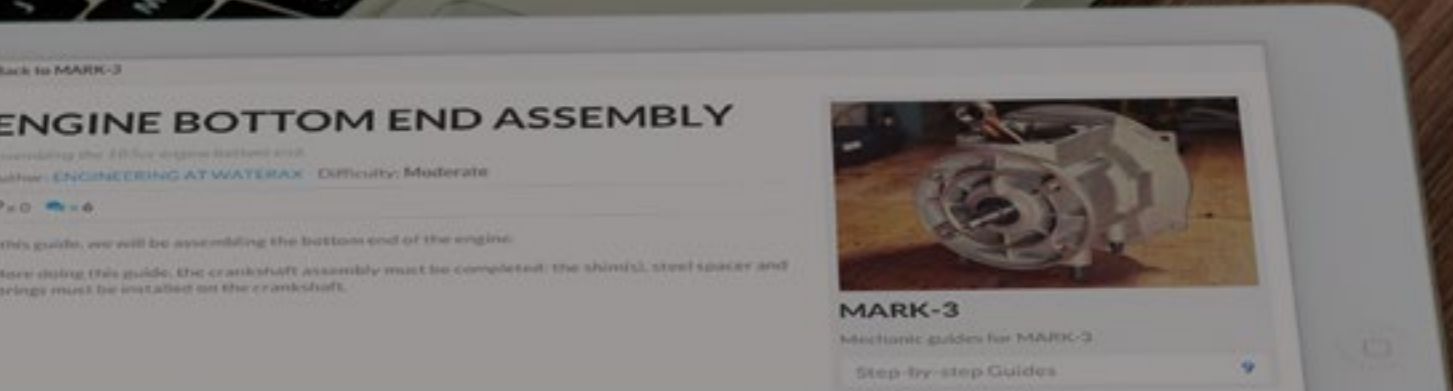
Log in the **WATERAX** technology center to access step-by-step mechanic guidebooks, detailed how-to videos, tools and relevant parts. You can also post comments and ask questions directly on the platform to get answers from our engineering team.

Discover the **WATERAX** technology center here.

[WATERAX TECHNOLOGY CENTER >](#)







**WATERAX**   
**WE MOVE WATER®**



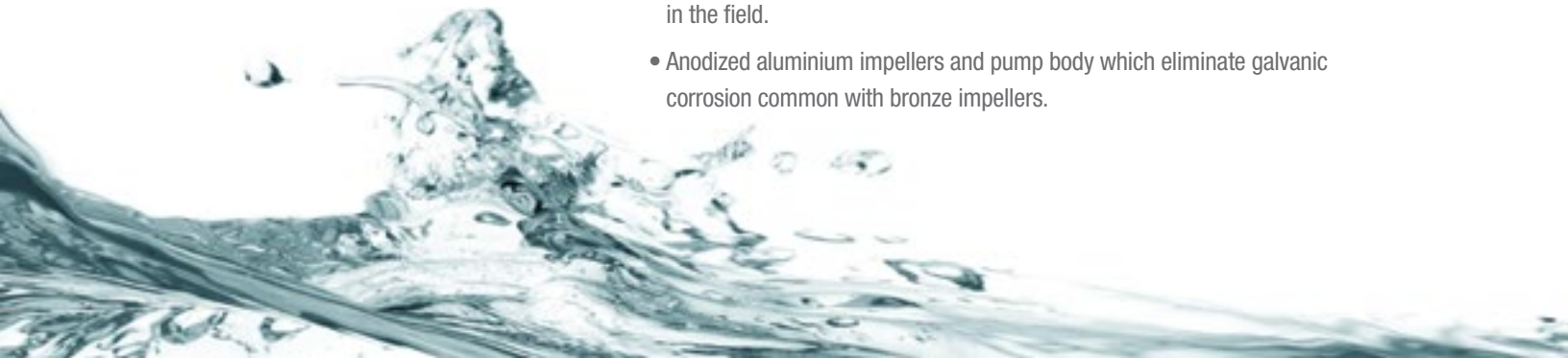




# HIGH-PRESSURE PUMP ENDS

**WATERAX** offers of a complete line of high performance pump ends suited to meet the most difficult water handling requirements. The performance and dependability of our pumps come from our superior multi-stage pump end design, patentend in 1958, that provides unrivaled pressure and volume.

- Unique blister resistant mechanical rotary seal to prolong pump end longevity.
- Maintenance-free sealed bearing to avoid the need for greasing the pump end in the field.
- Anodized aluminium impellers and pump body which eliminate galvanic corrosion common with bronze impellers.





**WATERAX** high-pressure centrifugal pump ends are offered in 4-stage, 3-stage and 2-stage configurations. They deliver pressure up to 440 PSI (30.3 BAR) and flows reaching 106 GPM (401 L/min) and are ideal pump ends for moving water over long distance and high elevation.

Visit the exclusive **WATERAX** Genuine Parts Store. Order all of your **WATERAX** genuine parts here:



[SHOP US WEBSITE >](#)



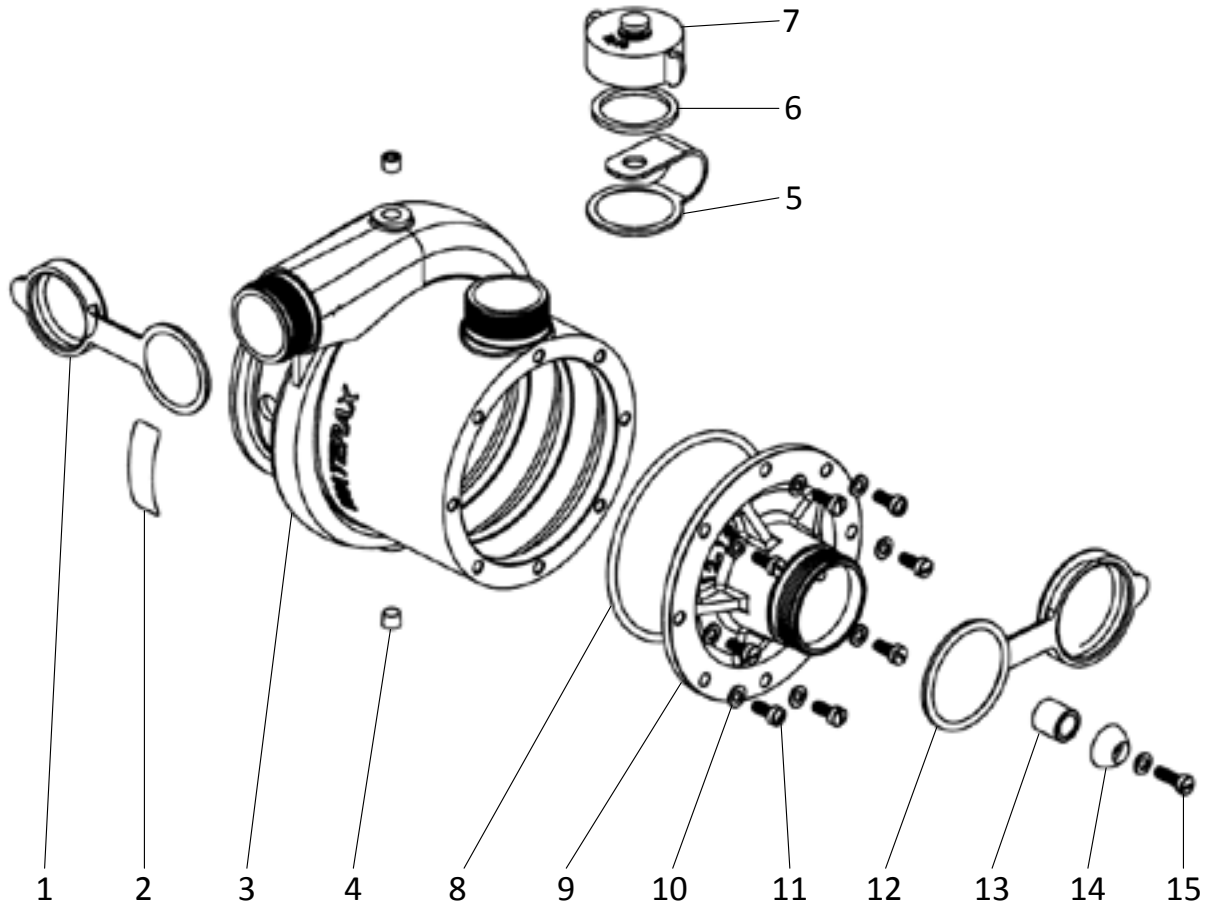
[SHOP CANADIAN WEBSITE >](#)

**WATERAX**   
**WE MOVE WATER®**





# HIGH-PRESSURE PUMP ENDS



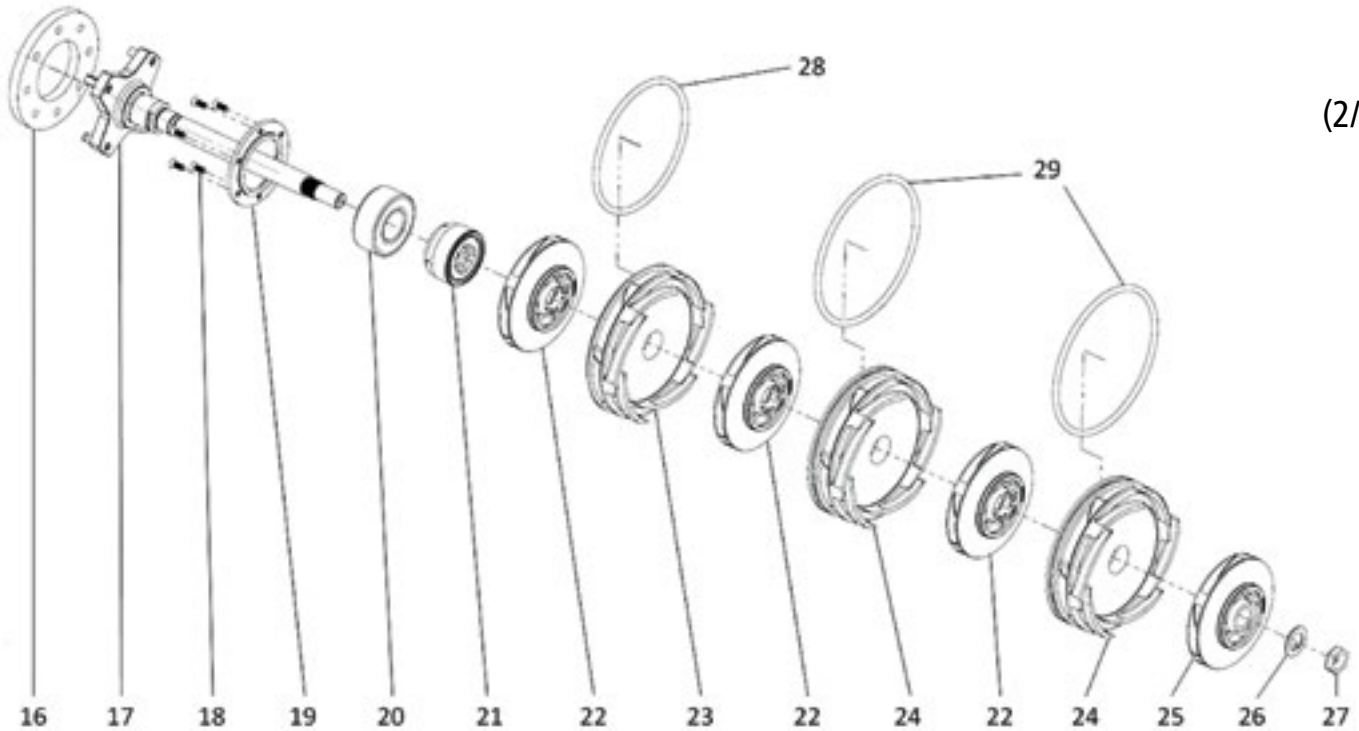
(1/2)

## 12-16S / 4 STAGE

ID	ITEM NO	DESCRIPTION	QTY
1	700023	A-5536 PROTECTIVE CAP FOR 1-1/2" DISCHARGE	1
2	700994	DECAL-35 NO GREASE DECAL	1
3	700068	12-8 PUMP BODY FOR 12-16	1
4	800366	12-73 PLUG, 1/8" BRASS	2
5	700024	A-5538 RETAINER FOR PRIMING CAP	1
6	700651	12-43 HOSE THREAD GASKET 38 MM NPSH	1
7	700048	12-10 CAP FOR PRIMING PORT, ALU	1
8	800363	12-27 O-RING	1
9	600380	12-12A SUCTION COVER - INCLUDES 12-40	1
10	800360	12-38 LOCKWASHER 1/4 SPLIT SS	9
11	800359	12-39 SCREW 1/4-28X9/16 SLOT FILLISTER SS	8
12	700022	A-5537 PROTECTIVE CAP FOR 2" SUCTION	1
13	700029	12-40 BUSHING BEARING, BRONZE	1
14	700069	12-13 NOSE FOR SHAFT, ALU.	1
15	800343	12-42 SCREW 1/4-28X3/4 SLOT FILLISTER NYLONLOCK SS	1



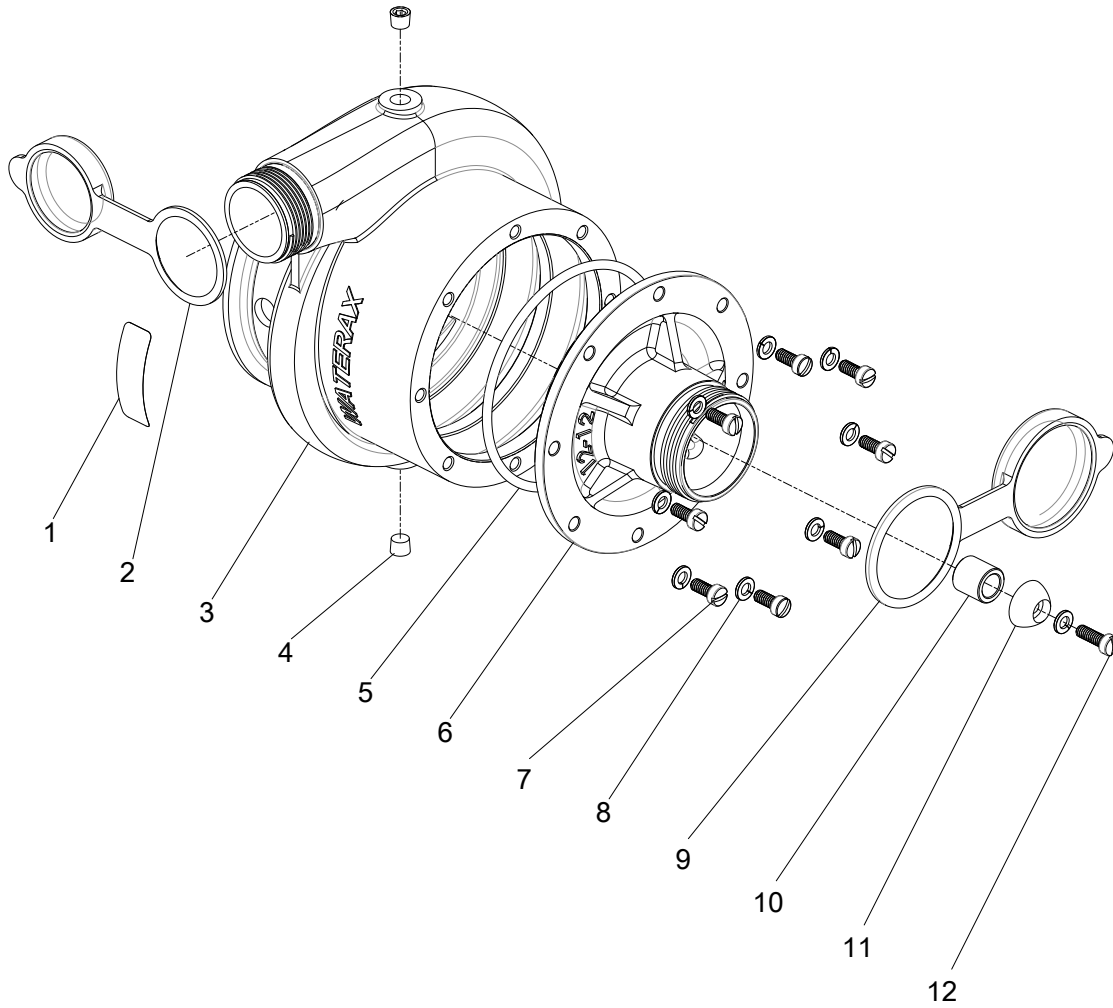
(2/2)



## 12-16S / 4 STAGE SHAFT ASSEMBLY

ID	ITEM NO	DESCRIPTION	QTY
16	700006	12-17 COUPLING BUFFER	1
17	700037*	12-2C PUMP SHAFT FOR 12-16	1
18	800364	12-25 SCREW #8-32X7/16 PHILLIPS FLAT NYLON LOCK SS	6
19	700032*	12-3 RETAINING RING FOR BEARING, ALU.	1
20	700044*	12-48S DOUBLE ROW BALL BEARING WITH SEAL	1
21	700008	12-28NS MECHANICAL ROTARY SEAL	1
22	700036**	12-7 IMPELLER, ALU.	3
23	700014	12-6 DISTRIBUTOR, ALU.	1
24	700065	12-9 DISTRIBUTOR, ALU.	2
25	700074**	12-11 IMPELLER, ALU	1
26	600089**	12-49 LOCKWASHER SS	1
27	700012**	12-50 LOCK NUT SS	1
28	800450	12-26 O-RING	1
29	800363	12-27 O-RING	2
-	701169	GASKET BURASIL FOR 12-28NS SEAL	-
-	701170	O-RING FOR 12-28NS SEAL	-
-	600149	12-2DS PUMP SHAFT SUB-ASSY W/ IMPEL, SEALED BEARING (INCL. * & ** ITEMS)	-
-	600147	12-2ES PUMP SHAFT SUB-ASSY, SEALED BEARING (INCL. * ITEMS)	-

NOTE: The sealed bearing eliminates pump failure dangers related to improper greasing by completely removing the need to grease the pump end bearing.



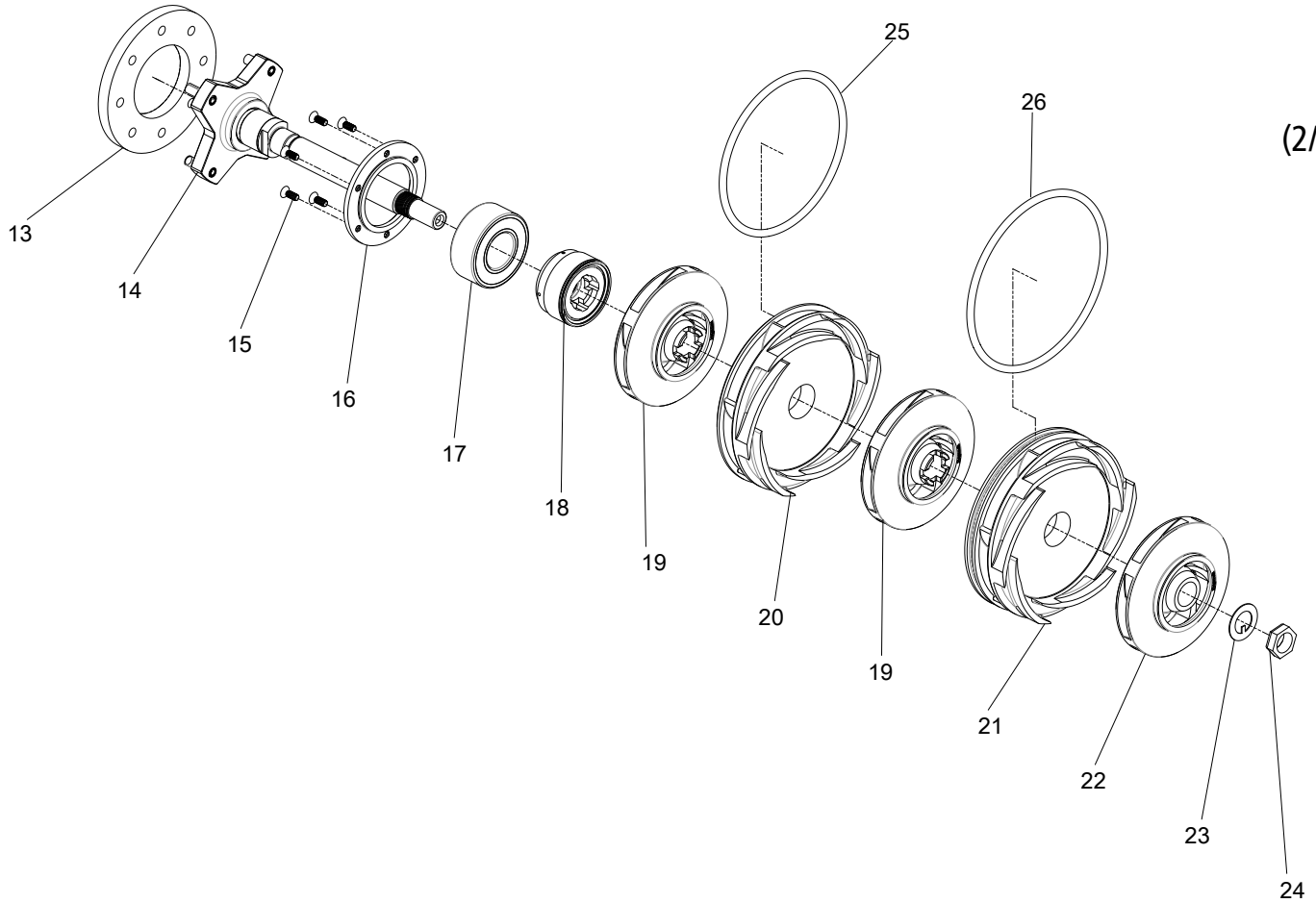
## 18-16S / 3 STAGE

ID	ITEM NO	DESCRIPTION	QTY
1	700994	DECAL-35 NO GREASE DECAL	1
2	700023	A-5536 PROTECTIVE CAP FOR 1-1/2" DISCHARGE	1
3	700041	18-8 PUMP BODY FOR 18-16	1
3	700076	25-8 PUMP BODY FOR 25-16	-
4	800366	12-73 PLUG, 1/8" BRASS	2
5	800363	12-27 O-RING	1
6	600380	12-12A SUCTION NOZZLE-INCLUDES 12-40	1
7	800359	12-39 SCREW 1/4-28X9/16 SLOT FILLISTER SS	8
8	800360	12-38 LOCKWASHER 1/4 SPLIT SS	9
9	700022	A-5537 PROTECTIVE CAP FOR 2" SUCTION	1
10	700029	12-40 BUSHING BEARING, BRONZE	1
11	700069	12-13 NOSE FOR SHAFT, ALU.	1
12	800343	12-42 SCREW 1/4-28X3/4 SLOT FILLISTER NYLONLOCK SS	1





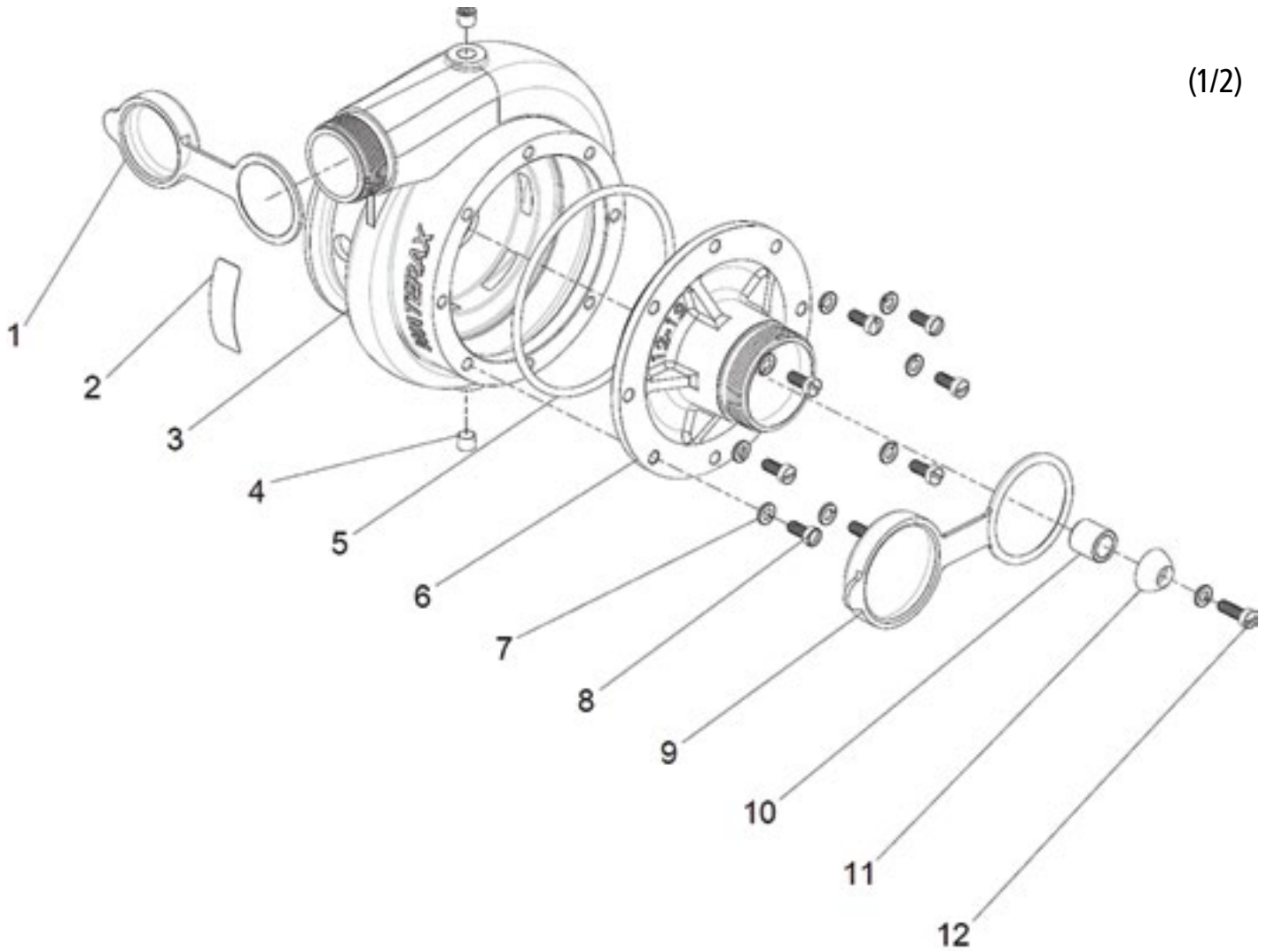
(2/2)



## 18-16S / 3 STAGE SHAFT ASSEMBLY

ID	ITEM NO	DESCRIPTION	QTY
13	700006	12-17 COUPLING BUFFER	1
14	700042	18-2C PUMP SHAFT FOR 18-16	1
14	700066	25-2C PUMP SHAFT FOR 25-16	-
15	800364	12-25 SCREW #8-32X7/16 PHILLIPS FLAT NYLON LOCK SS	6
16	700032	12-3 RETAINING RING FOR BEARING, ALU.	1
17	700044	12-48S DOUBLE ROW BALL BEARING WITH SEAL	1
18	700008	12-28NS MECHANICAL ROTARY SEAL	1
19	700036	12-7 IMPELLER, ALU.	2
20	700014	12-6 DISTRIBUTOR, ALU.	1
21	700065	12-9 DISTRIBUTOR, ALU.	1
22	700074	12-11 IMPELLER, ALU	1
23	600089	12-49 LOCKWASHER SS	1
24	700012	12-50 LOCK NUT SS	1
25	800450	12-26 O-RING	1
26	800363	12-27 O-RING	1
-	701169	GASKET BURASIL FOR 12-28NS SEAL	-
-	701170	O-RING FOR 12-28NS SEAL	-

(1/2)

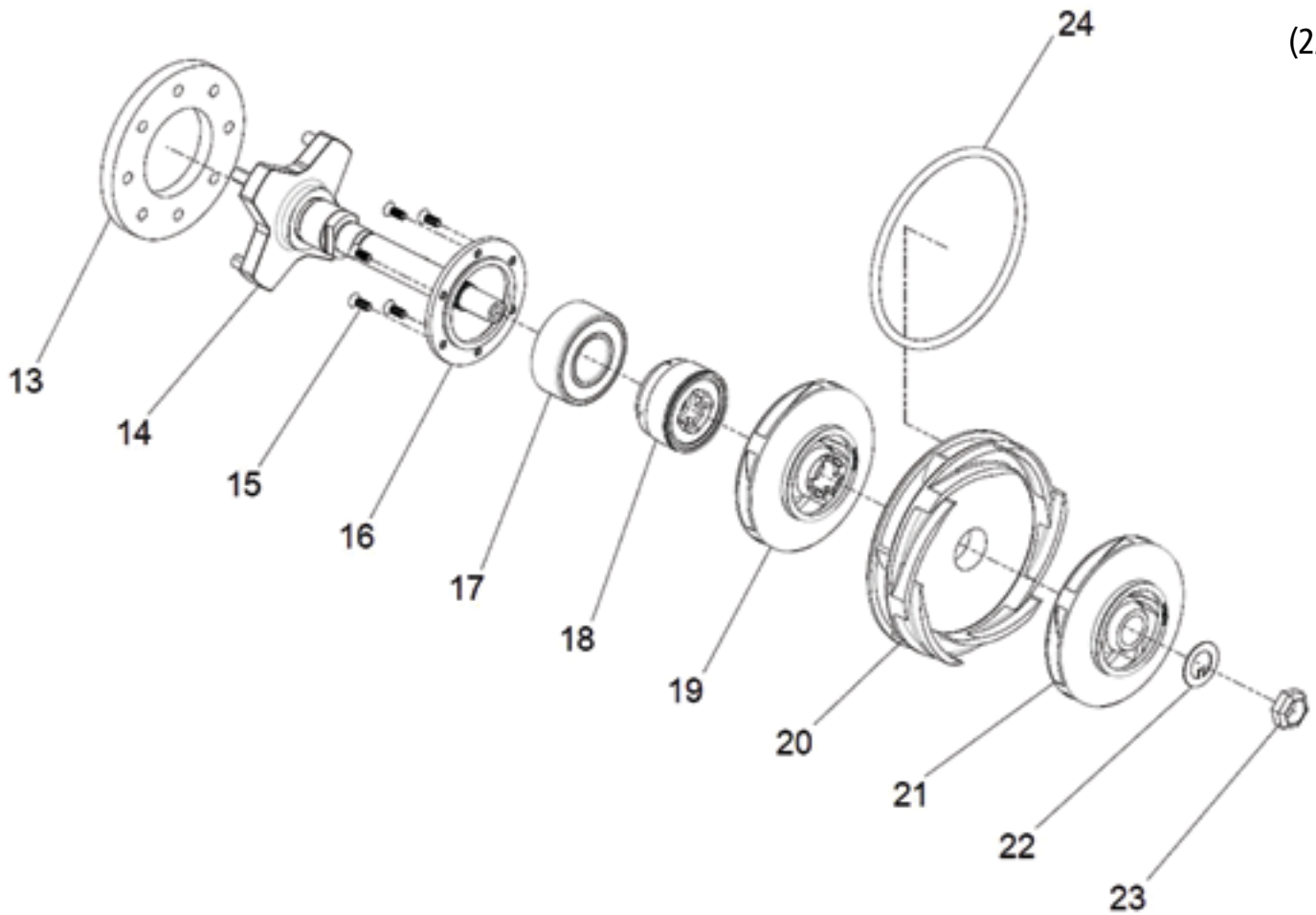


**25-16S / 2 STAGE**

ID	ITEM NO	DESCRIPTION	QTY
1	700023	A-5536 PROTECTIVE CAP FOR 1-1/2" DISCHARGE	1
2	700994	DECAL-35 NO GREASE DECAL	1
3	700076	25-8 PUMP BODY FOR 25-16	1
4	800366	12-73 PLUG, 1/8" BRASS	2
5	800363	12-27 O-RING #247, NITRILE, 70 DURO	1
6	600380	12-12A SUCTION NOZZLE-INCLUDES 12-40	1
7	800360	12-38 LOCKWASHER 1/4 SPLIT SS	9
8	800359	12-39 SCREW 1/4-28X9/16 SLOT FILLISTER SS	8
9	700022	A-5537 PROTECTIVE CAP FOR 2" SUCTION	1
10	700008	12-28NS MECHANICAL ROTARY SEAL	1
11	700069	12-13 NOSE FOR SHAFT, ALU.	1
12	800343	12-42 SCREW 1/4-28X3/4 SLOT FILLISTER NYLONLOCK SS	1
13	700006	12-17 COUPLING BUFFER	1



(2/2)



## 25-16S / 2 STAGE SHAFT ASSEMBLY

ID	ITEM NO	DESCRIPTION	QTY
14	700066	25-2C PUMP SHAFT FOR 25-16	1
15	800364	12-25 SCREW #8-32X7/16 PHILLIPS FLAT NYLON LOCK SS	6
16	700032	12-3 RETAINING RING FOR BEARING, ALU.	1
17	700044	12-48S DOUBLE ROW BALL BEARING WITH SEAL	1
18	700008	12-28NS MECHANICAL ROTARY SEAL	1
19	700036	12-7 IMPELLER, ALU.	1
20	700014	12-6 DISTRIBUTOR, ALU.	1
21	700074	12-11 IMPELLER, ALU	1
22	600089	12-49 LOCKWASHER SS/	1
23	700012	12-50 LOCK NUT SS/1	1
24	800450	12-26 O-RING #243, NITRILE, 70 DURO	1



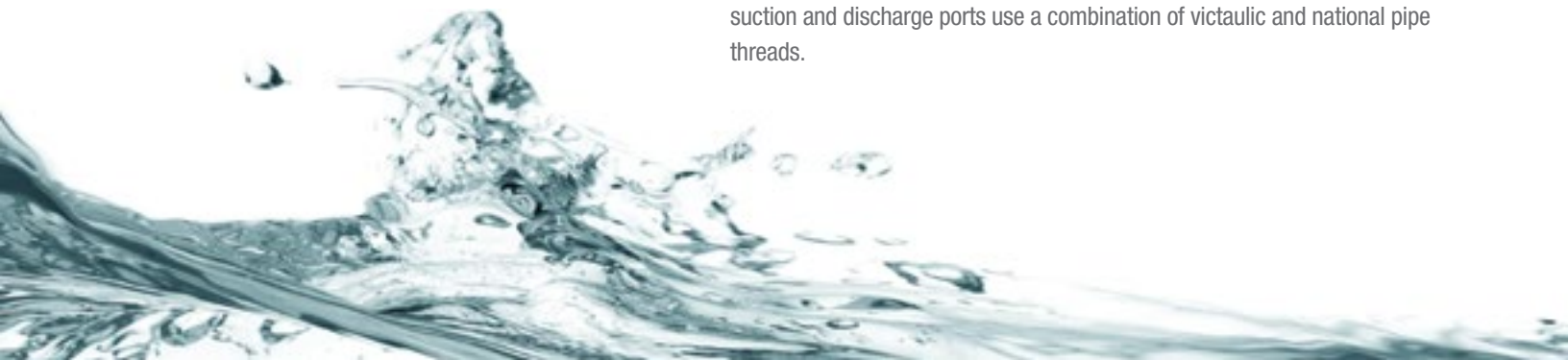


# MID-RANGE PUMP END



The **WATERAX B2X™** is a mid-range 2-stage centrifugal pump end that delivers pressure up to 200 PSI (13.8 BAR) and flows reaching 300 US GPM (1136 L/min). With strong pressure and volume, it's the ideal pump end for dual attack lines dedicated to wildland and urban interface operations.

It is also an excellent choice for high volume remote watering, booster line applications, brush trucks, slip-on units and for uphill tandem operations. Its suction and discharge ports use a combination of victaulic and national pipe threads.







Access all related documents, such as support documents, tech-notes, data sheets, owner's manuals and educational videos at the **WATERAX** Genuine Parts Store.

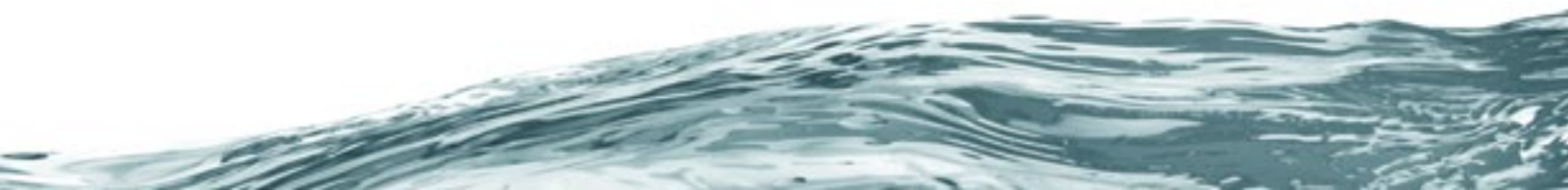


[SHOP US WEBSITE >](#)



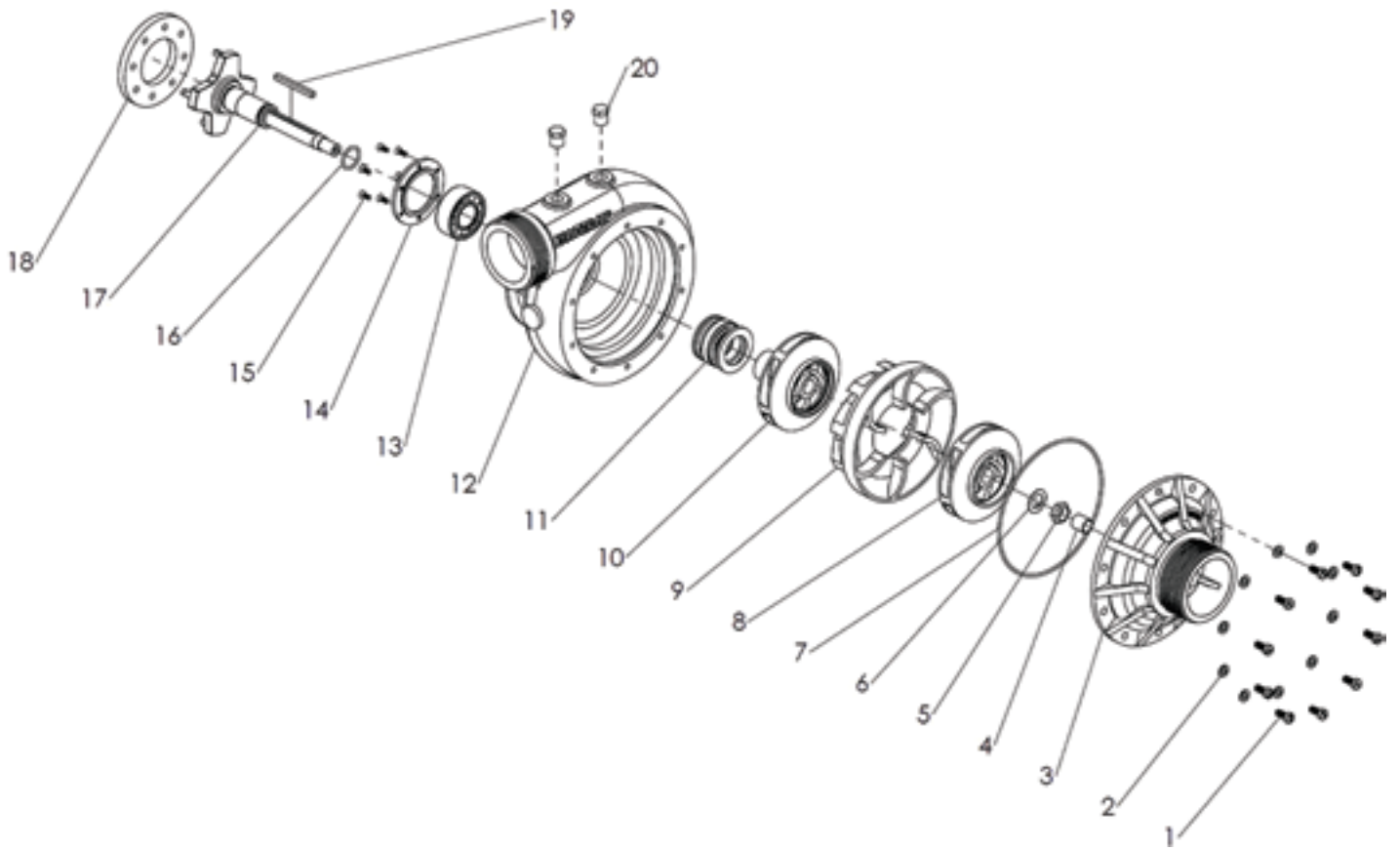
[SHOP CANADIAN WEBSITE >](#)

**WATERAX**   
**WE MOVE WATER®**





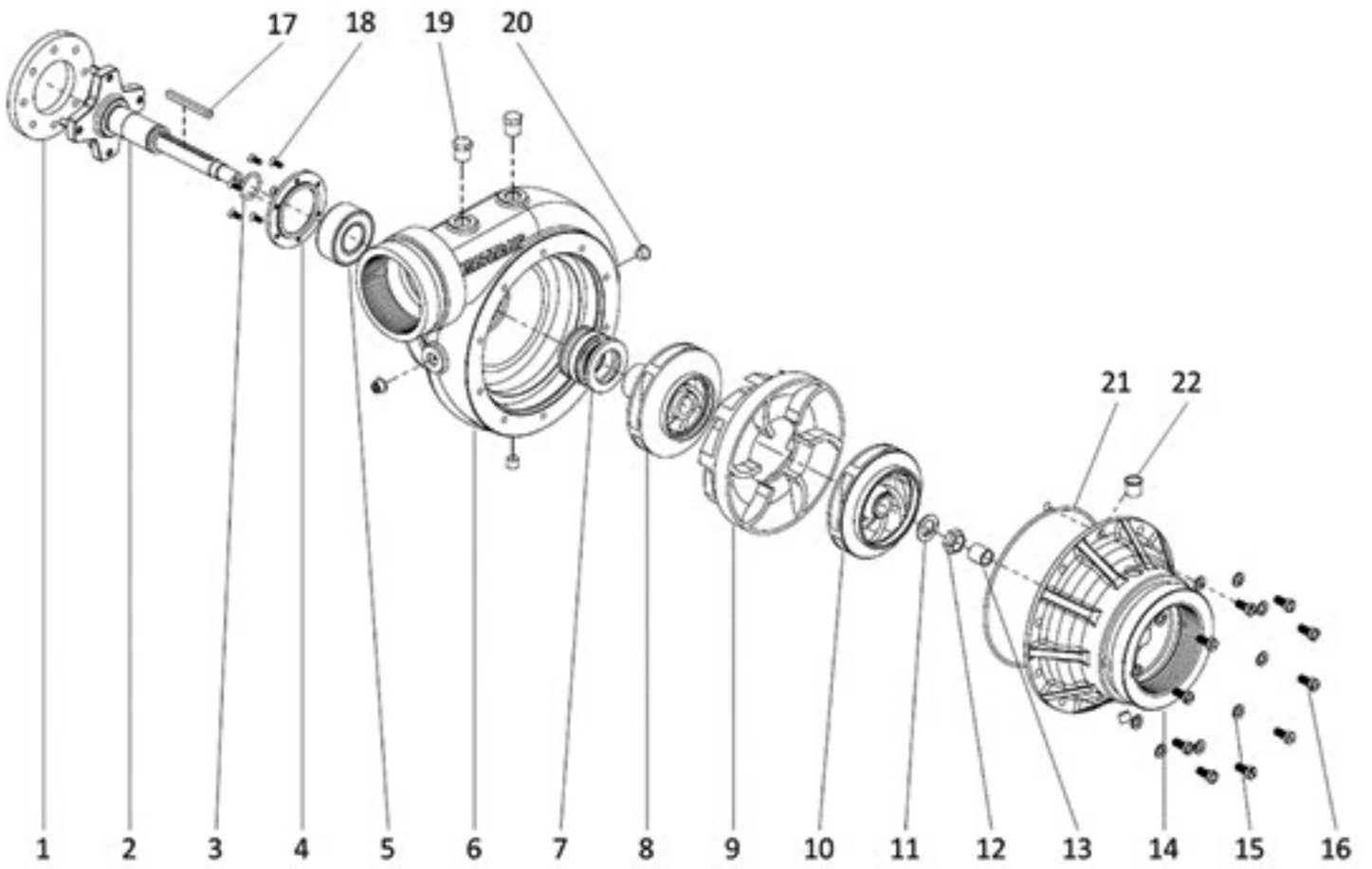
# MID-RANGE PUMP ENDS





## B-2 / 2 STAGE

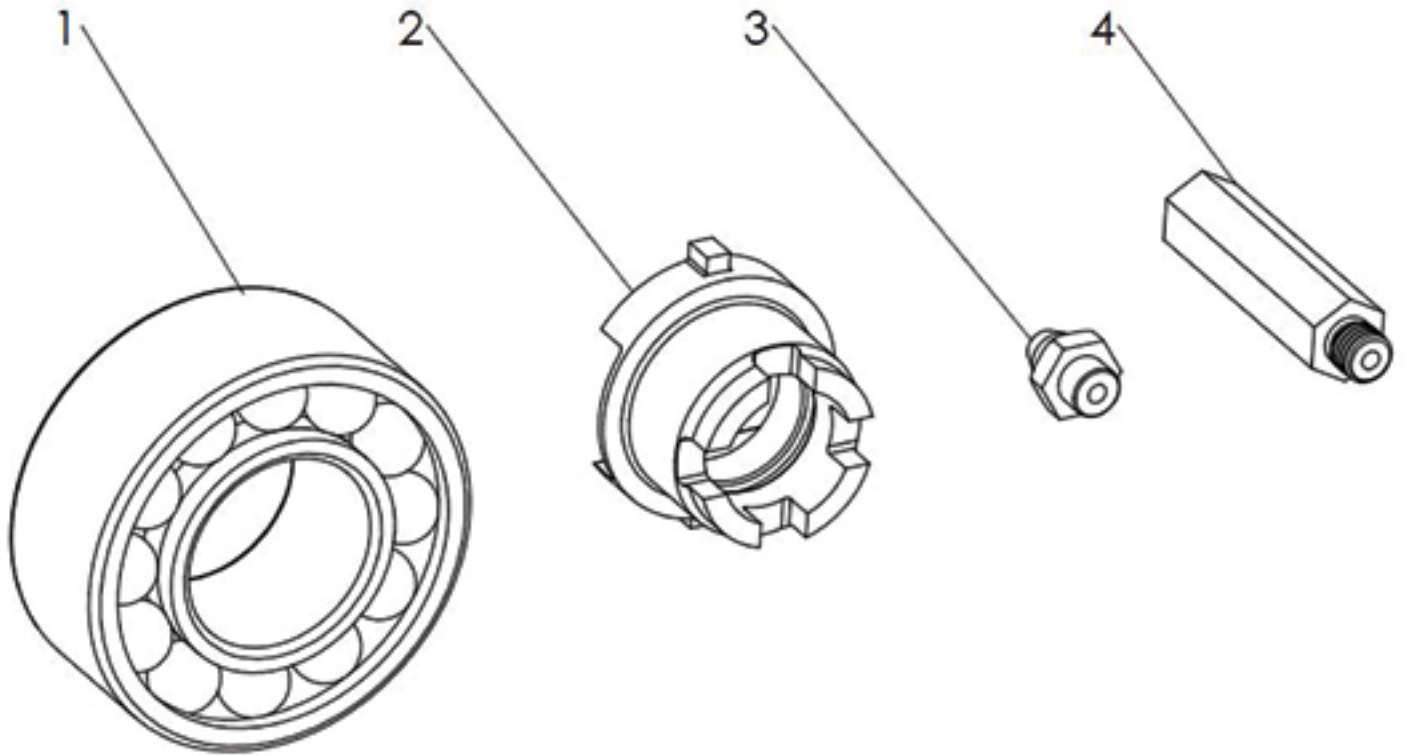
ID	ITEM NO	DESCRIPTION	QTY
1	800359	12-39 SCREW 1/4-28X9/16 SLOT FILLISTER SS	10
2	800360	12-38 LOCKWASHER 1/4 SPLIT SS	10
3	600047	B-7040 SUCTION COVER B-2, ALU. ANODIZED	1
4	700634	C-6600-23 BEARING BUSHING PLAIN SLEEVE 1/2"	1
5	700012	12-50 LOCK NUT SS	1
6	600089	12-49 LOCKWASHER SS	1
7	800782	C-7030-10 O-RING	1
8	700049	B-7037 1ST IMPELLER FOR B-2, ALU.	1
9	600039	B-7039 DISTRIBUTOR B-2, ALU. ANODIZED	1
10	600523	A-7038 2ND IMPELLER FOR B-2. ALU.	1
11	700063	C-6600-9C ROTARY SEAL SILICONE CARBIDE	1
12	600093	C-7036 PUMP BODY FOR B-2, ALU. ANODIZED	1
13	700044	12-48S DOUBLE ROW BALL BEARING WITH SEAL	1
14	700032	12-3 RETAINING RING FOR BEARING, ALU.	1
15	800364	12-25 SCREW #8-32X7/16 PHILLIPS FLAT NYLON LOCK SS	6
16	700633	C-6600-21 O-RING NITRILE	1
17	700038	B-7034-1 PUMP SHAFT FOR B-2	1
18	700006	12-17 COUPLING BUFFER	1
19	600065	C-7030-16 KEY FOR B2 PUMP, S.S.	1
20	700614	B-6365-11 PLUG 1/4" NPT, BRASS	2
--	700928	DECAL-43 IMPORTANT TO DRAIN PUMP END DECAL	1
--	700994	DECAL-35 NO GREASE DECAL	1





## B2X / 2 STAGE

ID	ITEM NO	DESCRIPTION	QTY
1	700006	12-17 COUPLING BUFFER	1
2	700038	B-7034-1 PUMP SHAFT FOR B-2	1
3	700633	C-6600-21 O-RING	1
4	700032	12-3 RETAINING RING FOR BEARING, ALU.	1
5	700044	12-48S DOUBLE ROW BALL BEARING WITH SEAL	1
6	600024	C-7037 BODY PUMP B2X, ALU. ANODIZED	1
7	700063	C-6600-9C ROTARY SEAL SILICONE CARBIDE	1
8	600523	A-7038 2ND IMPELLER FOR B-2. ALU.	1
9	600039	B-7039 DISTRIBUTOR B-2, ALU. ANODIZED	1
10	600016	B-7038 1ST IMPELLER B2X, ALU. ANODIZED	1
11	600089	12-49 LOCKWASHER SS	1
12	700012	12-50 LOCK NUT SS	1
13	700634	C-6600-23 PLAIN SLEEVE BEARING BUSHING 1/2"	1
14	600025	B-7041 SUCTION COVER B2X, ALU. ANODIZED	1
15	800360	12-38 LOCKWASHER 1/4 SPLIT SS	10
16	800359	12-39 SCREW 1/4-28X9/16 SLOT FILLISTER SS	10
17	600065	C-7030-16 KEY FOR B2 PUMP, S.S.	1
18	800364	12-25 SCREW #8-32X7/16 PHILLIPS FLAT NYLON LOCK SS	6
19	700614	B-6365-11 PLUG 1/4" NPT, BRASS	2
20	800366	12-73 PLUG, 1/8" BRASS	4
21	800782	C-7030-10 O-RING	1
22	800658	PART-508 PLASTIC PULL PLUG FOR 1/4"NPT	1
-	700994	DECAL-35 NO GREASE DECAL	1



## OPEN BEARING PUMP PARTS

ID	ITEM NO	DESCRIPTION	QTY
1	700003	12-48 DOUBLE ROW BALL BEARING, S.S.	1
2	700009	12-4AS ALU DRIVE BUSHING W/NITRILE COMPOUND O-RING	1
3	800743	12-29 GREASE FITTING 1/4-28	1
4	700067	12-87 EXTENSION FOR GREASE FITTING, ALU.	1





# MID-RANGE PUMP END

The B2X™ Series is a full line of mid-range portable pumps that deliver the best performance of their class with minimal operating costs. The B2X™ comes in portable and vehicle mounted configurations and is powered by Briggs & Stratton Vanguard or Honda 4-stroke engines.

Combining both pressure and volume, it's the ideal pump for dual attack lines dedicated to municipal and wildland urban interface operations.

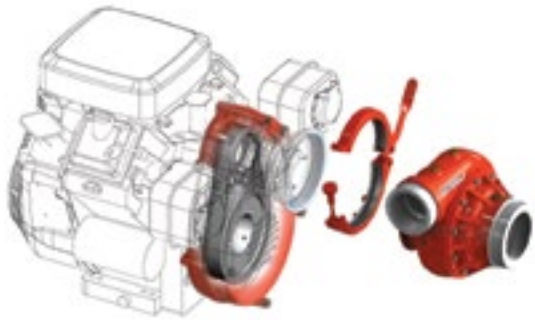
The **WATERAX** quick-release clamp provided on the B2X™ pump provides ease of maintenance without having to disassemble the complete pump unit thus significantly reducing equipment downtime.

#### Features & Benefits

- Quick-release clamp and detachable pump end for ease of maintenance and minimal equipment downtime
- Heat-resistant and maintenance-free mechanical rotary seal
- Sealed bearing to eliminate pump end greasing in the field
- Drive assembly for reliable, low maintenance performance
- Aluminum alloy pump components and anodized parts for lighter weight and greater resistance to corrosion

**WATERAX**   
**WE MOVE WATER®**

# DRIVE ASSEMBLY



**WATERAX** offers an outstanding drive assembly that boosts the performance of pump ends. The drive assembly increases the speed of pump revolutions resulting in increased pressure and volume.

The platform's most unique feature is the **WATERAX** quick-release clamp system which allows for the hook up of any **WATERAX** pump end to its drive assembly as well as almost instantaneous pump end detachment and interchange. This reduces equipment downtime, increases its exibility and significantly cuts costs.







Use your dealer login to access your net pricing and discounts, create your quotes online and access your purchase and billing history.



[SHOP US WEBSITE >](#)

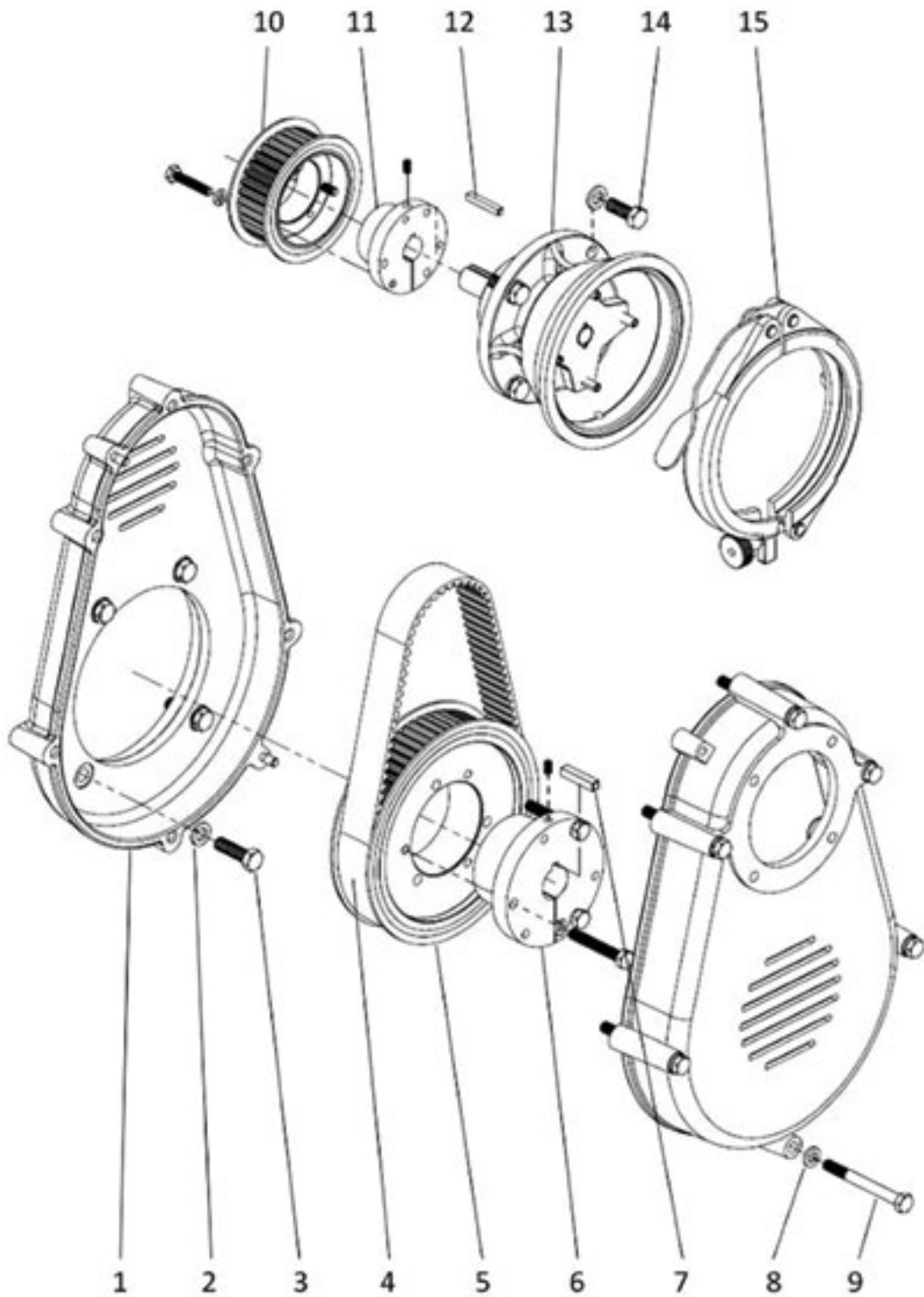


[SHOP CANADIAN WEBSITE >](#)

**WATERAX**   
*WE MOVE WATER®*



# DRIVE ASSEMBLY



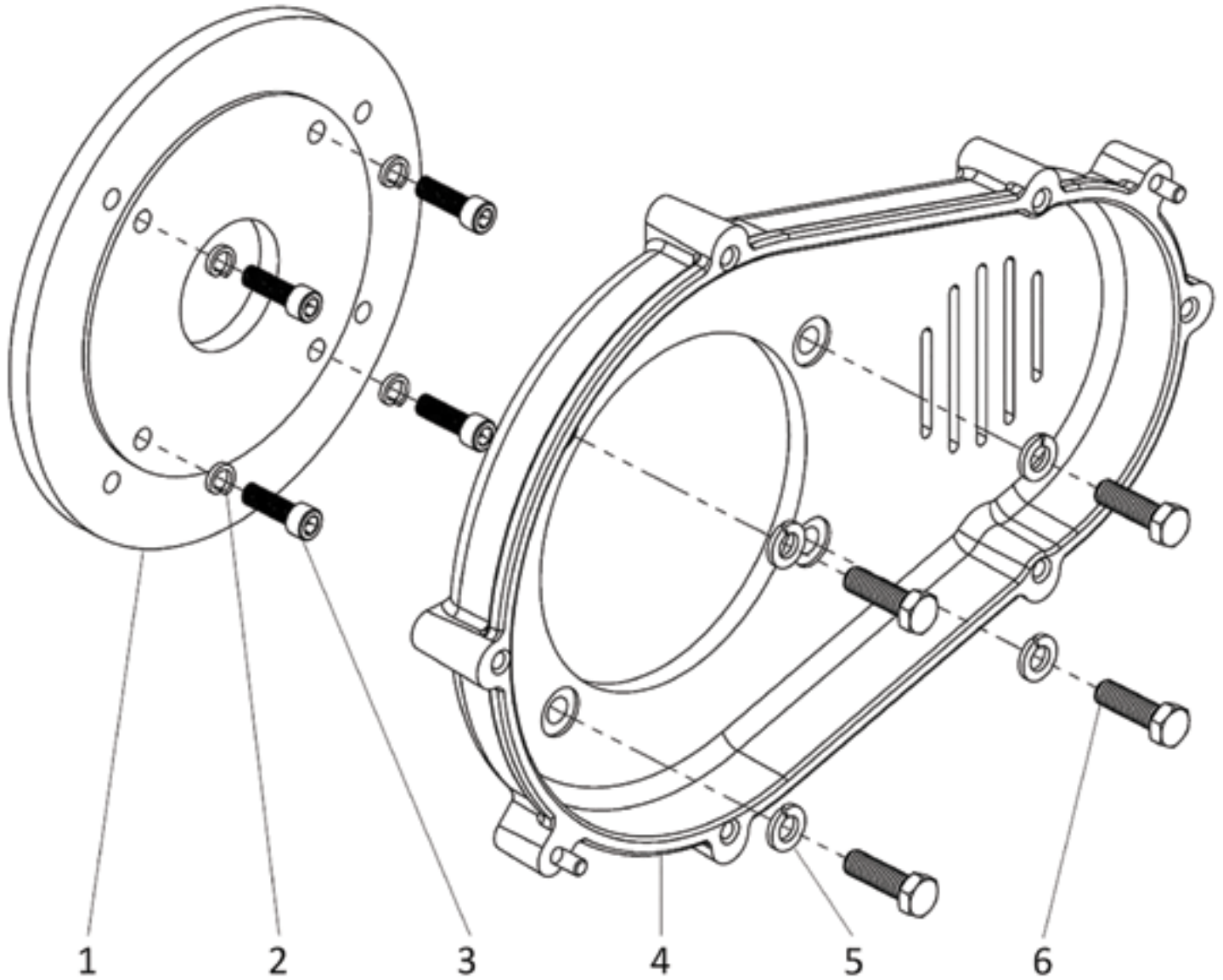


## DRIVE ASSEMBLY VERTICAL

ID	ITEM NO	DESCRIPTION	QTY
1	600101	C-7221 SPEED INCREASER HOUSING, ALU. PAINTED	1
2	800512	FAST-502 LOCKWASHER 3/8 SPLIT ZINC	8
3	800524	FAST-23 SCREW 3/8-16X1-1/4 HEX CAP ZINC	4
4	800803	PART-1 TIMING BELT, 8MMP X 30W X 720LG	1
5	800825	PART-2 PULLEY 64T X 8MM P X 30MM W	1
6	801011	PART-4 BUSHING FOR 1" SHAFT	1
	801234*	BUSHING FOR 1-7/16" SHAFT SK W/HARDWARE	1
7	600176	PART-7 KEY 1/4" SQUARE, S.S.	1
8	800513	FAST-501 LOCKWASHER 5/16 SPLIT ZINC	6
9	800534	FAST-1 SCREW 5/16-18X3 HEX CAP ZINC DICHROMATE	6
10	800856	PART-3 PULLEY 34T X 8MM P X 30MM W	1
11	800852	PART-5 BUSHING FOR 3/4" SHAFT	1
12	600151	PART-6 KEY 3/16" SQUARE, S.S.	1
13	600124	B-7544 DRIVE CARRIER ASSEMBLY COMPLETE	1
14	800527	FAST-2 SCREW 3/8-16X1 HEX CAP ZINC DICHROMATE	4
15	600063	212-170P CLAMP ASSEMBLY, ALU. PAINTED	1

\*The 1-7/16" bushing is used on the BB-4-D902 pump.

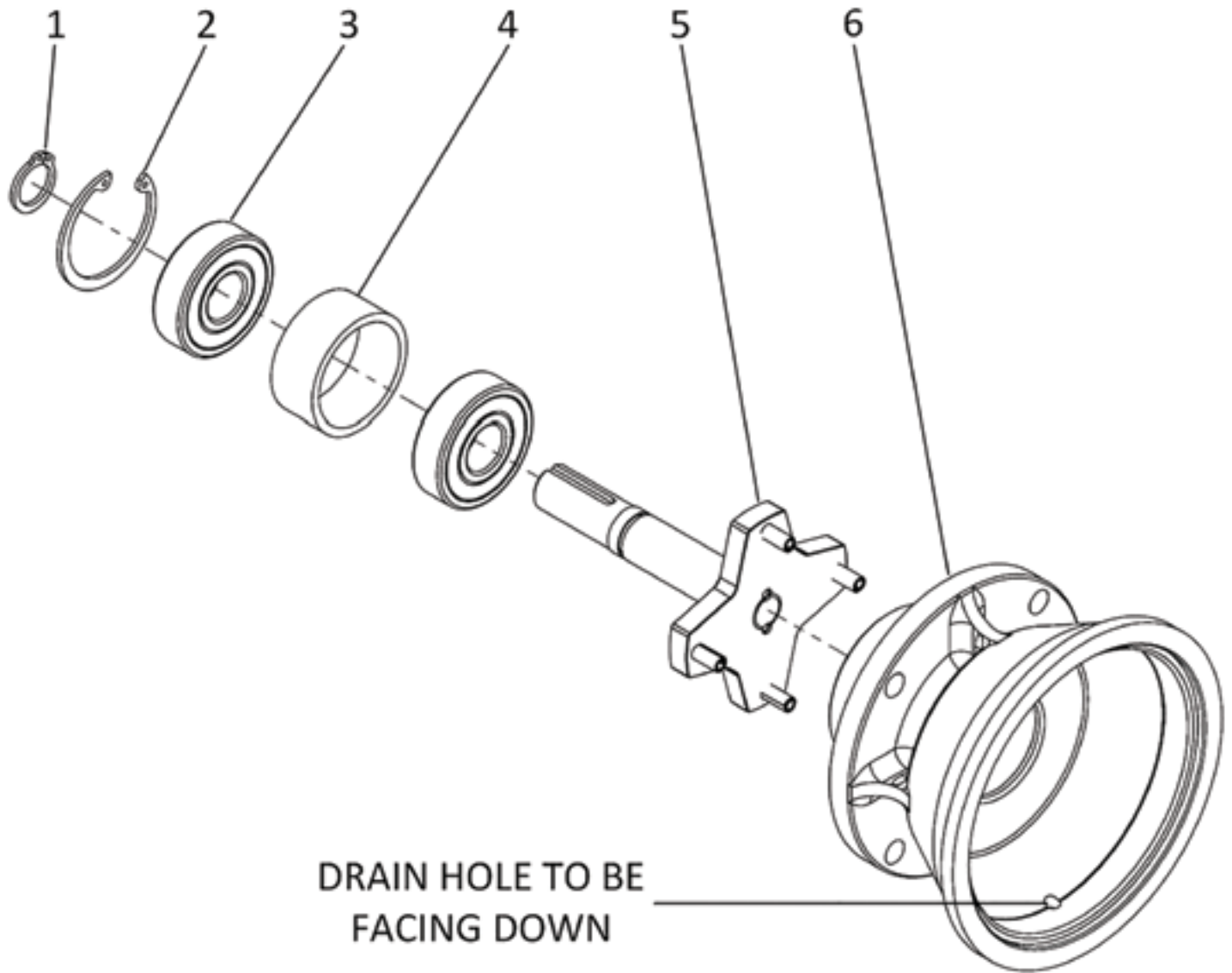




## DRIVE ASSEMBLY HORIZONTAL

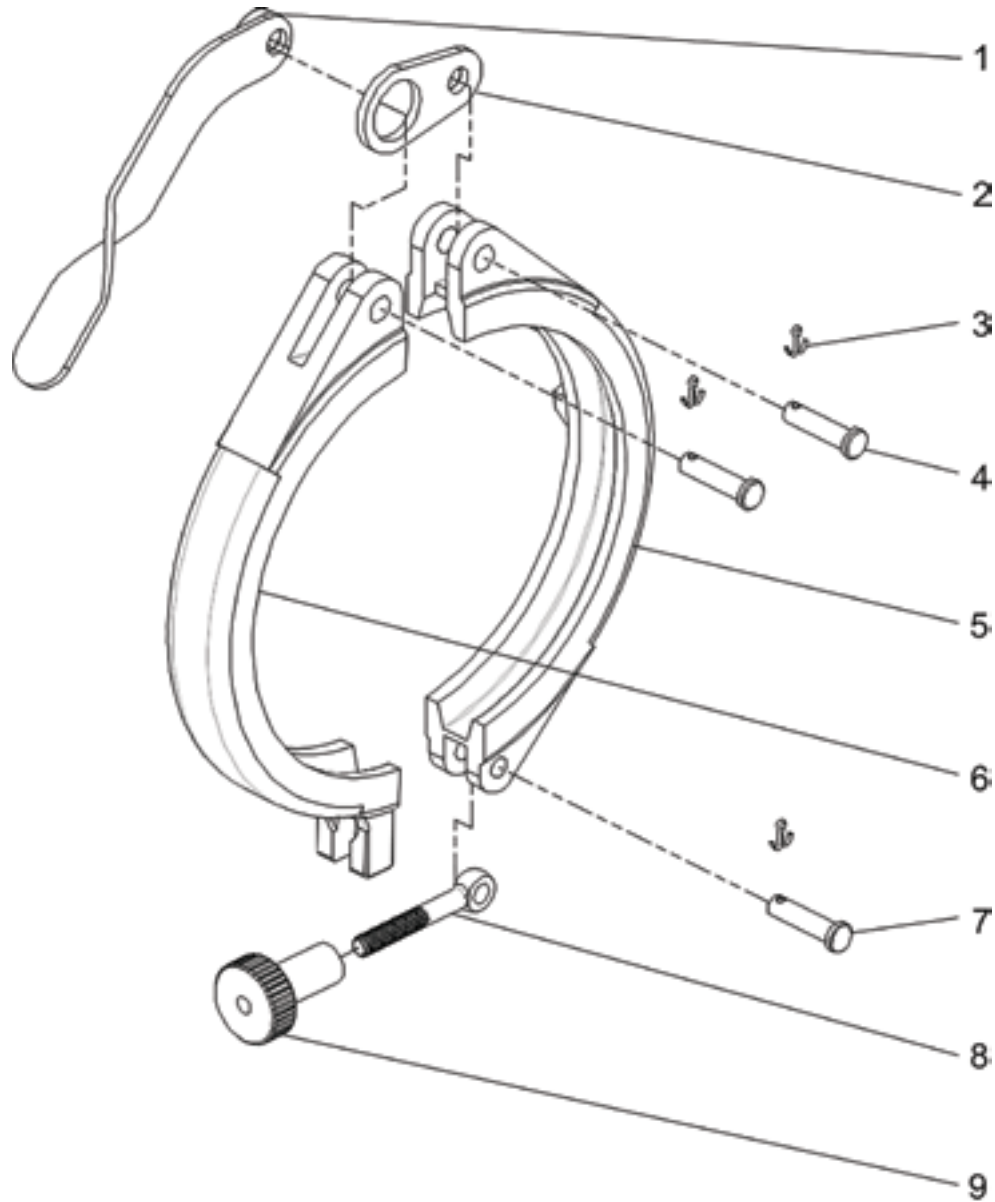
ID	ITEM NO	DESCRIPTION	QTY
1	700079*	A-7594 TRANSFER PLATE FOR HORIZONTAL DRIVE BOX	1
2	800392*	FAST-747 LOCKWASHER 5/16 SPLIT HIGH-COLLAR ZINC	4
3	800384*	FAST-743 SCREW 5/16-24X1 HEX SOCKET SS	4
4	600045*	C-7225 SPEED INCREASER MODIFIED FOR TRANSFER PLATE	1
5	800512	FAST-502 LOCKWASHER 3/8 SPLIT ZINC	4
6	800524	FAST-23 SCREW 3/8-16X1-1/4 HEX CAP ZINC	4

\*The horizontal drive assembly requires a transfer plate (700079), a modified speed increaser housing (drive box) (600045) and related hardware.



## DRIVE ASSEMBLY HUB

ID	ITEM NO	DESCRIPTION	QTY
-	600124	B-7544 DRIVE CARRIER ASSEMBLY	-
1	800538	PART-8 RETAINING RING EXT.	1
2	800541	PART-9 RING RETAINING INT.	1
3	800836	PART-10 BEARING, 4 POINT CONTACT, SEALED	2
4	700083	A-6956 SPACER FOR C-7220, ALU.	1
5	700086	A-7239 SHAFT ASSEMBLY FOR C-7220	1
6	600130	C-6955 FLANGE FOR DRIVE HUB ONLY, ALU.	1



## PUMP CLAMP

ID	ITEM NO	DESCRIPTION	QTY
--	600063	212-170P CLAMP ASSEMBLY, ALU. PAINTED	--
1	700581	A-4460 LEVER, ZINC PLATED	1
2	600122	A-4452 SIDE LINK FOR LEVER, ZINC PLATED	1
3	800426	C-4462-5 COTTER PIN DIN 94 2.5MM X 16MM	3
4	800263	A-4455 CLEVIS PIN FOR LEVER SIDE	2
5	700889	B-4457 PUMP CLAMP BOTTOM HALF	1
6	600110	B-4461 PUMP CLAMP TOP HALF	1
7	800405	A-4454 CLEVIS PIN	1
8	700004	A-4453 EYE BOLT, PLATED STEEL	1
9	700035	A-4456 KNOB FOR TENSION ADJUSTMENT, ALU.	1



# BB-4<sup>®</sup>

The BB-4<sup>®</sup> Series is a full line of high-pressure centrifugal pumps that has been used by forest agencies for over 40 years in Type 6 brush trucks. It has become the weapon of choice in wildland operations. The BB-4<sup>®</sup> comes in portable and vehicle-mounted configurations and all models feature a unique greaseless sealed bearing and a blister-resistant mechanical rotary seal. A unique feature of the BB-4<sup>®</sup> pump is the quick-release pump end that is interchangeable with the MARK-3<sup>®</sup> pump, which greatly reduces your spare parts inventory and allows for quick infield swap outs.

**WATERAX**   
**WE MOVE WATER<sup>®</sup>**








# MODEL SPECIFIC PARTS



The renowned BB-4<sup>®</sup> is now available with a diesel engine and has been officially listed on the USFS Type 6 Fire Apparatus specifications! Compatible with Type 4, Type 5 and Type 6 brush trucks it is strong enough to operate as a source pump for tandem and parallel pumping, it is also optimal for direct attack firefighting, remote watering, sprinkler systems, and is a popular choice for slip-on units. The 4-stage pump end on the BB-4<sup>®</sup> is identical to the pump end on the MARK-3<sup>®</sup> unit, which greatly reduces your spare parts inventory and improves your ability to respond to unforeseen equipment damage.







Access the digital parts catalogs with detailed diagrams and select items from exploded parts views.

The exclusive **WATERAX** Genuine Parts Store. Order all of your **WATERAX** genuine parts here.



[SHOP US WEBSITE >](#)

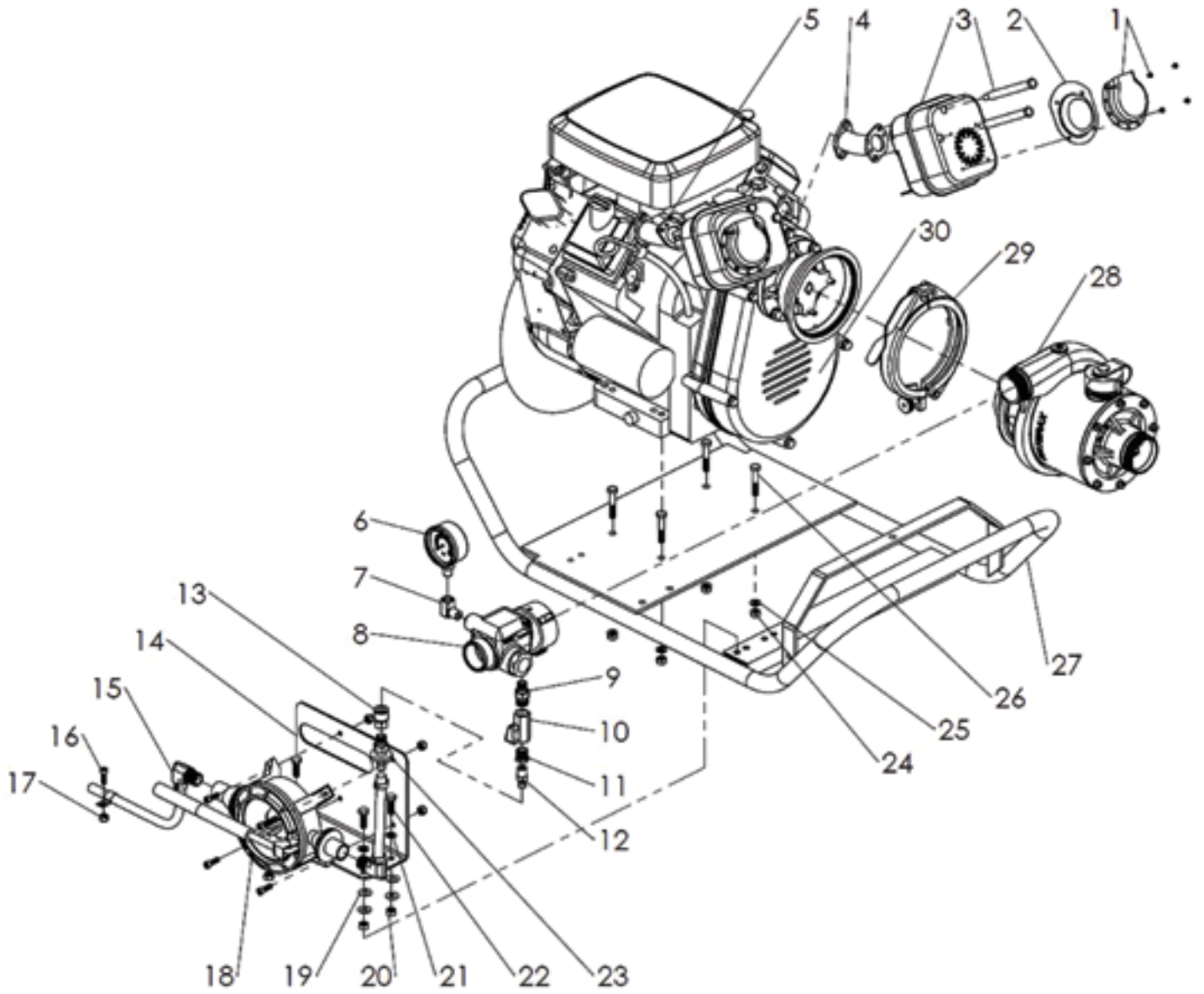


[SHOP CANADIAN WEBSITE >](#)

**WATERAX**   
**WE MOVE WATER®**



## MODEL SPECIFIC PARTS - BB-4-23



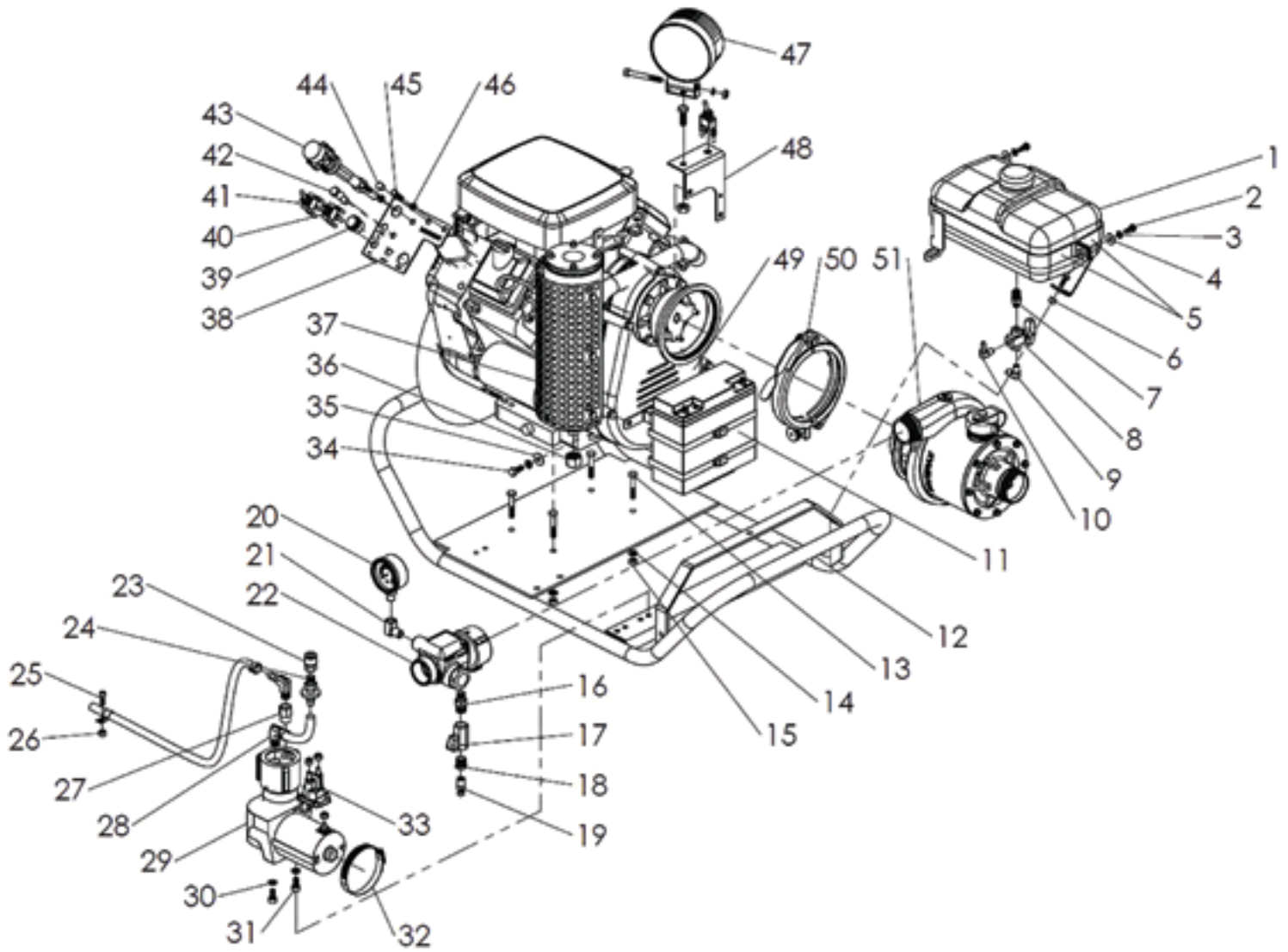


## BB-4-23P

ID	ITEM NO	DESCRIPTION	QTY
1	800136	BRIGGS-222573 MUFFLER DEFLECTOR	2
2	800143	BRIGGS-392390 SPARK ARRESTOR USE ON B1-11-HP	2
3	800144	BRIGGS-399635 LOW TONE MUFFLER F/18IC ENGINE	2
4	700060	A-7577 MANIFOLD RH, LOW TONE MUFFLER B&S 23	1
5	700059	A-7576 MANIFOLD LH, LOW TONE MUFFLER B&S 23	1
6	700122	GAUGE-1 PRESSURE GAUGE 2-1/2"0-600PSI (BAR)	1
7	800719	C-4067-5 ELBOW 1/4 NPT M. TO FEM	1
8	600428	B-6365 CHECK VALVE ASSEMBLY 1-1/2"NPSH	1
9	800823	PART-147 RED. NIPPLE 3/8NPT TO 1/4NPT	1
10	800780	PART-348 VALVE BRASS MINI 3/8 NPT,WEDGE	1
11	800819	PART-190 RED. BUSHING 3/8 TO 1/4 FM NPT	1
12	800660	PART-474 NIPPLE QD M TO 1/4" NPTM	1
13	800649	PART-475 COUPLER QD F TO 1/4" NPTF	1
14	700078	A-7700 GUZZLER PRIMER MOUNTING BRACKET	1
15	800706	PART-316 ELBOW BRB /8 TO MNPT 1/2,BR	4
16	800383	FAST-744 SCREW 1/4-20X1/2 HEX SOCKET SS	5
17	800419	C-6650-14 NUT 1/4-20 HEX NYLON LOCK ZINC	5
18	800737	BOS-400-H-1/2 GUZZLER HAND PRIMER,1/2 NPT	1
19	800302	FAST-535 WASHER 5/16 FLAT SS	4
20	800307	FAST-540 NUT 5/16-18 HEX SS	4
21	800312	FAST-545 LOCKWASHER 5/16 SPLIT SS	4
22	800385	FAST-561 SCREW 5/16-18X1 HEX CAP SS	4
23	800833	PART-129 COUPLER 1/4NPTM TO 3/8"BARB	1
24	800523	FAST-352 NUT 5/16-18 HEX ZINC	4
25	800513	FAST-501 LOCKWASHER 5/16 SPLIT ZINC	10
26	800531	FAST-15 SCREW 5/16-18X1-3/4 HEX CAP ZINC	4
27	700094	B-7591 BB-4 FRAME, USDAFS	1
28	600006	12-16S 4-STG HIGH PRESS PUMP END W/SEALED BEARING	1
29	600063	212-170P CLAMP ASSEMBLY, ALU. PAINTED	1
30	600070*	C-7220 SPEED INCREASER ASSEMBLY, ALU. PAINTED	1

\*See exploded view of Drive Assembly Vertical in Drive Assembly section





## BB-4-23PETC

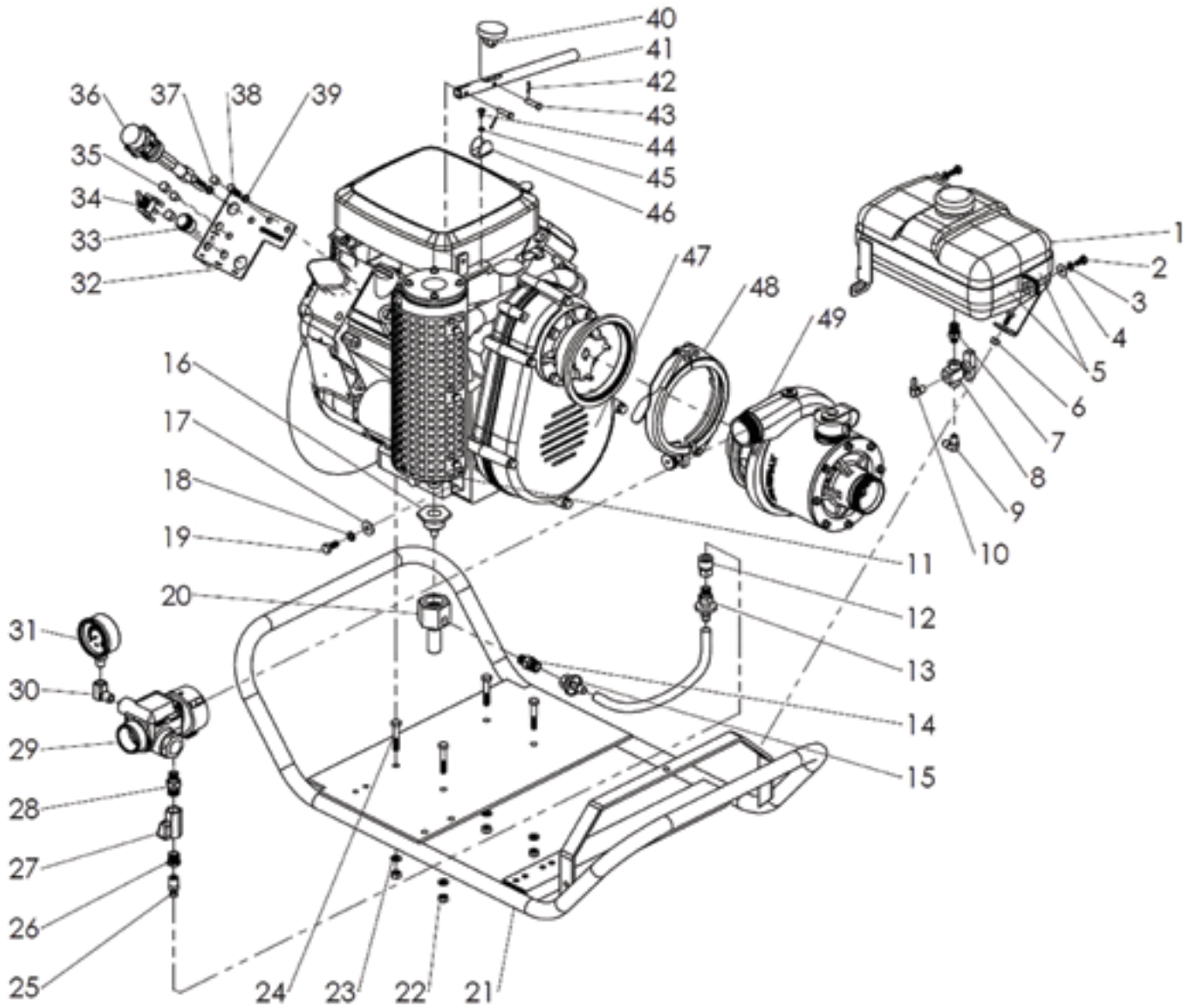
ID	ITEM NO	DESCRIPTION	QTY
1	700627	PART-370 EPA/CARB 1 GAL FUEL TANK	1
2	800431	FAST-727 SCREW 1/4-20X5/8 HEX CAP ZINC	3
3	800428	FAST-728 LOCKWASHER 1/4 SPLIT ZINC	2
4	800543	R-151 WASHER 1/4 FLAT ZINC	2
5	700516	A-7688 FUEL TANK BRACKET BB-4	1
6	800427	FAST-729 NUT 1/4-20 HEX NYLON LOCK ZINC	1
7	800761	PART-406 HX NIPPLE 1/4MPT TO 1/8MPT	1
8	800796	PART-24 1/8 -3WAY VALVE	1
9	800817	PART-169 ELBOW 1/4" TUBE(SAE45) TO 1/8NPT	1
10	800716	C-6700-28 ELBOW 1/8" NPT M. TO 1/4" HOSE	1



ID	ITEM NO	DESCRIPTION	QTY
11	600090	A-7612 BATTERY KIT FOR DRIVE BOX MOUNTING	1
12	700094	B-7591 BB-4 FRAME, USDAFS	1
13	800531	FAST-15 SCREW 5/16-18X1-3/4 HEX CAP ZINC	4
14	800513	FAST-501 LOCKWASHER 5/16 SPLIT ZINC	10
15	800523	FAST-352 NUT 5/16-18 HEX ZINC	4
16	800823	PART-147 RED. NIPPLE 3/8NPT TO 1/4NPT	1
17	800780	PART-348 VALVE BRASS MINI 3/8 NPT,WEDGE	1
18	800819	PART-190 RED. BUSHING 3/8 TO 1/4 FM NPT	1
19	800660	PART-474 NIPPLE QD M TO 1/4" NPTM	1
20	700122	GAUGE-1 PRESSURE GAUGE 2-1/2"0-600PSI (BAR)	1
21	800719	C-4067-5 ELBOW 1/4 NPT M. TO FEM	1
22	600428	B-6365 CHECK VALVE ASSEMBLY 1-1/2"NPSH	1
23	800649	PART-475 COUPLER QD F TO 1/4" NPTF	1
24	800833	PART-129 COUPLER 1/4NPTM TO 3/8"BARB	1
25	800383	FAST-744 SCREW 1/4-20X1/2 HEX SOCKET SS	1
26	800296	FAST-528 NUT 1/4-20 HEX NYLON LOCK SS	4
27	700596	B-6601W-27 ADP 3/8" M. NPT TO 3/8"FEM NPT	1
28	800703	PART-315 ELBOW BRB 3/8 TO MNPT 3/8, BR	4
29	600067	B-7498 ELECTRIC PRIMER	1
30	800548	R-119 LOCKWASHER M8 SPLIT ZINC	3
31	800336	FAST-746 SCREW M8X1.25X16 HEX SOCKET SS	2
32	700695	PART-272 WORM HOSE CLAMP 2-9/16"-3-1/2"	1
33	800135	BRIGGS-691656 SOLENOID	1
34	800520	R-414 SCREW M8X1.25X20 HEX CAP CADM	1
35	700071	C-5370-11 WASHER 7/8"OD X 11/32"ID X 1/16"TH, S.S.	1
36	800797	PART-241 CAP 1/2 NPT, BRASS	1
37	600097	C-7590 MUFFLER FOR BB-4-23VG, PAINTED	1
38	700051	A-7721 ENGINE MOUNT CTRL PANEL FRAME	1
39	800924	PART-472 PUSH BUTTON DPST 4P,(ON)-OFF	1
40	800904	PART-381 SW TOGGLE, SPST, 15A, OFF-(ON)	1
41	800914	PART-378 SWITCH TOGGLE DPDT 20A ON-ON	2
42	800926	PART-455 RED LED INDICATOR 12V, .500"H	1
43	800673	PART-454 VERNIER THROTTLE CABLE (3100)	1
44	800433	PART-524 PLASTIC PLUG 0.375" HOLE, BK	2
45	800525	FAST-21 SCREW M6X1.0X25 HEX CAP ZINC	2
46	800474	D-5269-7 WASHER 1/4 FLAT SS	2
47	800987	PART-365 WORK LIGHT 27W LED W/HARDWARE	1
48	700272	A-7694 TRPD WORK LIGHT BRACKET TM	1
49	600070*	C-7220 SPEED INCREASER ASSEMBLY, ALU. PAINTED	1
50	600063	212-170P CLAMP ASSEMBLY, ALU. PAINTED	1
51	600006	12-16S 4-STG HIGH PRESS PUMP END W/SEALED BEARING	1

\*See exploded view of Drive Assembly Vertical





## BB-4-23PXTC

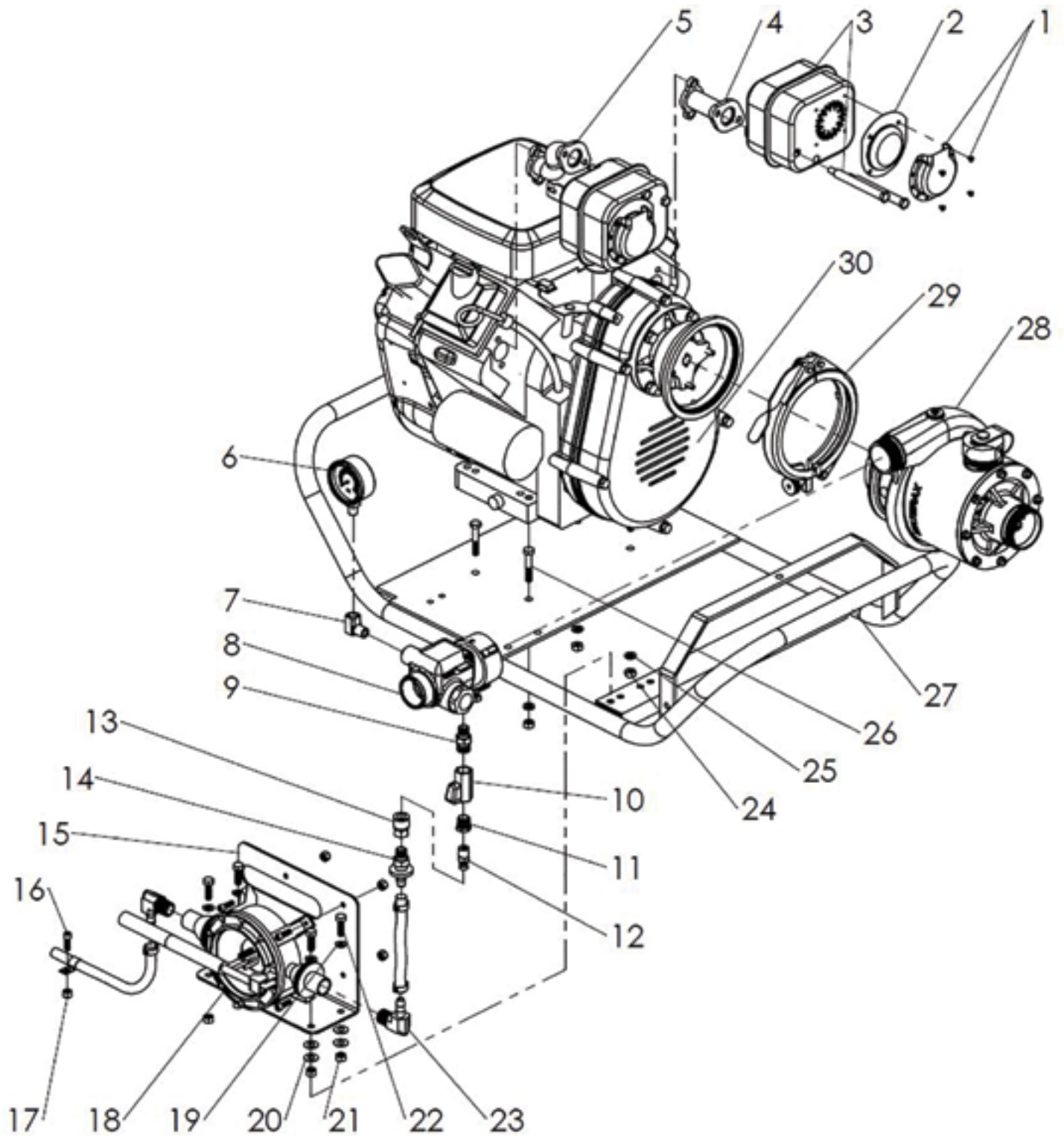
ID	ITEM NO	DESCRIPTION	QTY
1	700627	PART-370 EPA/CARB 1 GAL FUEL TANK 2012	1
2	800431	FAST-727 SCREW 1/4-20X5/8 HEX CAP ZINC	3
3	800428	FAST-728 LOCKWASHER 1/4 SPLIT ZINC	2
4	800543	R-151 WASHER 1/4 FLAT ZINC	2
5	700516	A-7688 FUEL TANK BRACKET BB-4	1
6	800427	FAST-729 NUT 1/4-20 HEX NYLON LOCK ZINC	1
7	800761	PART-406 HX NIPPLE 1/4MPT TO 1/8MPT	1
8	800796	PART-24 1/8 -3WAY VALVE	1
9	800817	PART-169 ELBOW 1/4" TUBE(SAE45) TO 1/8NPT	1
10	800716	C-6700-28 ELBOW 1/8" NPT M. TO 1/4" HOSE	1



ID	ITEM NO	DESCRIPTION	QTY
11	600097	C-7590 MUFFLER FOR BB-4-23VG, PAINTED	1
12	800649	PART-475 COUPLER QD F TO 1/4" NPTF	1
13	800833	PART-129 COUPLER 1/4NPTM TO 3/8" BARB	1
14	700635	C-6750-20 ADP 1/4" NPT M. TO 3/8" TUBE	1
15	800696	A-6751-5 SWIVEL 45DEGRES SAE	1
16	700028	A-4585 NOZZLE CONE FOR A-4583, BRASS	1
17	700071	C-5370-11 WASHER 7/8" OD X 11/32" ID X 1/16" TH, S.S.	1
18	800548	R-119 LOCKWASHER M8 SPLIT ZINC	1
19	800520	R-414 SCREW M8X1.25X20 HEX CAP CADM	1
20	700019	A-4584 BODY EJECTOR FOR A-4585, BRASS	1
21	700094	B-7591 BB-4 FRAME, USDAFS	1
22	800523	FAST-352 NUT 5/16-18 HEX ZINC	4
23	800513	FAST-501 LOCKWASHER 5/16 SPLIT ZINC	10
24	800531	FAST-15 SCREW 5/16-18X1-3/4 HEX CAP ZINC	4
25	800660	PART-474 NIPPLE QD M TO 1/4" NPTM	1
26	800819	PART-190 RED. BUSHING 3/8 TO 1/4 FM NPT	1
27	800780	PART-348 VALVE BRASS MINI 3/8 NPT, WEDGE	1
28	800823	PART-147 RED. NIPPLE 3/8NPT TO 1/4NPT	1
29	600428	B-6365 CHECK VALVE ASSEMBLY 1-1/2" NPSH	1
30	800719	C-4067-5 ELBOW 1/4 NPT M. TO FEM	1
31	700122	GAUGE-1 PRESSURE GAUGE 2-1/2" O-600PSI (BAR)	1
32	700051	A-7721 ENGINE MOUNT CTRL PANEL FRAME	1
33	800924	PART-472 PUSH BUTTON DPST 4P,(ON)-OFF	1
34	800914	PART-378 SWITCH TOGGLE DPDT 20A ON-ON	1
35	800403	PART-525 PLUG, PLASTIC, LOCK, 1/2" HOLE, BLACK	2
36	800673	PART-454 VERNIER THROTTLE CABLE (3100)	1
37	800433	PART-524 PLASTIC PLUG 0.375" HOLE, BK	2
38	800525	FAST-21 SCREW M6X1.0X25 HEX CAP ZINC	2
39	800474	D-5269-7 WASHER 1/4 FLAT SS	2
40	700077	A-7242 HANDLE CAP FOR C-6890, BRONZE	1
41	600028	B-7241 MUFFLER HANDLE LEVER FOR C-6890, PLATED	1
42	800465	B-2428-8 COTTER PIN 3/32" X 1/2" LG, SS	2
43	800483	FAST-706 CLEVIS PIN 1/4" X 27/32" LG	2
44	800563	FAST-6 SCREW #10-24X3/8 PHILLIPS BINDING SS	1
45	800511	FAST-504 LOCKWASHER #10 SPRING SS	1
46	600113	A-7243 LEVER CLAMP FOR C-6890 MUFFLER, S.S.	1
47	600070*	C-7220 SPEED INCREASER ASSEMBLY, ALU. PAINTED	1
48	600063	212-170P CLAMP ASSEMBLY, ALU. PAINTED	1
49	600006	12-16S 4-STG HIGH PRESS PUMP END W/SEALED BEARING	1

\*See exploded view of Drive Assembly Vertical

# BB-4-18





## BB-4-18P

ID	ITEM NO	DESCRIPTION	QTY
1	800136	BRIGGS-222573 MUFFLER DEFLECTOR	2
2	800143	BRIGGS-392390 SPARK ARRESTOR USE ON B1-11-HP	2
3	800144	BRIGGS-399635 LOW TONE MUFFLER F/18IC ENGINE	2
4	700107	C-7593R MANIFOLD RH, LOW TONE MUFFLER B&S 18	1
5	700085	C-7593L MANIFOLD LH, LOW TONE MUFFLER B&S 18	1
6	700122	GAUGE-1 PRESSURE GAUGE 2-1/2"0-600PSI (BAR)	1
7	800719	C-4067-5 ELBOW 1/4 NPT M. TO FEM	1
8	600428	B-6365 CHECK VALVE ASSEMBLY 1-1/2"NPSH	1
9	800823	PART-147 RED. NIPPLE 3/8NPT TO 1/4NPT	1
10	800780	PART-348 VALVE BRASS MINI 3/8 NPT,WEDGE	1
11	800819	PART-190 RED. BUSHING 3/8 TO 1/4 FM NPT	1
12	800660	PART-474 NIPPLE QD M TO 1/4" NPTM	1
13	800649	PART-475 COUPLER QD F TO 1/4" NPTF	1
14	800833	PART-129 COUPLER 1/4NPTM TO 3/8"BARB	1
15	700078	A-7700 GUZZLER PRIMER MOUNTING BRACKET	1
16	800383	FAST-744 SCREW 1/4-20X1/2 HEX SOCKET SS	5
17	800419	C-6650-14 NUT 1/4-20 HEX NYLON LOCK ZINC	5
18	800737	BOS-400-H-1/2 GUZZLER HAND PRIMER,1/2 NPT	1
19	800312	FAST-545 LOCKWASHER 5/16 SPLIT SS	4
20	800302	FAST-535 WASHER 5/16 FLAT SS	4
21	800307	FAST-540 NUT 5/16-18 HEX SS	4
22	800385	FAST-561 SCREW 5/16-18X1 HEX CAP SS	4
23	800706	PART-316 ELBOW BRB 3/8 TO MNPT 1/2,BR	4
24	800523	FAST-352 NUT 5/16-18 HEX ZINC	4
25	800513	FAST-501 LOCKWASHER 5/16 SPLIT ZINC	10
26	800531	FAST-15 SCREW 5/16-18X1-3/4 HEX CAP ZINC	4
27	700094	B-7591 BB-4 FRAME, USDAFS	1
28	600006	12-16S 4-STG HIGH PRESS PUMP END W/SEALED BEARING	1
29	600063	212-170P CLAMP ASSEMBLY, ALU. PAINTED	1
30	600070*	C-7220 SPEED INCREASER ASSEMBLY, ALU. PAINTED	1

\*See exploded view of Drive Assembly Vertical



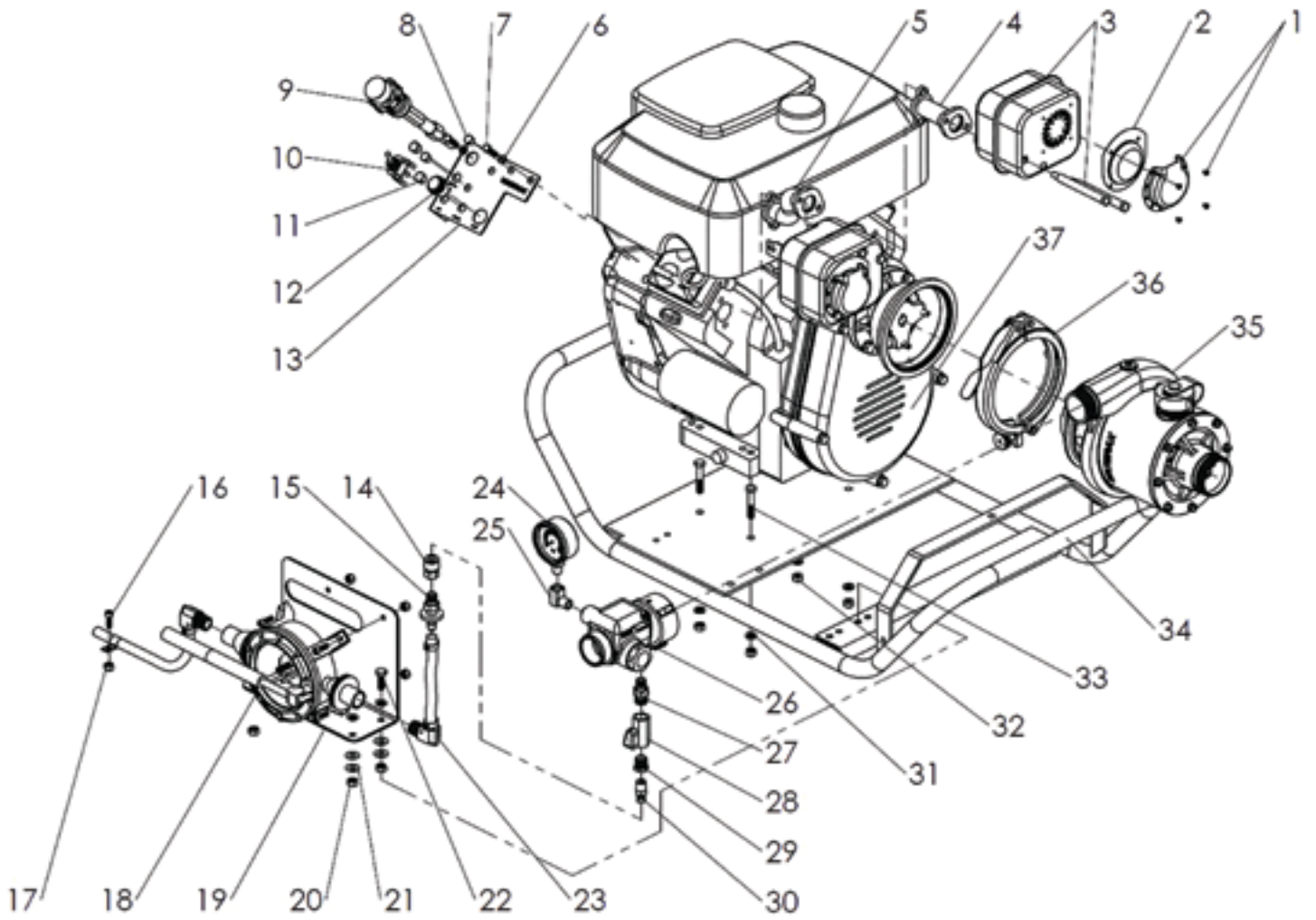




## BB-4-18PETC

ID	ITEM NO	DESCRIPTION	QTY
1	800136	BRIGGS-222573 MUFFLER DEFLECTOR	2
2	800143	BRIGGS-392390 SPARK ARRESTOR USE ON B1-11-HP	2
3	800144	BRIGGS-399635 LOW TONE MUFFLER F/18IC ENGINE	2
4	700107	C-7593R MANIFOLD RH, LOW TONE MUFFLER B&S 18	1
5	700085	C-7593L MANIFOLD LH, LOW TONE MUFFLER B&S 18	1
6	800987	PART-365 WORK LIGHT 27W LED W/HARDWARE	1
7	700272	A-7694 TRPD WORK LIGHT BRACKET TM	1
8	800474	D-5269-7 WASHER 1/4 FLAT SS	2
9	800525	FAST-21 SCREW M6X1.0X25 HEX CAP ZINC	2
10	800433	PART-524 PLASTIC PLUG 0.375" HOLE, BK	2
11	800673	PART-454 VERNIER THROTTLE CABLE (3100)	1
12	800926	PART-455 RED LED INDICATOR 12V, .500"H	1
13	800914	PART-378 SWITCH TOGGLE DPDT 20A ON-ON	3
14	800904	PART-381 SW TOGGLE, SPST, 15A, OFF-(ON)	11
15	800924	PART-472 PUSH BUTTON DPST 4P,(ON)-OFF	1
16	700051	A-7721 ENGINE MOUNT CTRL PANEL FRAME	1
17	800383	FAST-744 SCREW 1/4-20X1/2 HEX SOCKET SS	1
18	800296	FAST-528 NUT 1/4-20 HEX NYLON LOCK SS	4
19	700596	B-6601W-27 ADP 3/8" M. NPT TO 3/8" FEM NPT	1
20	800703	PART-315 ELBOW BRB 3/8 TO MNPT 3/8, BR	4
21	700624	C-6586 BODY,B-7498(ELECT. PRIMER)	1
22	800548	R-119 LOCKWASHER M8 SPLIT ZINC	2
23	800336	FAST-746 SCREW M8X1.25X16 HEX SOCKET SS	2
24	700695	PART-272 WORM HOSE CLAMP 2-9/16"-3-1/2"	1
25	800649	PART-475 COUPLER QD F TO 1/4" NPTF	1
26	800833	PART-129 COUPLER 1/4NPTM TO 3/8" BARB	1
27	700122	GAUGE-1 PRESSURE GAUGE 2-1/2" 0-600PSI (BAR)	1
28	800719	C-4067-5 ELBOW 1/4 NPT M. TO FEM	1
29	600428	B-6365 CHECK VALVE ASSEMBLY 1-1/2" NPSH	1
30	800823	PART-147 RED. NIPPLE 3/8NPT TO 1/4NPT	1
31	800780	PART-348 VALVE BRASS MINI 3/8 NPT,WEDGE	1
32	800819	PART-190 RED. BUSHING 3/8 TO 1/4 FM NPT	1
33	800660	PART-474 NIPPLE QD M TO 1/4" NPTM	1
34	800523	FAST-352 NUT 5/16-18 HEX ZINC	4
35	800513	FAST-501 LOCKWASHER 5/16 SPLIT ZINC	10
36	800531	FAST-15 SCREW 5/16-18X1-3/4 HEX CAP ZINC	4
37	700094	B-7591 BB-4 FRAME, USDAFS	1
38	600090	A-7612 BATTERY KIT FOR DRIVE BOX MOUNTING	1
39	600006	12-16S 4-STG HIGH PRESS PUMP END W/SEALED BEARING	1
40	600063	212-170P CLAMP ASSEMBLY, ALU. PAINTED	1
41	600070*	C-7220 SPEED INCREASER ASSEMBLY, ALU. PAINTED	1

\*See exploded view of Drive Assembly Vertical

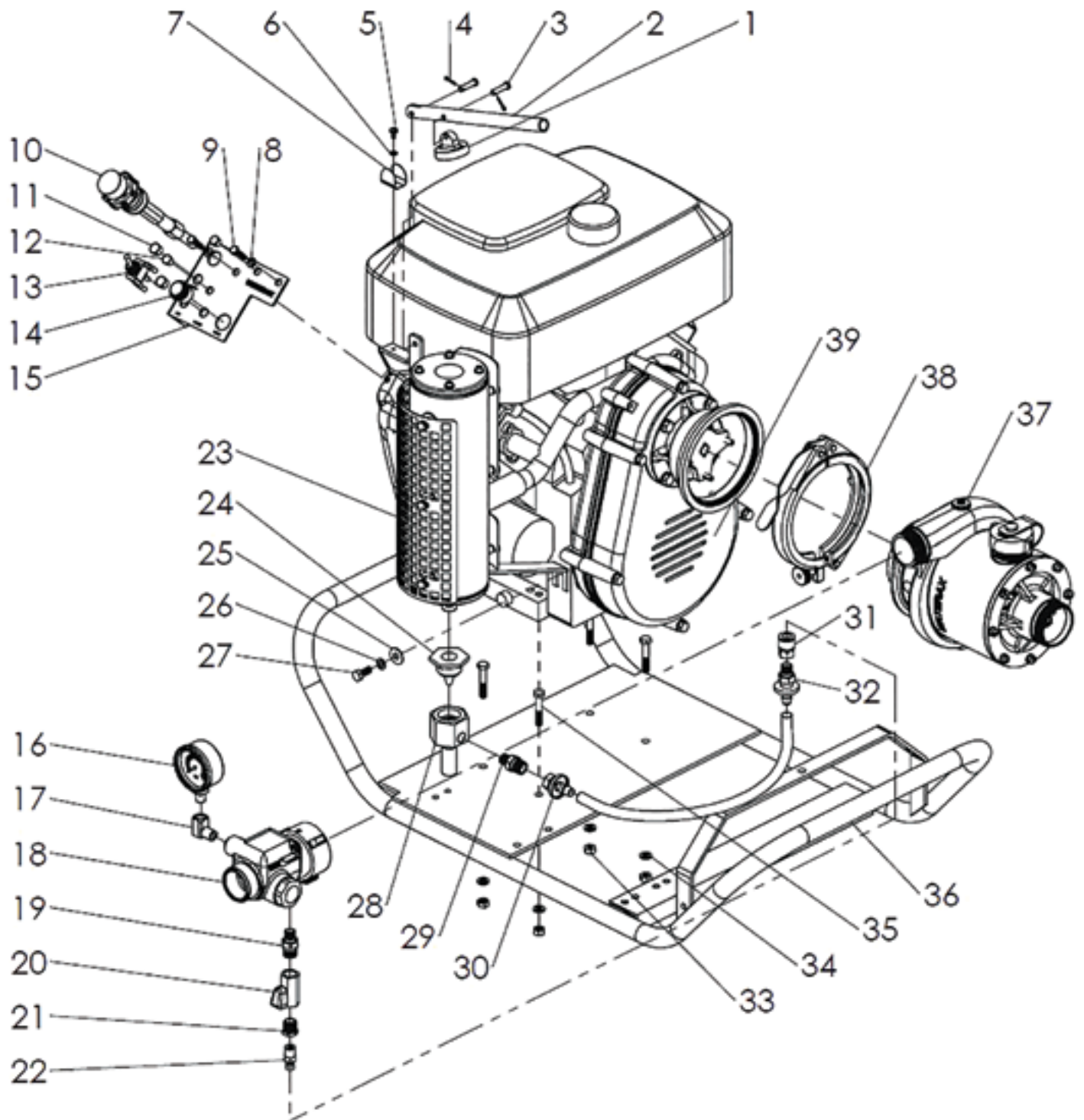




## BB-4-18PTC

ID	ITEM NO	DESCRIPTION	QTY
1	800136	BRIGGS-222573 MUFFLER DEFLECTOR	2
2	800143	BRIGGS-392390 SPARK ARRESTOR USE ON B1-11-HP	2
3	800144	BRIGGS-399635 LOW TONE MUFFLER F/18IC ENGINE	2
4	700107	C-7593R MANIFOLD RH, LOW TONE MUFFLER B&S 18	1
5	700085	C-7593L MANIFOLD LH, LOW TONE MUFFLER B&S 18	1
6	800474	D-5269-7 WASHER 1/4 FLAT SS	2
7	800525	FAST-21 SCREW M6X1.0X25 HEX CAP ZINC	2
8	800433	PART-524 PLASTIC PLUG 0.375" HOLE, BK	2
9	800673	PART-454 VERNIER THROTTLE CABLE (3100)	1
10	800914	PART-378 SWITCH TOGGLE DPDT 20A ON-ON	1
11	800403	PART-525 PLUG, PLASTIC, LOCK, 1/2" HOLE, BLACK	2
12	800924	PART-472 PUSH BUTTON DPST 4P,(ON)-OFF	1
13	700051	A-7721 ENGINE MOUNT CTRL PANEL FRAME	1
14	800649	PART-475 COUPLER QD F TO 1/4" NPTF	1
15	800833	PART-129 COUPLER 1/4NPTM TO 3/8" BARB	1
16	800383	FAST-744 SCREW 1/4-20X1/2 HEX SOCKET SS	5
17	800419	C-6650-14 NUT 1/4-20 HEX NYLON LOCK ZINC	5
18	800737	BOS-400-H-1/2 GUZZLER HAND PRIMER, 1/2 NPT	1
19	700078	A-7700 GUZZLER PRIMER MOUNTING BRACKET	1
20	800307	FAST-540 NUT 5/16-18 HEX SS	4
21	800302	FAST-535 WASHER 5/16 FLAT SS	4
22	800385	FAST-561 SCREW 5/16-18X1 HEX CAP SS	4
23	800706	PART-316 ELBOW BRB 3/8 TO MNPT 1/2, BR	2
24	700122	GAUGE-1 PRESSURE GAUGE 2-1/2" 0-600PSI (BAR)	1
25	800719	C-4067-5 ELBOW 1/4 NPT M. TO FEM	1
26	600428	B-6365 CHECK VALVE ASSEMBLY 1-1/2" NPSH	1
27	800823	PART-147 RED. NIPPLE 3/8NPT TO 1/4NPT	1
28	800780	PART-348 VALVE BRASS MINI 3/8 NPT, WEDGE	1
29	800819	PART-190 RED. BUSHING 3/8 TO 1/4 FM NPT	1
30	800660	PART-474 NIPPLE QD M TO 1/4" NPTM	1
31	800513	FAST-501 LOCKWASHER 5/16 SPLIT ZINC	10
32	800523	FAST-352 NUT 5/16-18 HEX ZINC	4
33	800531	FAST-15 SCREW 5/16-18X1-3/4 HEX CAP ZINC	4
34	700094	B-7591 BB-4 FRAME, USDAFS	1
35	600006	12-16S 4-STG HIGH PRESS PUMP END W/SEALED BEARING	1
36	600063	212-170P CLAMP ASSEMBLY, ALU. PAINTED	1
37	600070*	C-7220 SPEED INCREASER ASSEMBLY, ALU. PAINTED	1

\*See exploded view of Drive Assembly Vertical





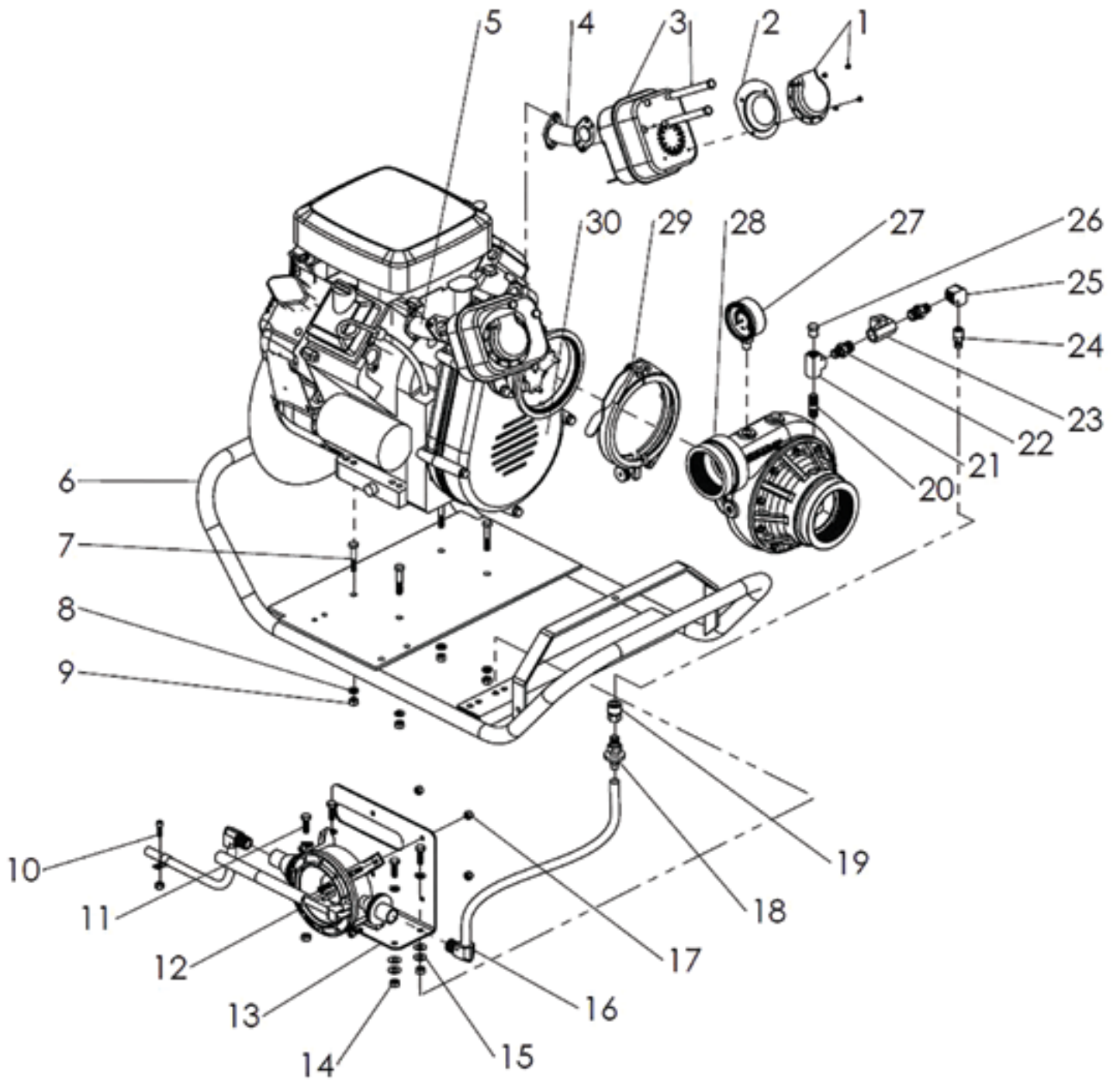


## BB-4-18PXTC

ID	ITEM NO	DESCRIPTION	QTY
1	700077	A-7242 HANDLE CAP FOR C-6890, BRONZE	1
2	600028	B-7241 MUFFLER HANDLE LEVER FOR C-6890, PLATED	1
3	800483	FAST-706 CLEVIS PIN 1/4" X 27/32" LG	2
4	800465	B-2428-8 COTTER PIN 3/32" X 1/2" LG, SS	2
5	800563	FAST-6 SCREW #10-24X3/8 PHILLIPS BINDING SS	1
6	800511	FAST-504 LOCKWASHER #10 SPRING SS	1
7	600113	A-7243 LEVER CLAMP FOR C-6890 MUFFLER, S.S.	1
8	800474	D-5269-7 WASHER 1/4 FLAT SS	2
9	800525	FAST-21 SCREW M6X1.0X25 HEX CAP ZINC	2
10	800673	PART-454 VERNIER THROTTLE CABLE (3100)	1
11	800403	PART-525 PLUG, PLASTIC, LOCK, 1/2" HOLE, BLACK	2
12	800433	PART-524 PLASTIC PLUG 0.375" HOLE, BK	2
13	800914	PART-378 SWITCH TOGGLE DPDT 20A ON-ON	1
14	800924	PART-472 PUSH BUTTON DPST 4P,(ON)-OFF	1
15	700051	A-7721 ENGINE MOUNT CTRL PANEL FRAME	1
16	700122	GAUGE-1 PRESSURE GAUGE 2-1/2" O-600PSI (BAR)	1
17	800719	C-4067-5 ELBOW 1/4 NPT M. TO FEM	1
18	600428	B-6365 CHECK VALVE ASSEMBLY 1-1/2" NPSH	1
19	800823	PART-147 RED. NIPPLE 3/8NPT TO 1/4NPT	1
20	800780	PART-348 VALVE BRASS MINI 3/8 NPT,WEDGE	1
21	800819	PART-190 RED. BUSHING 3/8 TO 1/4 FM NPT	1
22	800660	PART-474 NIPPLE QD M TO 1/4" NPTM	1
23	600097	C-7590 MUFFLER FOR BB-4-23VG, PAINTED	1
24	70028	A-4585 NOZZLE CONE FOR A-4583, BRASS	1
25	700071	C-5370-11 WASHER 7/8" OD X 11/32" ID X 1/16" TH, S.S.	1
26	800548	R-119 LOCKWASHER M8 SPLIT ZINC	1
27	800520	R-414 SCREW M8X1.25X20 HEX CAP CADM	1
28	700019	A-4584 BODY EJECTOR FOR A-4585, BRASS	1
29	700635	C-6750-20 ADP 1/4" NPT M. TO 3/8" TUBE	1
30	800696	A-6751-5 SWIVEL 45DEGRES SAE	1
31	800649	PART-475 COUPLER QD F TO 1/4" NPTF	1
32	800833	PART-129 COUPLER 1/4NPTM TO 3/8" BARB	1
33	800523	FAST-352 NUT 5/16-18 HEX ZINC	4
34	800513	FAST-501 LOCKWASHER 5/16 SPLIT ZINC	10
35	800531	FAST-15 SCREW 5/16-18X1-3/4 HEX CAP ZINC	4
36	700094	B-7591 BB-4 FRAME, USDAFS	1
37	600006	12-16S 4-STG HIGH PRESS PUMP END W/SEALED BEARING	1
38	600063	212-170P CLAMP ASSEMBLY, ALU. PAINTED	1
39	600070*	C-7220 SPEED INCREASER ASSEMBLY, ALU. PAINTED	1

\*See exploded view of Drive Assembly Vertical

# B2X-23

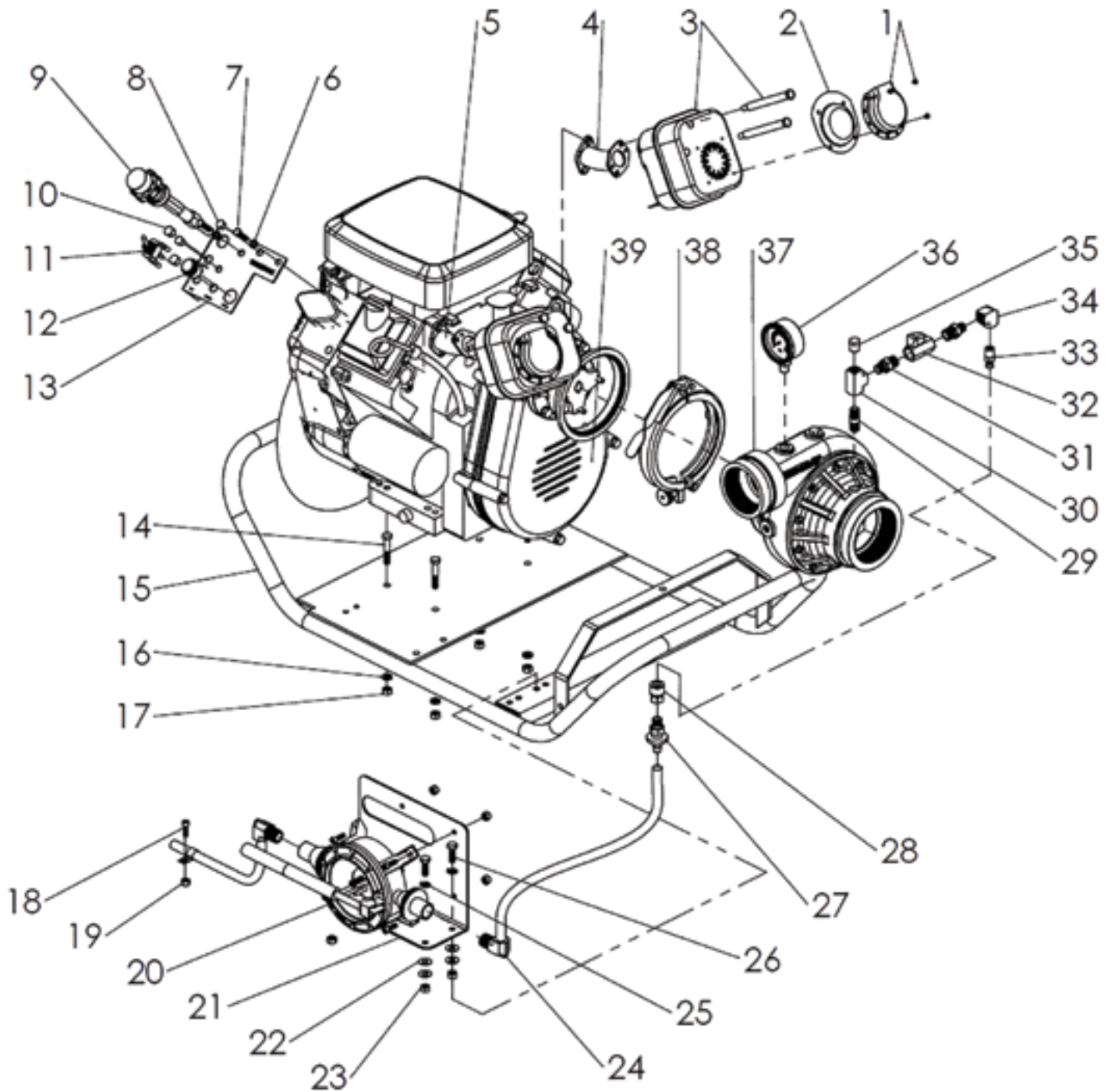




## B2X-23P

ID	ITEM NO	DESCRIPTION	QTY
1	800136	BRIGGS-222573 MUFFLER DEFLECTOR	2
2	800143	BRIGGS-392390 SPARK ARRESTOR USE ON B1-11-HP	2
3	800144	BRIGGS-399635 LOW TONE MUFFLER F/18IC ENGINE	2
4	700060	A-7577 MANIFOLD RH, LOW TONE MUFFLER B&S 23	1
5	700059	A-7576 MANIFOLD LH, LOW TONE MUFFLER B&S 23	1
6	700094	B-7591 BB-4 FRAME, USDAFS	1
7	800531	FAST-15 SCREW 5/16-18X1-3/4 HEX CAP ZINC	4
8	800513	FAST-501 LOCKWASHER 5/16 SPLIT ZINC	10
9	800523	FAST-352 NUT 5/16-18 HEX ZINC	4
10	800383	FAST-744 SCREW 1/4-20X1/2 HEX SOCKET SS	5
11	800385	FAST-561 SCREW 5/16-18X1 HEX CAP SS	4
12	800737	BOS-400-H-1/2 GUZZLER HAND PRIMER,1/2 NPT	1
13	700078	A-7700 GUZZLER PRIMER MOUNTING BRACKET	1
14	800307	FAST-540 NUT 5/16-18 HEX SS	4
15	800302	FAST-535 WASHER 5/16 FLAT SS	4
16	800706	PART-316 ELBOW BRB 3/8 TO MNPT 1/2,BR	2
17	800419	C-6650-14 NUT 1/4-20 HEX NYLON LOCK ZINC	5
18	800833	PART-129 COUPLER 1/4NPTM TO 3/8" BARB	1
19	800649	PART-475 COUPLER QD F TO 1/4" NPTF	1
20	800798	PART-243 NIPPLE LONG 1/4" NPT X 1.5"	1
21	800748	PART-373 TEE 1/4 NPT FEM BRASS	1
22	800823	PART-147 RED. NIPPLE 3/8NPT TO 1/4NPT	2
23	800780	PART-348 VALVE BRASS MINI 3/8 NPT,WEDGE	1
24	800660	PART-474 NIPPLE QD M TO 1/4" NPTM	1
25	800799	PART-244 ELBOW 90 DEG FEM X FEM 1/4"NPT	1
26	700614	B-6365-11 PLUG 1/4" NPT, BRASS	1
27	700122	GAUGE-1 PRESSURE GAUGE 2-1/2"0-600PSI (BAR)	1
28	600007	B2X 2-STAGE DETACH. MID RANGE PUMP END	1
29	600063	212-170P CLAMP ASSEMBLY, ALU. PAINTED	1
30	600070*	C-7220 SPEED INCREASER ASSEMBLY, ALU. PAINTED	1

\*See exploded view of Drive Assembly Vertical



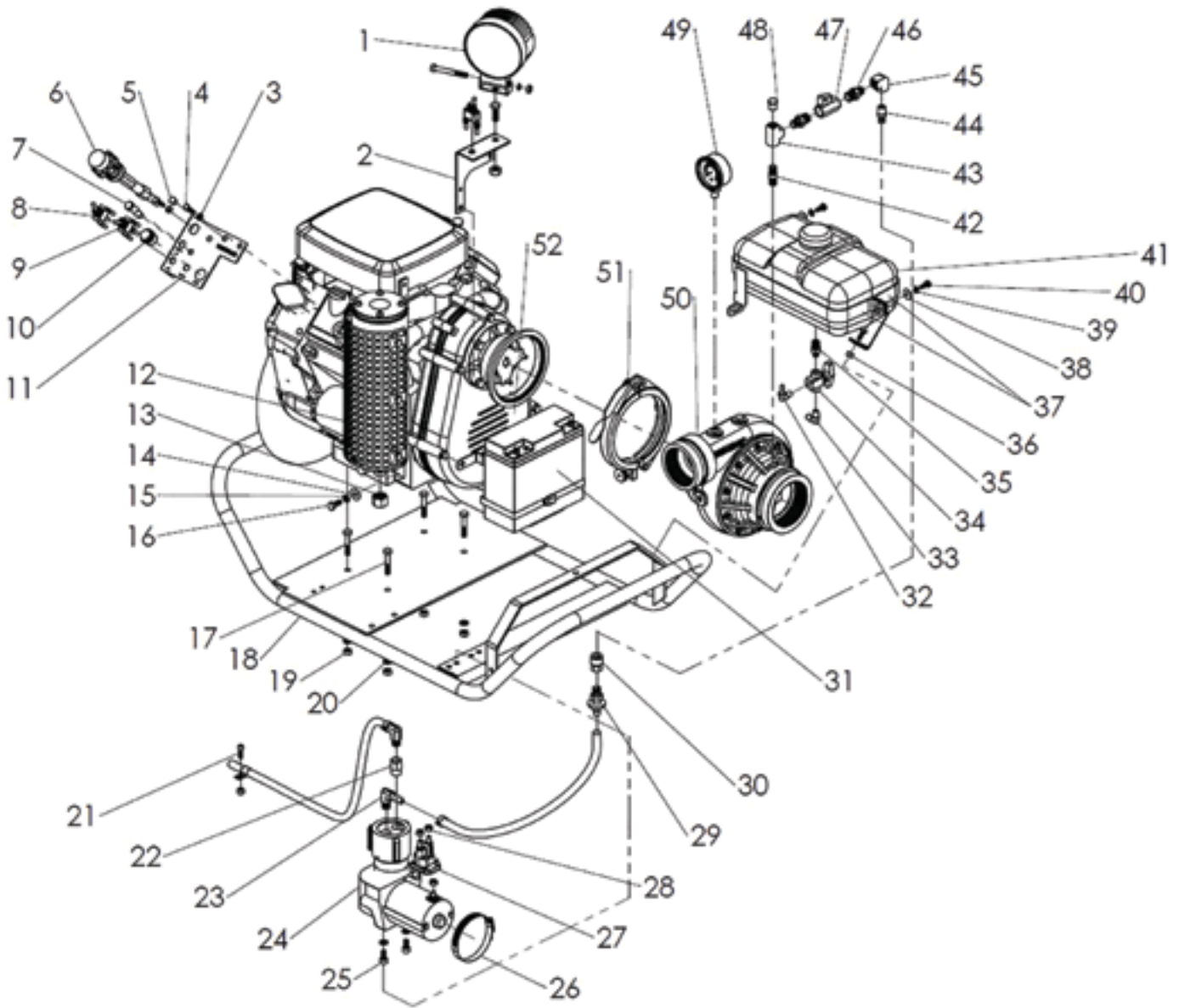




## B2X-23PC

ID	ITEM NO	DESCRIPTION	QTY
1	800136	BRIGGS-222573 MUFFLER DEFLECTOR	2
2	800143	BRIGGS-392390 SPARK ARRESTOR USE ON B1-11-HP	2
3	800144	BRIGGS-399635 LOW TONE MUFFLER F/18IC ENGINE	2
4	700060	A-7577 MANIFOLD RH, LOW TONE MUFFLER B&S 23	1
5	700059	A-7576 MANIFOLD LH, LOW TONE MUFFLER B&S 23	1
6	800474	D-5269-7 WASHER 1/4 FLAT SS	2
7	800525	FAST-21 SCREW M6X1.0X25 HEX CAP ZINC	2
8	800433	PART-524 PLASTIC PLUG 0.375" HOLE, BK	2
9	800673	PART-454 VERNIER THROTTLE CABLE (3100)	1
10	800403	PART-525 PLUG, PLASTIC, LOCK, 1/2" HOLE, BLACK	2
11	800914	PART-378 SWITCH TOGGLE DPDT 20A ON-ON	1
12	800924	PART-472 PUSH BUTTON DPST 4P,(ON)-OFF	1
13	700051	A-7721 ENGINE MOUNT CTRL PANEL FRAME	1
14	800531	FAST-15 SCREW 5/16-18X1-3/4 HEX CAP ZINC	4
15	700094	B-7591 BB-4 FRAME, USDAFS	1
16	800513	FAST-501 LOCKWASHER 5/16 SPLIT ZINC	10
17	800523	FAST-352 NUT 5/16-18 HEX ZINC	4
18	800383	FAST-744 SCREW 1/4-20X1/2 HEX SOCKET SS	5
19	800419	C-6650-14 NUT 1/4-20 HEX NYLON LOCK ZINC	5
20	800737	BOS-400-H-1/2 GUZZLER HAND PRIMER,1/2 NPT	1
21	700078	A-7700 GUZZLER PRIMER MOUNTING BRACKET	1
22	800302	FAST-535 WASHER 5/16 FLAT SS	4
23	800307	FAST-540 NUT 5/16-18 HEX SS	4
24	800706	PART-316 ELBOW BRB 3/8 TO MNPT 1/2,BR	2
25	800312	FAST-545 LOCKWASHER 5/16 SPLIT SS	4
26	800385	FAST-561 SCREW 5/16-18X1 HEX CAP SS	4
27	800833	PART-129 COUPLER 1/4NPTM TO 3/8" BARB	1
28	800649	PART-475 COUPLER QD F TO 1/4" NPTF	1
29	800798	PART-243 NIPPLE LONG 1/4" NPT X 1.5"	1
30	800748	PART-373 TEE 1/4 NPT FEM BRASS	1
31	800823	PART-147 RED. NIPPLE 3/8NPT TO 1/4NPT	2
32	800780	PART-348 VALVE BRASS MINI 3/8 NPT,WEDGE	1
33	800660	PART-474 NIPPLE QD M TO 1/4" NPTM	1
34	800799	PART-244 ELBOW 90 DEG FEM X FEM 1/4"NPT	1
35	700614	B-6365-11 PLUG 1/4" NPT, BRASS	1
36	700122	GAUGE-1 PRESSURE GAUGE 2-1/2" 0-600PSI (BAR)	1
37	600007	B2X 2-STAGE DETACH. MID RANGE PUMP END	1
38	600063	212-170P CLAMP ASSEMBLY, ALU. PAINTED	1
39	600070*	C-7220 SPEED INCREASER ASSEMBLY, ALU. PAINTED	1

\*See exploded view of Drive Assembly Vertical



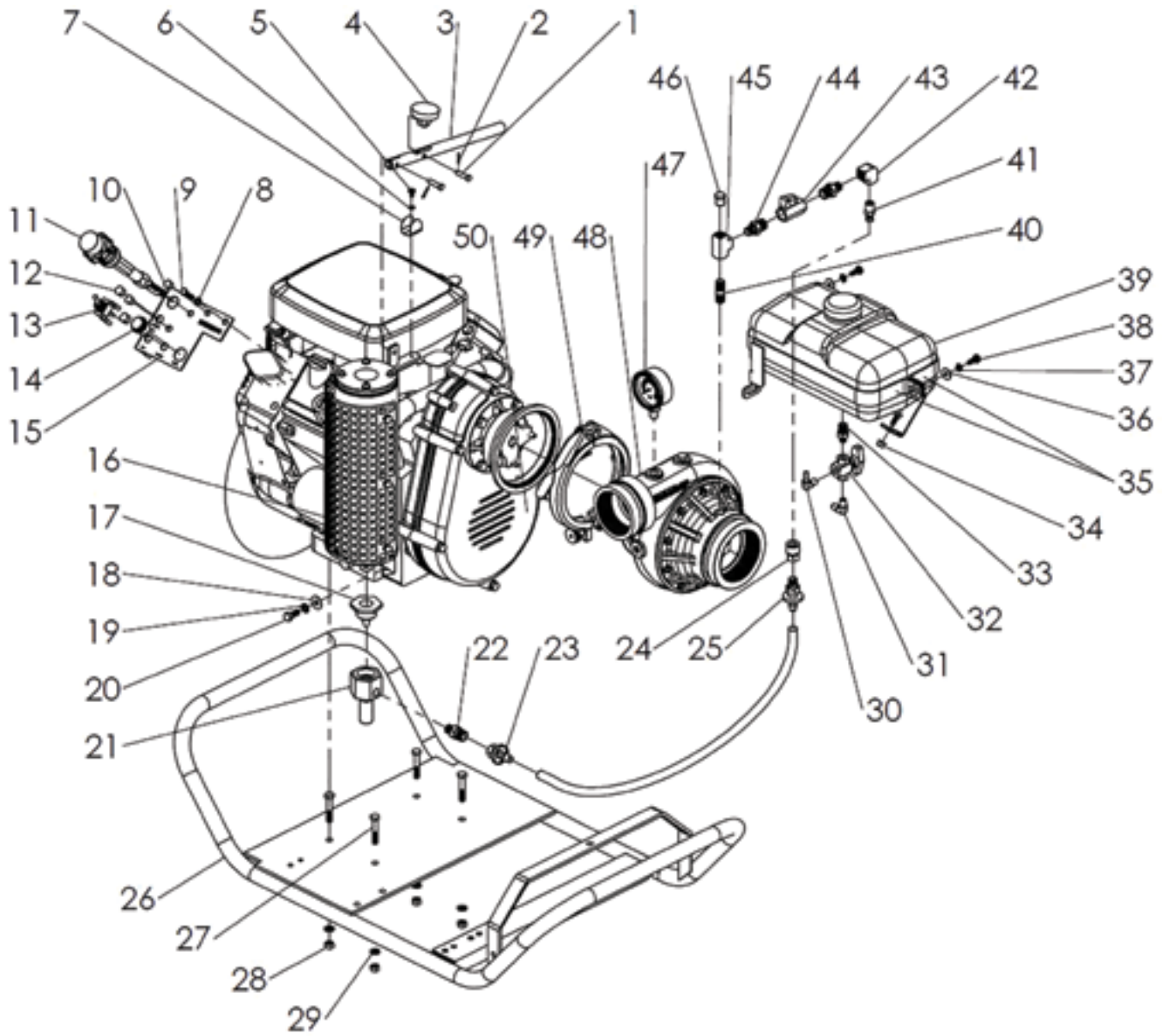
## B2X-23PETC

ID	ITEM NO	DESCRIPTION	QTY
1	800987	PART-365 WORK LIGHT 27W LED W/HARDWARE	1
2	700272	A-7694 TRPD WORK LIGHT BRACKET TM	1
3	800474	D-5269-7 WASHER 1/4 FLAT SS	2
4	800525	FAST-21 SCREW M6X1.0X25 HEX CAP ZINC	2
5	800433	PART-524 PLASTIC PLUG 0.375" HOLE, BK	2
6	800673	PART-454 VERNIER THROTTLE CABLE (3100)	1
7	800926	PART-455 RED LED INDICATOR 12V, .500"H	1
8	800914	PART-378 SWITCH TOGGLE DPDT 20A ON-ON	2
9	800904	PART-381 SW TOGGLE, SPST, 15A, OFF-(ON)	1
10	800924	PART-472 PUSH BUTTON DPST 4P,(ON)-OFF	1



ID	ITEM NO	DESCRIPTION	QTY
11	700051	A-7721 ENGINE MOUNT CTRL PANEL FRAME	1
12	600097	C-7590 MUFFLER FOR BB-4-23VG, PAINTED	1
13	800797	PART-241 CAP 1/2 NPT, BRASS	1
14	700071	C-5370-11 WASHER 7/8"OD X 11/32"ID X 1/16"TH, S.S.	1
15	800548	R-119 LOCKWASHER M8 SPLIT ZINC	3
16	800520	R-414 SCREW M8X1.25X20 HEX CAP CADM	1
17	800531	FAST-15 SCREW 5/16-18X1-3/4 HEX CAP ZINC	4
18	700094	B-7591 BB-4 FRAME, USDAFS	1
19	800523	FAST-352 NUT 5/16-18 HEX ZINC	4
20	800513	FAST-501 LOCKWASHER 5/16 SPLIT ZINC	10
21	800383	FAST-744 SCREW 1/4-20X1/2 HEX SOCKET SS	1
22	700596	B-6601W-27 ADP 3/8" M. NPT TO 3/8"FEM NPT	1
23	800703	PART-315 ELBOW BRB 3/8 TO MNPT 3/8, BR	4
24	600067	B-7498 ELECTRIC PRIMER	1
25	800336	FAST-746 SCREW M8X1.25X16 HEX SOCKET SS	2
26	700695	PART-272 WORM HOSE CLAMP 2-9/16"-3-1/2"	1
27	800135	BRIGGS-691656 SOLENOID	1
28	800296	FAST-528 NUT 1/4-20 HEX NYLON LOCK SS	4
29	800833	PART-129 COUPLER 1/4NPTM TO 3/8"BARB	1
30	800649	PART-475 COUPLER QD F TO 1/4" NPTF	1
31	600090	A-7612 BATTERY KIT FOR DRIVE BOX MOUNTING	1
32	800716	C-6700-28 ELBOW 1/8"NPT M. TO 1/4" HOSE	1
33	800817	PART-169 ELBOW 1/4" TUBE(SAE45) TO 1/8NPT	1
34	800796	PART-24 1/8 -3WAY VALVE	1
35	800761	PART-406 HX NIPPLE 1/4MPT TO 1/8MPT	1
36	800427	FAST-729 NUT 1/4-20 HEX NYLON LOCK ZINC	1
37	700516	A-7688 FUEL TANK BRACKET BB-4	1
38	800543	R-151 WASHER 1/4 FLAT ZINC	2
39	800428	FAST-728 LOCKWASHER 1/4 SPLIT ZINC	2
40	800431	FAST-727 SCREW 1/4-20X5/8 HEX CAP ZINC	3
41	700627	PART-370 EPA/CARB 1 GAL FUEL TANK 2012	1
42	800798	PART-243 NIPPLE LONG 1/4" NPT X 1.5"	1
43	800748	PART-373 TEE 1/4 NPT FEM BRASS	1
44	800660	PART-474 NIPPLE QD M TO 1/4" NPTM	1
45	800799	PART-244 ELBOW 90 DEG FEM X FEM 1/4"NPT	1
46	800823	PART-147 RED. NIPPLE 3/8NPT TO 1/4NPT	2
47	800780	PART-348 VALVE BRASS MINI 3/8 NPT,WEDGE	1
48	700614	B-6365-11 PLUG 1/4" NPT, BRASS	1
49	700122	GAUGE-1 PRESSURE GAUGE 2-1/2"0-600PSI (BAR)	1
50	600007	B2X 2-STAGE DETACH. MID RANGE PUMP END	1
51	600063	212-170P CLAMP ASSEMBLY, ALU. PAINTED	1
52	600070*	C-7220 SPEED INCREASER ASSEMBLY, ALU. PAINTED	1

\*See exploded view of Drive Assembly Vertical



## B2X-23PXTC

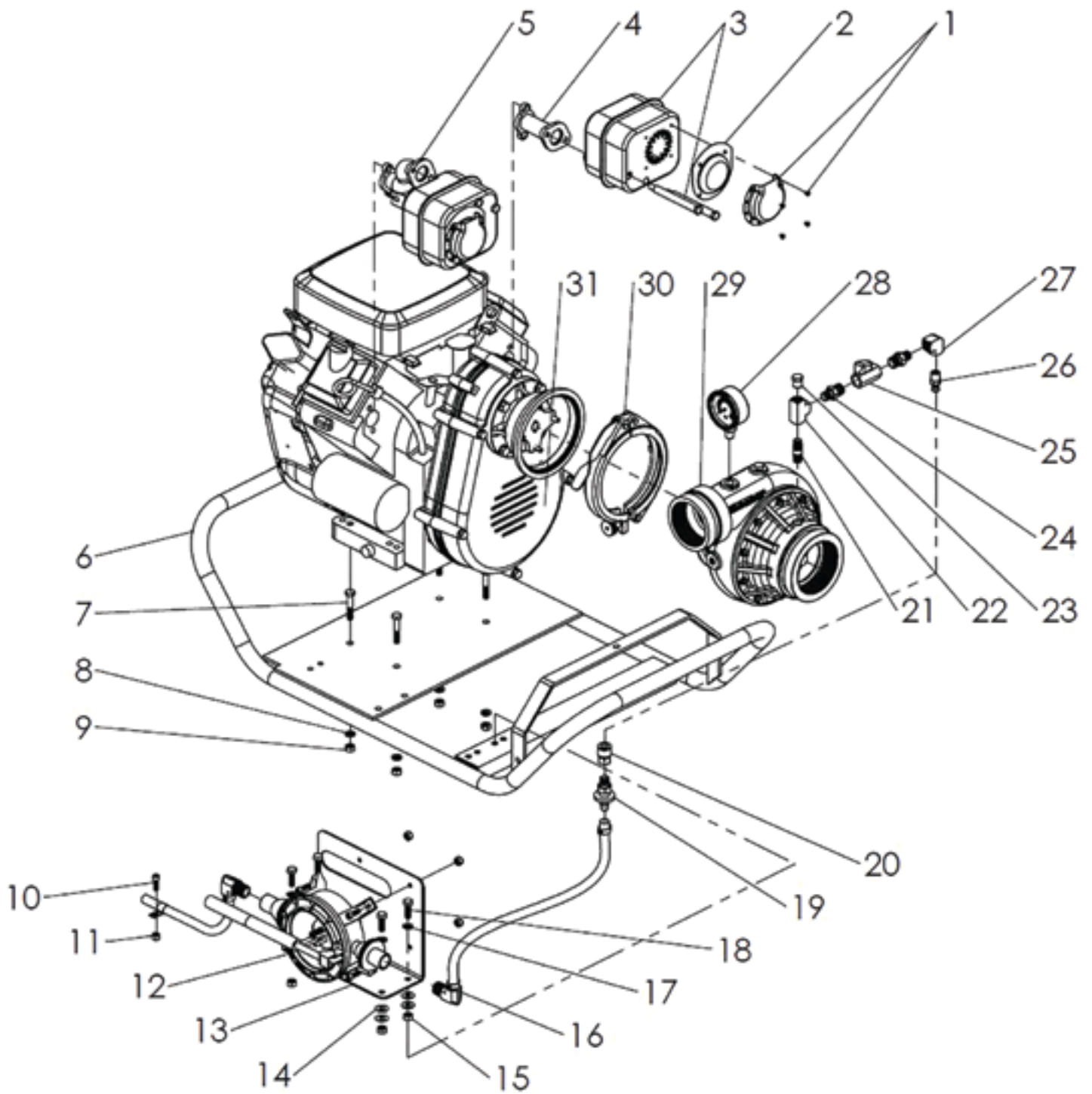
ID	ITEM NO	DESCRIPTION	QTY
1	800483	FAST-706 CLEVIS PIN 1/4" X 27/32" LG	2
2	800465	B-2428-8 COTTER PIN 3/32" X 1/2" LG, SS	2
3	600028	B-7241 MUFFLER HANDLE LEVER FOR C-6890, PLATED	1
4	700077	A-7242 HANDLE CAP FOR C-6890, BRONZE	1
5	800563	FAST-6 SCREW #10-24X3/8 PHILLIPS BINDING SS	1
6	800511	FAST-504 LOCKWASHER #10 SPRING SS	1
7	600113	A-7243 LEVER CLAMP FOR C-6890 MUFFLER, S.S.	1
8	800474	D-5269-7 WASHER 1/4 FLAT SS	2
9	800525	FAST-21 SCREW M6X1.0X25 HEX CAP ZINC	2
10	800433	PART-524 PLASTIC PLUG 0.375" HOLE, BK	2





ID	ITEM NO	DESCRIPTION	QTY
11	800673	PART-454 VERNIER THROTTLE CABLE (3100)	1
12	800403	PART-525 PLUG, PLASTIC, LOCK, 1/2" HOLE, BLACK	2
13	800914	PART-378 SWITCH TOGGLE DPDT 20A ON-ON	1
14	800924	PART-472 PUSH BUTTON DPST 4P,(ON)-OFF	1
15	700051	A-7721 ENGINE MOUNT CTRL PANEL FRAME	1
16	600097	C-7590 MUFFLER FOR BB-4-23VG, PAINTED	1
17	700028	A-4585 NOZZLE CONE FOR A-4583, BRASS	1
18	700071	C-5370-11 WASHER 7/8"OD X 11/32"ID X 1/16"TH, S.S.	1
19	800548	R-119 LOCKWASHER M8 SPLIT ZINC	1
20	800520	R-414 SCREW M8X1.25X20 HEX CAP CADM	1
21	700019	A-4584 BODY EJECTOR FOR A-4585, BRASS	1
22	700635	C-6750-20 ADP 1/4" NPT M. TO 3/8" TUBE	1
23	800696	A-6751-5 SWIVEL 45DEGRES SAE	1
24	800649	PART-475 COUPLER QD F TO 1/4" NPTF	1
25	800833	PART-129 COUPLER 1/4NPTM TO 3/8"BARB	1
26	700094	B-7591 BB-4 FRAME, USDAFS	1
27	800531	FAST-15 SCREW 5/16-18X1-3/4 HEX CAP ZINC	4
28	800523	FAST-352 NUT 5/16-18 HEX ZINC	4
29	800513	FAST-501 LOCKWASHER 5/16 SPLIT ZINC	10
30	800716	C-6700-28 ELBOW 1/8"NPT M. TO 1/4" HOSE	1
31	800817	PART-169 ELBOW 1/4" TUBE(SAE45) TO 1/8NPT	1
32	800796	PART-24 1/8 -3WAY VALVE	1
33	800761	PART-406 HX NIPPLE 1/4MPT TO 1/8MPT	1
34	800427	FAST-729 NUT 1/4-20 HEX NYLON LOCK ZINC	1
35	700516	A-7688 FUEL TANK BRACKET BB-4	1
36	800543	R-151 WASHER 1/4 FLAT ZINC	2
37	800428	FAST-728 LOCKWASHER 1/4 SPLIT ZINC	2
38	800431	FAST-727 SCREW 1/4-20X5/8 HEX CAP ZINC	3
39	700627	PART-370 EPA/CARB 1 GAL FUEL TANK 2012	1
40	800798	PART-243 NIPPLE LONG 1/4" NPT X 1.5"	1
41	800660	PART-474 NIPPLE QD M TO 1/4" NPTM	1
42	800799	PART-244 ELBOW 90 DEG FEM X FEM 1/4"NPT	1
43	800780	PART-348 VALVE BRASS MINI 3/8 NPT,WEDGE	1
44	800823	PART-147 RED. NIPPLE 3/8NPT TO 1/4NPT	2
45	800748	PART-373 TEE 1/4 NPT FEM BRASS	1
46	700614	B-6365-11 PLUG 1/4" NPT, BRASS	1
47	700122	GAUGE-1 PRESSURE GAUGE 2-1/2"O-600PSI (BAR)	1
48	600007	B2X 2-STAGE DETACH. MID RANGE PUMP END	1
49	600063	212-170P CLAMP ASSEMBLY, ALU. PAINTED	1
50	600070*	C-7220 SPEED INCREASER ASSEMBLY, ALU. PAINTED	1

\*See exploded view of Drive Assembly Vertical

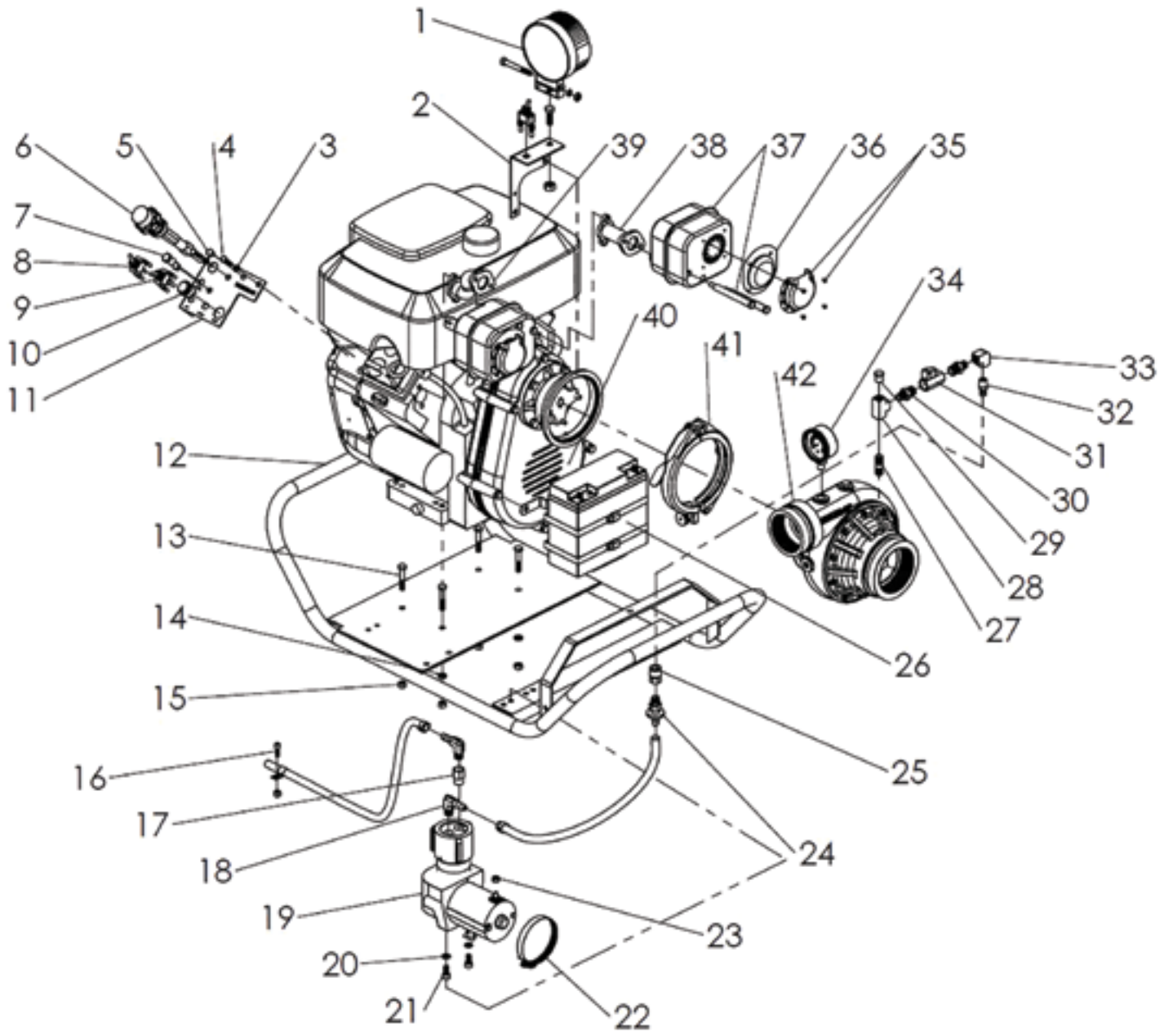
**B2X-18**



## B2X-18P

ID	ITEM NO	DESCRIPTION	QTY
1	800136	BRIGGS-222573 MUFFLER DEFLECTOR	2
2	800143	BRIGGS-392390 SPARK ARRESTOR USE ON B1-11-HP	2
3	800144	BRIGGS-399635 LOW TONE MUFFLER F/18IC ENGINE	2
4	700107	C-7593R MANIFOLD RH, LOW TONE MUFFLER B&S 18	1
5	700085	C-7593L MANIFOLD LH, LOW TONE MUFFLER B&S 18	1
6	700094	B-7591 BB-4 FRAME, USDAFS	1
7	800531	FAST-15 SCREW 5/16-18X1-3/4 HEX CAP ZINC	4
8	800513	FAST-501 LOCKWASHER 5/16 SPLIT ZINC	10
9	800523	FAST-352 NUT 5/16-18 HEX ZINC	4
10	800383	FAST-744 SCREW 1/4-20X1/2 HEX SOCKET SS	5
11	800419	C-6650-14 NUT 1/4-20 HEX NYLON LOCK ZINC	5
12	800737	BOS-400-H-1/2 GUZZLER HAND PRIMER,1/2 NPT	1
13	700078	A-7700 GUZZLER PRIMER MOUNTING BRACKET	1
14	800302	FAST-535 WASHER 5/16 FLAT SS	4
15	800307	FAST-540 NUT 5/16-18 HEX SS	4
16	800706	PART-316 ELBOW BRB 3/8 TO MNPT 1/2,BR	2
17	800312	FAST-545 LOCKWASHER 5/16 SPLIT SS	4
18	800385	FAST-561 SCREW 5/16-18X1 HEX CAP SS	4
19	800833	PART-129 COUPLER 1/4NPTM TO 3/8" BARB	1
20	800649	PART-475 COUPLER QD F TO 1/4" NPTF	1
21	800798	PART-243 NIPPLE LONG 1/4" NPT X 1.5"	1
22	800748	PART-373 TEE 1/4 NPT FEM BRASS	1
23	700614	B-6365-11 PLUG 1/4" NPT, BRASS	1
24	800823	PART-147 RED. NIPPLE 3/8NPT TO 1/4NPT	2
25	800780	PART-348 VALVE BRASS MINI 3/8 NPT,WEDGE	1
26	800660	PART-474 NIPPLE QD M TO 1/4" NPTM	1
27	800799	PART-244 ELBOW 90 DEG FEM X FEM 1/4"NPT	1
28	700122	GAUGE-1 PRESSURE GAUGE 2-1/2"0-600PSI (BAR)	1
29	600007	B2X 2-STAGE DETACH. MID RANGE PUMP END	1
30	600063	212-170P CLAMP ASSEMBLY, ALU. PAINTED	1
31	600070*	C-7220 SPEED INCREASER ASSEMBLY, ALU. PAINTED	1

\*See exploded view of Drive Assembly Vertical



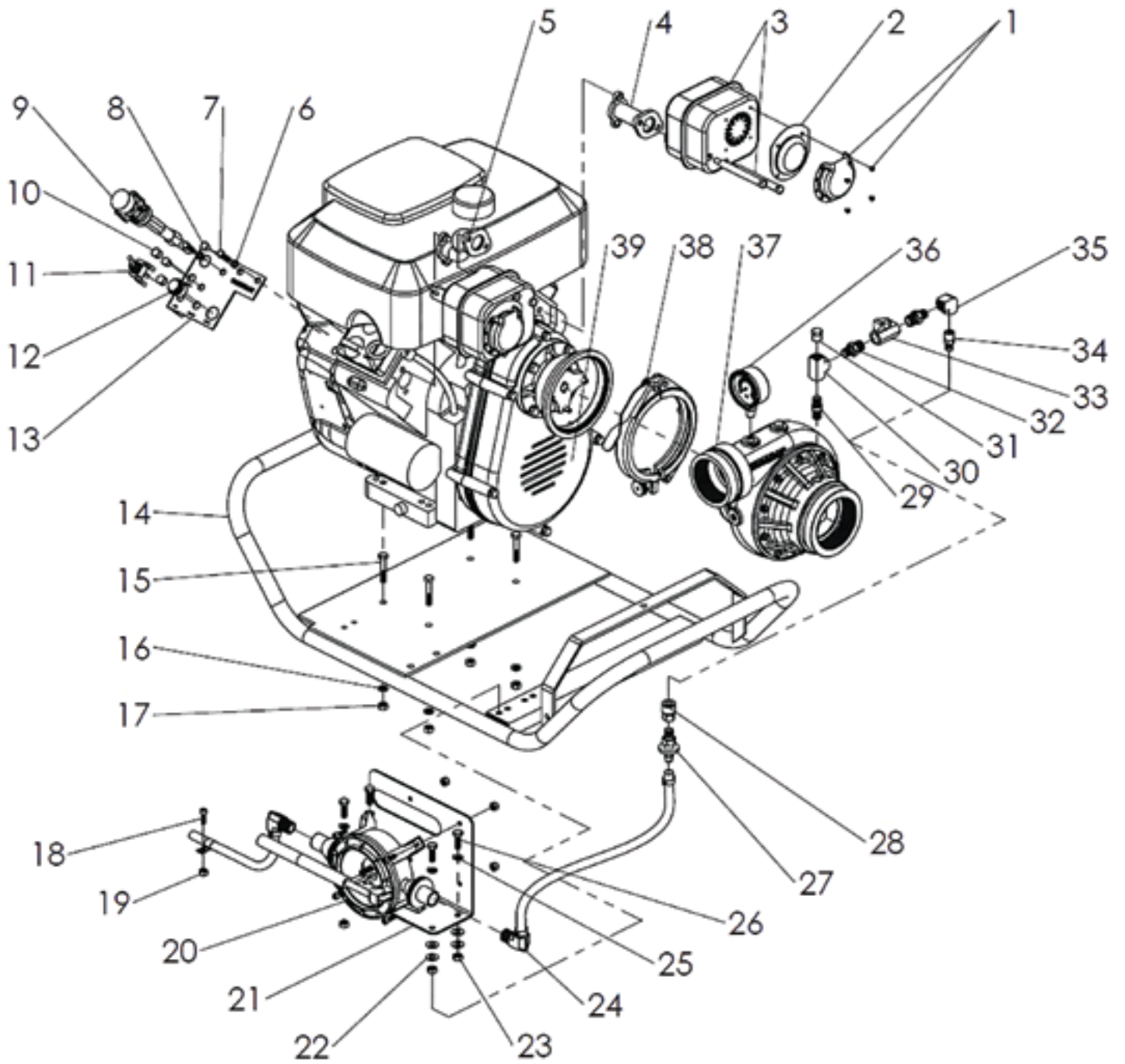




## B2X-18PETC

ID	ITEM NO	DESCRIPTION	QTY
1	800987	PART-365 WORK LIGHT 27W LED W/HARDWARE	1
2	700272	A-7694 TRPD WORK LIGHT BRACKET TM	1
3	800474	D-5269-7 WASHER 1/4 FLAT SS	2
4	800525	FAST-21 SCREW M6X1.0X25 HEX CAP ZINC	2
5	800433	PART-524 PLASTIC PLUG 0.375" HOLE, BK	2
6	800673	PART-454 VERNIER THROTTLE CABLE (3100)	1
7	800926	PART-455 RED LED INDICATOR 12V, .500"H	1
8	800914	PART-378 SWITCH TOGGLE DPDT 20A ON-ON	2
9	800904	PART-381 SW TOGGLE, SPST, 15A, OFF-(ON)	1
10	800924	PART-472 PUSH BUTTON DPST 4P,(ON)-OFF	1
11	700051	A-7721 ENGINE MOUNT CTRL PANEL FRAME	1
12	700094	B-7591 BB-4 FRAME, USDAFS	1
13	800531	FAST-15 SCREW 5/16-18X1-3/4 HEX CAP ZINC	4
14	800513	FAST-501 LOCKWASHER 5/16 SPLIT ZINC	10
15	800523	FAST-352 NUT 5/16-18 HEX ZINC	4
16	800383	FAST-744 SCREW 1/4-20X1/2 HEX SOCKET SS	1
17	700596	B-6601W-27 ADP 3/8" M. NPT TO 3/8"FEM NPT	1
18	800703	PART-315 ELBOW BRB 3/8 TO MNPT 3/8, BR	4
19	600067	B-7498 ELECTRIC PRIMER	1
20	800548	R-119 LOCKWASHER M8 SPLIT ZINC	2
21	800336	FAST-746 SCREW M8X1.25X16 HEX SOCKET SS	2
22	700695	PART-272 WORM HOSE CLAMP 2-9/16"-3-1/2"	1
23	800296	FAST-528 NUT 1/4-20 HEX NYLON LOCK SS	4
24	800833	PART-129 COUPLER 1/4NPTM TO 3/8"BARB	1
25	800649	PART-475 COUPLER QD F TO 1/4" NPTF	1
26	600090	A-7612 BATTERY KIT FOR DRIVE BOX MOUNTING	1
27	800798	PART-243 NIPPLE LONG 1/4" NPT X 1.5"	1
28	800748	PART-373 TEE 1/4 NPT FEM BRASS	1
29	700614	B-6365-11 PLUG 1/4" NPT, BRASS	1
30	800823	PART-147 RED. NIPPLE 3/8NPT TO 1/4NPT	2
31	800780	PART-348 VALVE BRASS MINI 3/8 NPT,WEDGE	1
32	800660	PART-474 NIPPLE QD M TO 1/4" NPTM	1
33	800799	PART-244 ELBOW 90 DEG FEM X FEM 1/4"NPT	1
34	700122	GAUGE-1 PRESSURE GAUGE 2-1/2"0-600PSI (BAR)	1
35	800136	BRIGGS-222573 MUFFLER DEFLECTOR	2
36	800143	BRIGGS-392390 SPARK ARRESTOR USE ON B1-11-HP	2
37	800144	BRIGGS-399635 LOW TONE MUFFLER F/18IC ENGINE	2
38	700107	C-7593R MANIFOLD RH, LOW TONE MUFFLER B&S 18	1
39	700085	C-7593L MANIFOLD LH, LOW TONE MUFFLER B&S 18	1
40	600070*	C-7220 SPEED INCREASER ASSEMBLY, ALU. PAINTED	1
41	600063	212-170P CLAMP ASSEMBLY, ALU. PAINTED	1
42	600007	B2X 2-STAGE DETACH. MID RANGE PUMP END	1

\*See exploded view of Drive Assembly Vertical

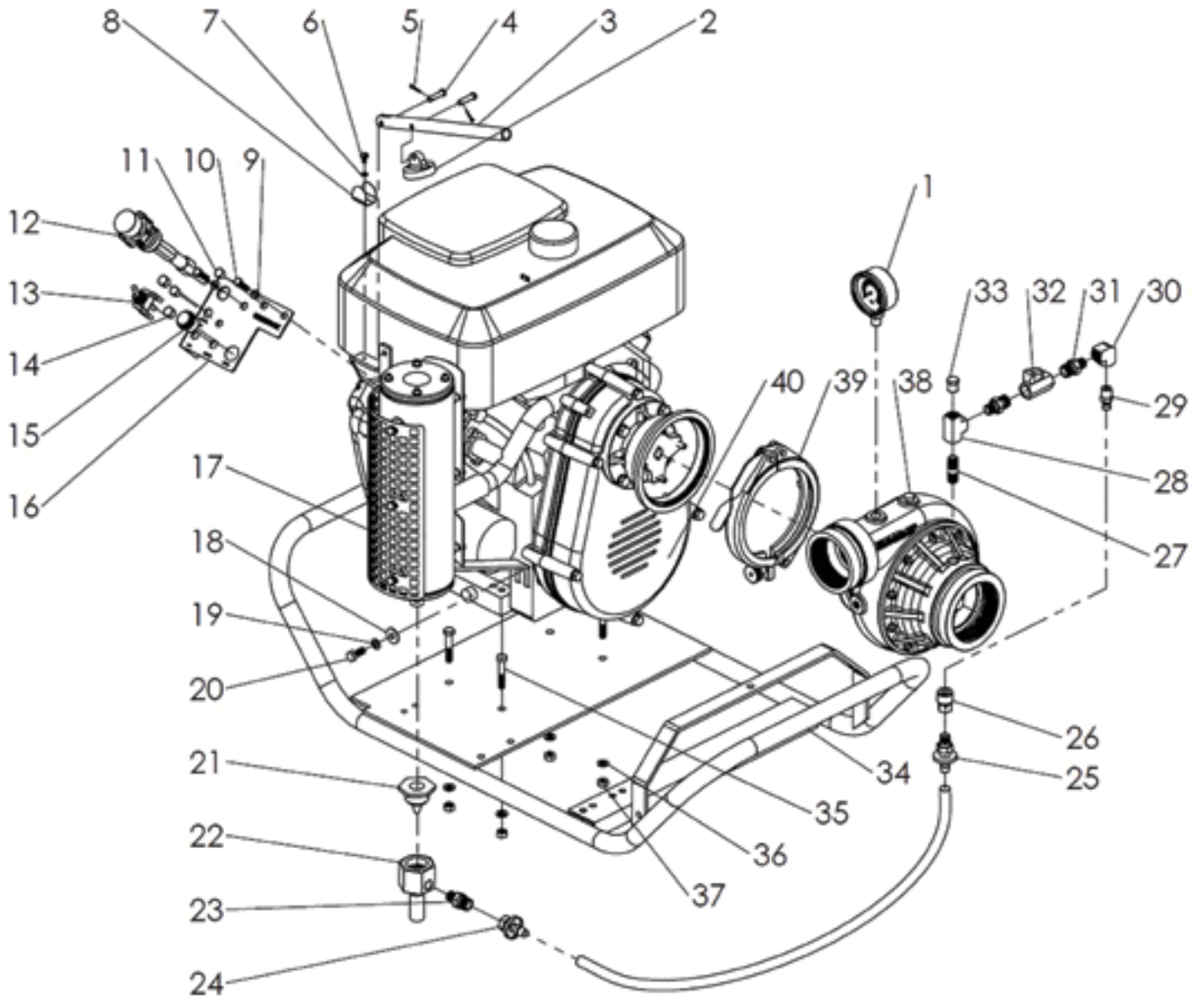




## B2X-18PTC

ID	ITEM NO	DESCRIPTION	QTY
1	800136	BRIGGS-222573 MUFFLER DEFLECTOR	2
2	800143	BRIGGS-392390 SPARK ARRESTOR USE ON B1-11-HP	2
3	800144	BRIGGS-399635 LOW TONE MUFFLER F/18IC ENGINE	2
4	700107	C-7593R MANIFOLD RH, LOW TONE MUFFLER B&S 18	1
5	700085	C-7593L MANIFOLD LH, LOW TONE MUFFLER B&S 18	1
6	800474	D-5269-7 WASHER 1/4 FLAT SS	2
7	800525	FAST-21 SCREW M6X1.0X25 HEX CAP ZINC	2
8	800433	PART-524 PLASTIC PLUG 0.375" HOLE, BK	2
9	800673	PART-454 VERNIER THROTTLE CABLE (3100)	1
10	800403	PART-525 PLUG, PLASTIC, LOCK, 1/2" HOLE, BLACK	2
11	800914	PART-378 SWITCH TOGGLE DPDT 20A ON-ON	1
12	800924	PART-472 PUSH BUTTON DPST 4P,(ON)-OFF	1
13	700051	A-7721 ENGINE MOUNT CTRL PANEL FRAME	1
14	700094	B-7591 BB-4 FRAME, USDAFS	1
15	800531	FAST-15 SCREW 5/16-18X1-3/4 HEX CAP ZINC	4
16	800513	FAST-501 LOCKWASHER 5/16 SPLIT ZINC	10
17	800523	FAST-352 NUT 5/16-18 HEX ZINC	4
18	800383	FAST-744 SCREW 1/4-20X1/2 HEX SOCKET SS	5
19	800419	C-6650-14 NUT 1/4-20 HEX NYLON LOCK ZINC	5
20	800737	BOS-400-H-1/2 GUZZLER HAND PRIMER,1/2 NPT	1
21	700078	A-7700 GUZZLER PRIMER MOUNTING BRACKET	1
22	800302	FAST-535 WASHER 5/16 FLAT SS	4
23	800307	FAST-540 NUT 5/16-18 HEX SS	4
24	800706	PART-316 ELBOW BRB 3/8 TO MNPT 1/2,BR	2
25	800312	FAST-545 LOCKWASHER 5/16 SPLIT SS	4
26	800385	FAST-561 SCREW 5/16-18X1 HEX CAP SS	4
27	800833	PART-129 COUPLER 1/4NPTM TO 3/8" BARB	1
28	800649	PART-475 COUPLER QD F TO 1/4" NPTF	1
29	800798	PART-243 NIPPLE LONG 1/4" NPT X 1.5"	1
30	800748	PART-373 TEE 1/4 NPT FEM BRASS	1
31	700614	B-6365-11 PLUG 1/4" NPT, BRASS	1
32	800823	PART-147 RED. NIPPLE 3/8NPT TO 1/4NPT	2
33	800780	PART-348 VALVE BRASS MINI 3/8 NPT,WEDGE	1
34	800660	PART-474 NIPPLE QD M TO 1/4" NPTM	1
35	800799	PART-244 ELBOW 90 DEG FEM X FEM 1/4" NPT	1
36	700122	GAUGE-1 PRESSURE GAUGE 2-1/2" 0-600PSI (BAR)	1
37	600007	B2X 2-STAGE DETACH. MID RANGE PUMP END	1
38	600063	212-170P CLAMP ASSEMBLY, ALU. PAINTED	1
39	600070*	C-7220 SPEED INCREASER ASSEMBLY, ALU. PAINTED	1

\*See exploded view of Drive Assembly Vertical





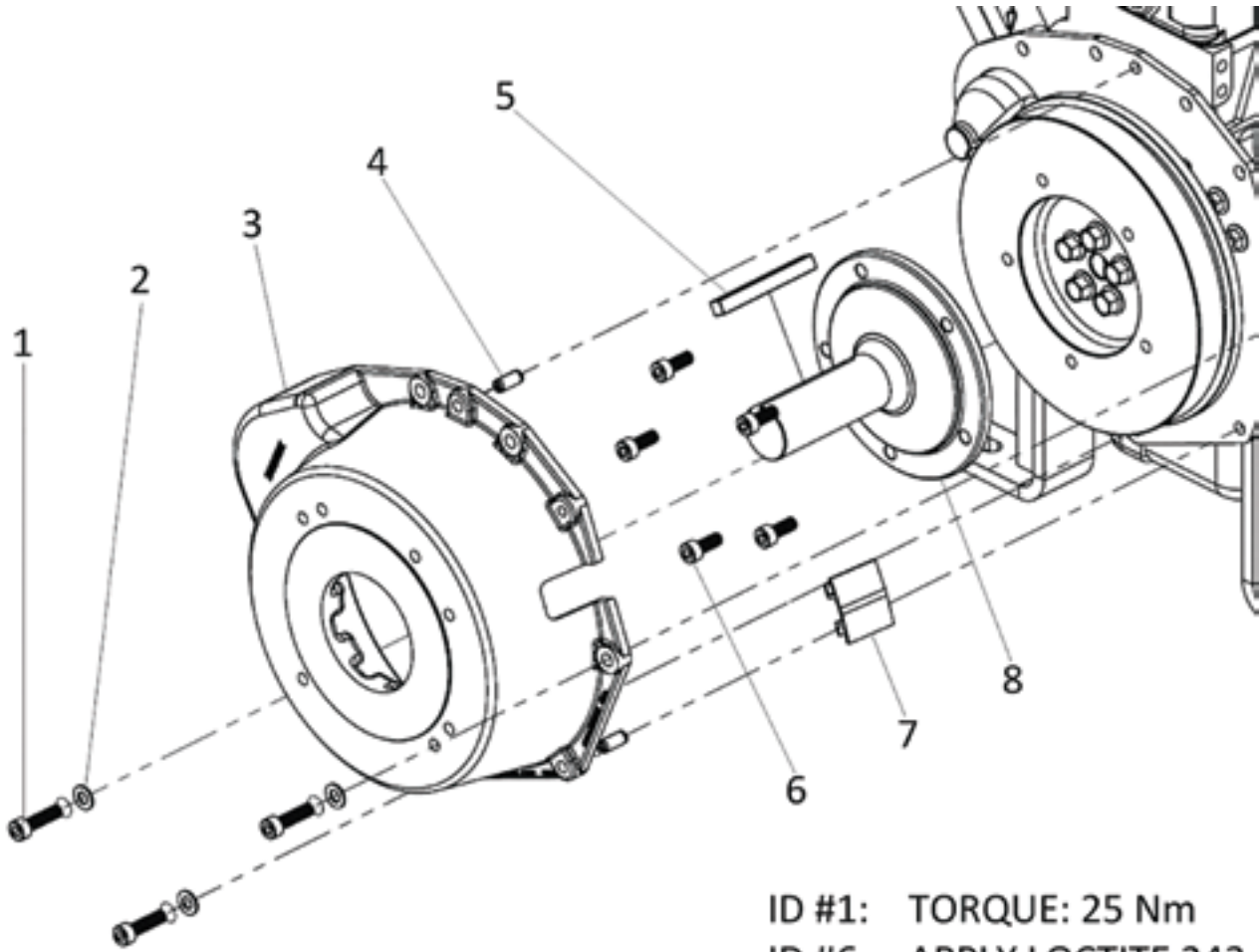


## B2X-18PXTC

ID	ITEM NO	DESCRIPTION	QTY
1	700122	GAUGE-1 PRESSURE GAUGE 2-1/2"0-600PSI (BAR)	1
2	700077	A-7242 HANDLE CAP FOR C-6890, BRONZE	1
3	600028	B-7241 MUFFLER HANDLE LEVER FOR C-6890, PLATED	1
4	800483	FAST-706 CLEVIS PIN 1/4" X 27/32" LG	2
5	800465	B-2428-8 COTTER PIN 3/32" X 1/2" LG, SS	2
6	800563	FAST-6 SCREW #10-24X3/8 PHILLIPS BINDING SS	1
7	800511	FAST-504 LOCKWASHER #10 SPRING SS	1
8	600113	A-7243 LEVER CLAMP FOR C-6890 MUFFLER, S.S.	1
9	800474	D-5269-7 WASHER 1/4 FLAT SS	2
10	800525	FAST-21 SCREW M6X1.0X25 HEX CAP ZINC	2
11	800433	PART-524 PLASTIC PLUG 0.375" HOLE, BK	2
12	800673	PART-454 VERNIER THROTTLE CABLE (3100)	1
13	800914	PART-378 SWITCH TOGGLE DPDT 20A ON-ON	1
14	800403	PART-525 PLUG, PLASTIC, LOCK, 1/2" HOLE, BLACK	2
15	800924	PART-472 PUSH BUTTON DPST 4P,(ON)-OFF	1
16	700051	A-7721 ENGINE MOUNT CTRL PANEL FRAME	1
17	600097	C-7590 MUFFLER FOR BB-4-23VG, PAINTED	1
18	700071	C-5370-11 WASHER 7/8"OD X 11/32"ID X 1/16"TH, S.S.	1
19	800548	R-119 LOCKWASHER M8 SPLIT ZINC	1
20	800520	R-414 SCREW M8X1.25X20 HEX CAP CADM	1
21	700028	A-4585 NOZZLE CONE FOR A-4583, BRASS	1
22	700019	A-4584 BODY EJECTOR FOR A-4585, BRASS	1
23	700635	C-6750-20 ADP 1/4" NPT M. TO 3/8" TUBE	1
24	800696	A-6751-5 SWIVEL 45DEGRES SAE	1
25	800833	PART-129 COUPLER 1/4NPTM TO 3/8"BARB	1
26	800649	PART-475 COUPLER QD F TO 1/4" NPTF	1
27	800798	PART-243 NIPPLE LONG 1/4" NPT X 1.5"	1
28	800748	PART-373 TEE 1/4 NPT FEM BRASS	1
29	800660	PART-474 NIPPLE QD M TO 1/4" NPTM	1
30	800799	PART-244 ELBOW 90 DEG FEM X FEM 1/4"NPT	1
31	800823	PART-147 RED. NIPPLE 3/8NPT TO 1/4NPT	2
32	800780	PART-348 VALVE BRASS MINI 3/8 NPT,WEDGE	1
33	700614	B-6365-11 PLUG 1/4" NPT, BRASS	1
34	700094	B-7591 BB-4 FRAME, USDAFS	1
35	800531	FAST-15 SCREW 5/16-18X1-3/4 HEX CAP ZINC	4
36	800513	FAST-501 LOCKWASHER 5/16 SPLIT ZINC	10
37	800523	FAST-352 NUT 5/16-18 HEX ZINC	4
38	600007	B2X 2-STAGE DETACH. MID RANGE PUMP END	1
39	600063	212-170P CLAMP ASSEMBLY, ALU. PAINTED	1
40	600070*	C-7220 SPEED INCREASER ASSEMBLY, ALU. PAINTED	1

\*See exploded view of Drive Assembly Vertical

## BB-4 / B2X-D902

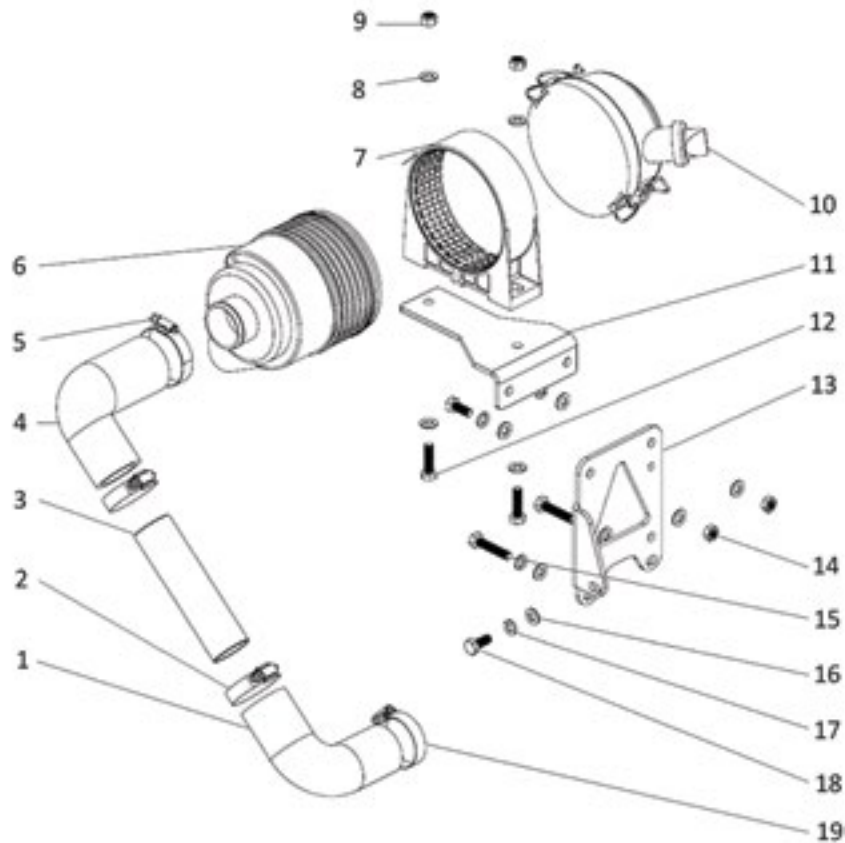


ID #1: TORQUE: 25 Nm  
 ID #6: APPLY LOCTITE 243  
 TORQUE: 35 Nm

## BB-4 / B2X-D902 STUB SHAFT AND ENGINE HOUSING

ID	ITEM NO	DESCRIPTION	QTY
1	--**	600572-2** SCREW M8 X 30 HEX SOCKET	3
2	--**	600572-1** FLAT WASHER M8	3
3	600572	BELL HOUSING K106 ALU SAE "A" PILOT, HARDWARE INCL	1
4	--**	600572-3** GUIDING PIN	2
5	600582	KEY 3/8" SQUARE X 3-1/4" LG, STEEL	1
6	--*	600571-1* SCREW M8 X 20 HEX SOCKET	5
7	--**	600572-4** PROTECTIVE COVER	1
8	600571	STUB SHAFT FORGED K106 1-7/16 X 5, HARDWARE INCL.	1

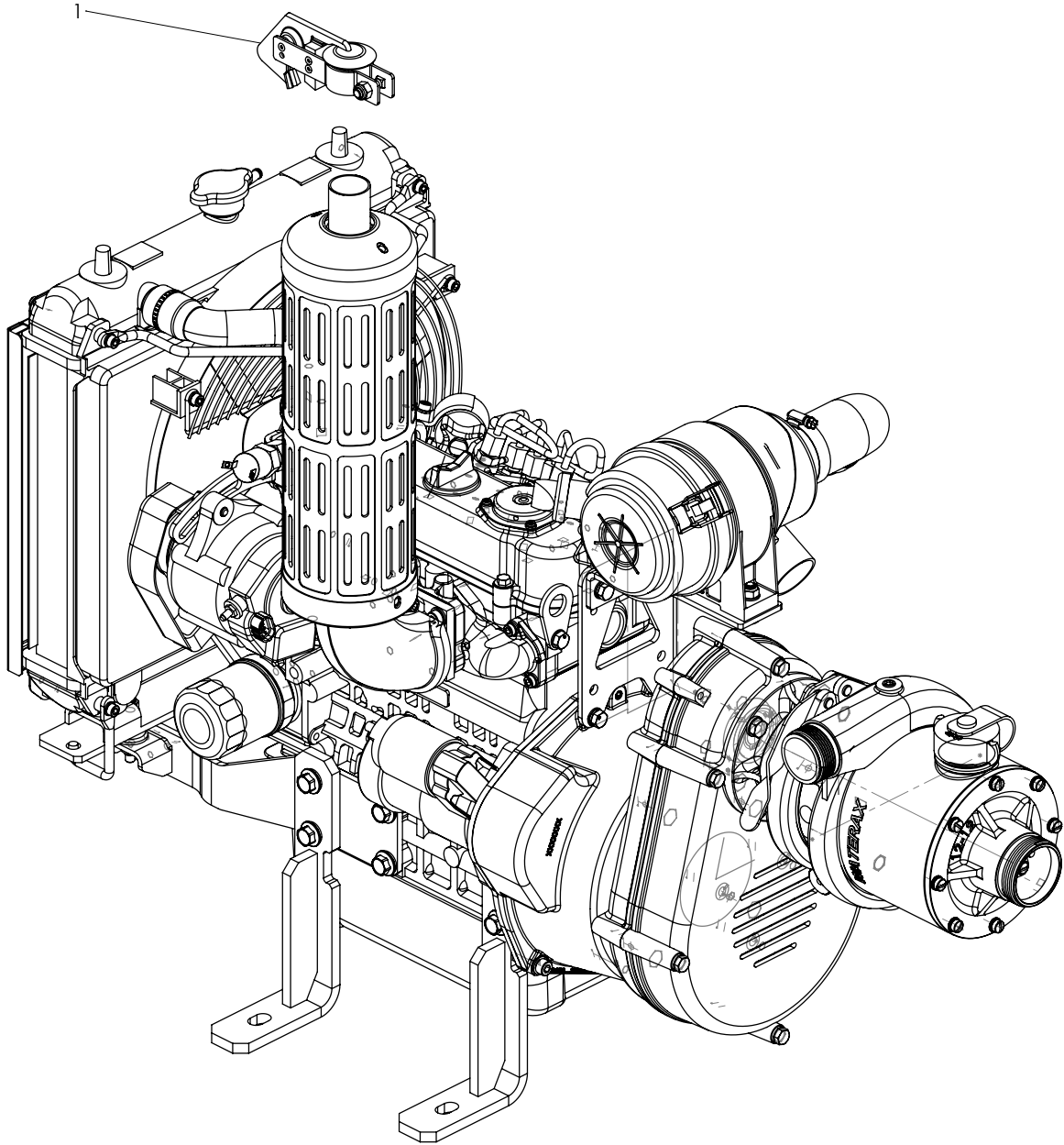
\* Parts come included in kit 600571  
 \*\* Parts come included in kit 600572



## ASSEMBLY OF BB-4 / B2X-D902 AIR FILTER

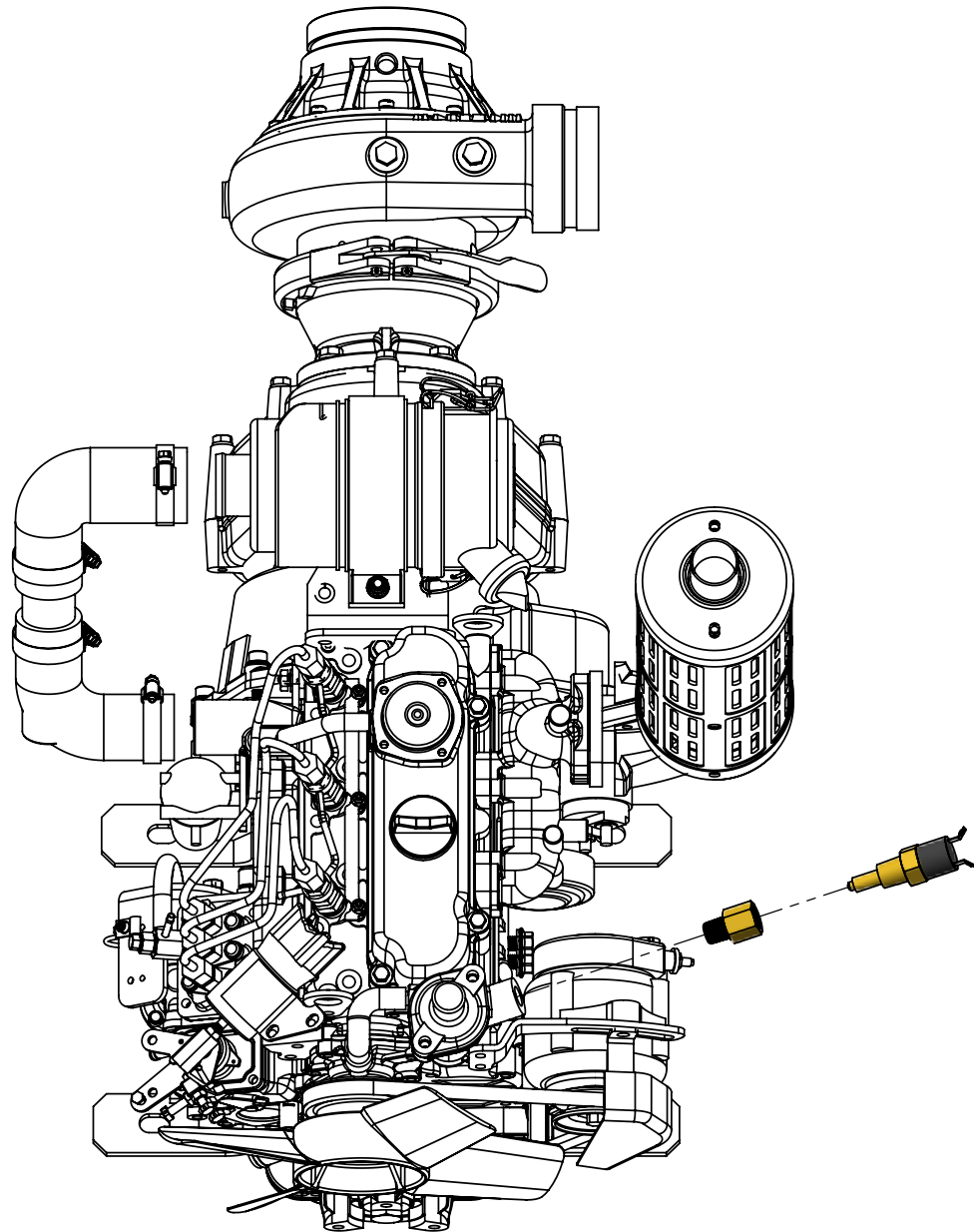
ID	ITEM NO	DESCRIPTION	QTY
1	--*	1G952-11621-1* HOSE, INLET	1
2	801225	HOSE CLAMP DOUBLE WIRE 2-1/2"	2
3	701211	SLEEVE 1-3/4"OD X .065"TH X 5.5"LG ALU	1
4	--*	1G952-11621-2* HOSE, INLET	1
5	--*	15221-11722* BAND, PIPE	1
6	--*	1G657-11011-2* ASSY CLEANER, AIR	1
7	--*	1G657-11011-1* ASSY CLEANER, AIR	1
8	--*	04015-50080* WASHER, PLAIN	4
9	--*	02156-50080* HEX, NUT	2
10	--*	1G657-11011-3* ASSY CLEANER, AIR	1
11	--*	1G659-11571* STAY, AIR CLEANER	1
12	--*	01123-50832* BOLT, SEMS	2
13	701210	BRACKET MAIN SUPPORT AIR CLEANER	1
14	800040	R-120 HEX NUT M8 X 1.25	2
15	801229	SCREW M8X1.25X40 HEX CAP ZINC	2
16	800539	R-206 WASHER M8 FLAT ZINC	7
17	800548	R-119 LOCKWASHER M8 SPLIT ZINC	5
18	800520	R-414 SCREW M8X1.25X20 HEX CAP CADM	3
19	--*	15261-11721* BAND, PIPE	1

\* Parts included in kit 801248 (air filter); Kubota D902 part nos. listed



## RAIN CAP FOR BB-4 / B2X-D902

ID	ITEM NO	DESCRIPTION	QTY
1	801256	RAIN CAP 1-1/4" TO 1-3/8"	1

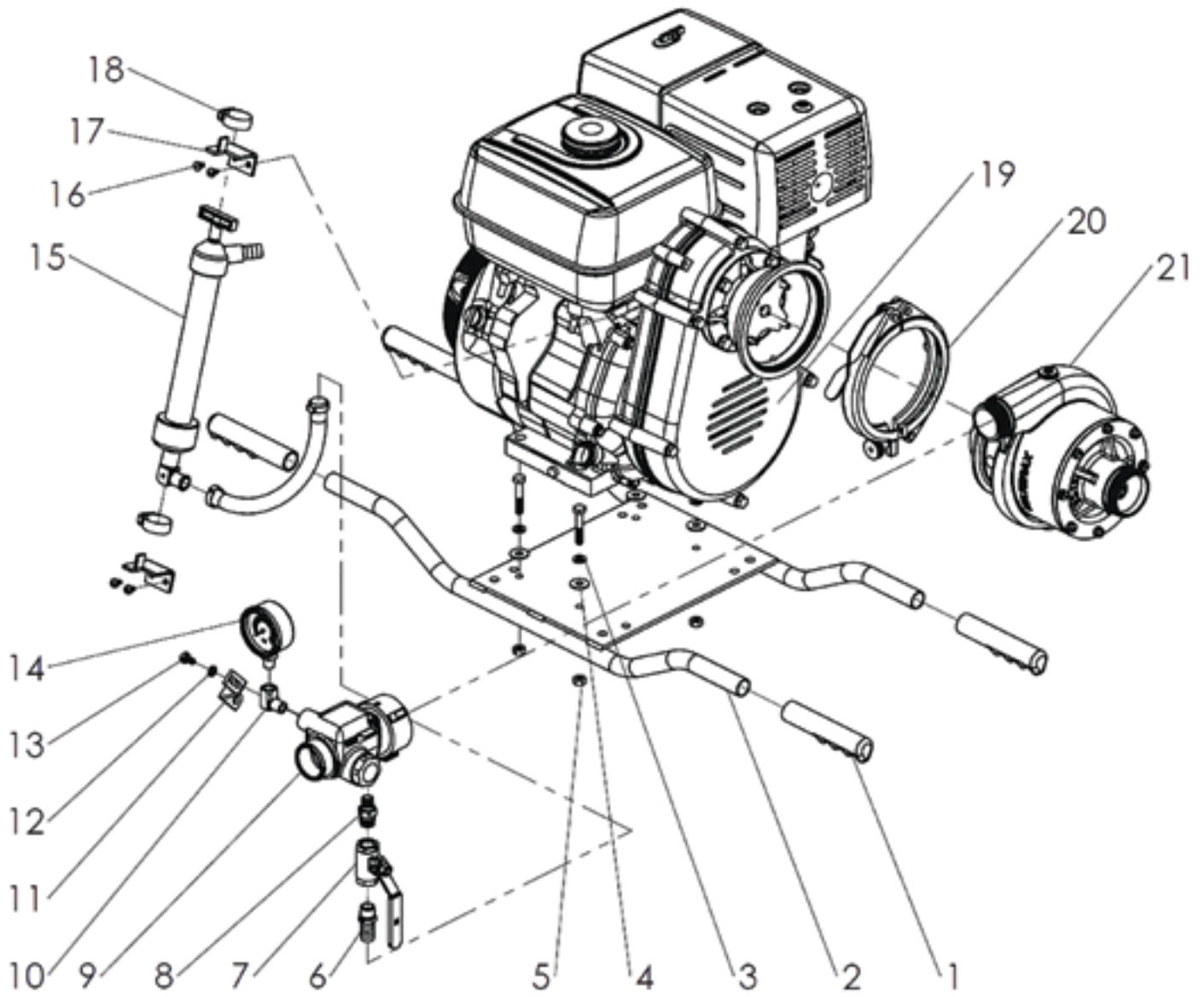


**ASSEMBLY OF BB-4 / B2X-D902 ENGINE HIGH TEMP SENDING UNIT**

ID	ITEM NO	DESCRIPTION	QTY
1	801232	TEMPERATURE SENDER & SWITCH 120 DEG	1
2	801252	ADAPTER BUSHING 3/8" FNPT TO 3/8" MBSPT HEX BRASS	1



# STRIKER

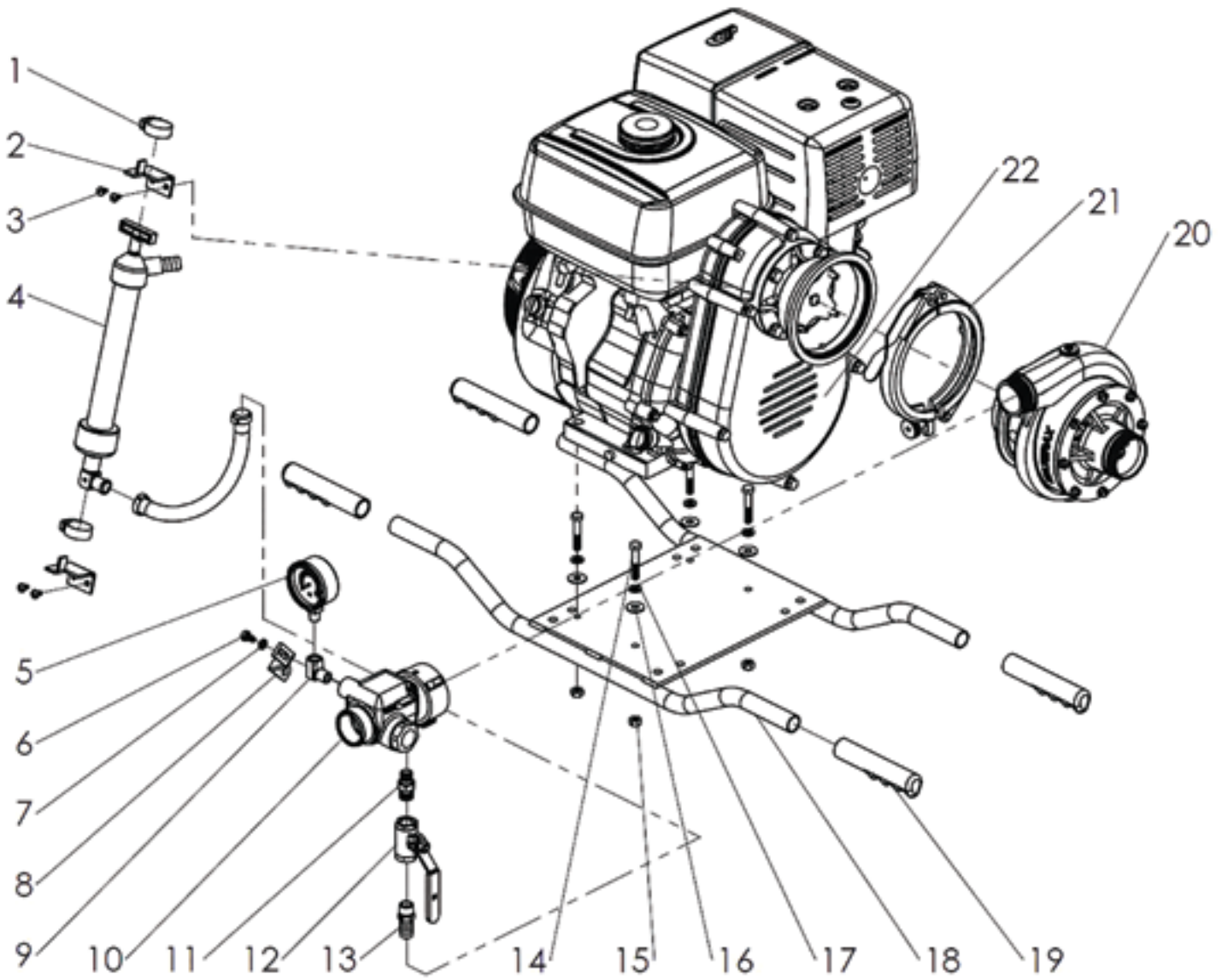




## STR3-13P

ID	ITEM NO	DESCRIPTION	QTY
1	800717	C-6650-15 BLACK RUBBER HANDLE 7/8" ID	4
2	700055	B-7272 FRAME ASSEMBLY WELDED	1
3	800513	FAST-501 LOCKWASHER 5/16 SPLIT ZINC	10
4	700071	C-5370-11 WASHER 7/8"OD X 11/32"ID X 1/16"TH, S.S.	4
5	800523	FAST-352 NUT 5/16-18 HEX ZINC	4
6	800861	PART-43 ADP 3/8"NPT X 5/8" HOSE	1
7	800831	PART-131 BALL VALVE 3/8", BRASS YELLOW	1
8	800823	PART-147 RED. NIPPLE 3/8NPT TO 1/4NPT	1
9	600428	B-6365 CHECK VALVE ASSEMBLY 1-1/2"NPSH	1
10	800719	C-4067-5 ELBOW 1/4 NPT M. TO FEM	1
11	600522	A-7127 BRACKET FOR CHECKVALVE, PAINTED STEEL	1
12	800360	12-38 LOCKWASHER 1/4 SPLIT SS	1
13	800532	FAST-14 SCREW 1/4-20X1/2 HEX CAP ZINC	1
14	700122	GAUGE-1 PRESSURE GAUGE 2-1/2"O-600PSI (BAR)	1
15	800829	ITT-33799-0000 HAND PUMP	1
16	800563	FAST-6 SCREW #10-24X3/8 PHILLIPS BINDING SS	4
17	600521	A-7276 HAND PUMP BRACKET, PAINTED STEEL	2
18	800839	PART-44 HOSE CLAMP 1.5", GEAR, S/S	2
19	600070*	C-7220 SPEED INCREASER ASSEMBLY, ALU. PAINTED	1
20	600063	212-170P CLAMP ASSEMBLY, ALU. PAINTED	1
21	600010	18-16S 3-STG HIGH PRESS PUMP END W/SEALED BEARING	1

\*See exploded view of Drive Assembly Vertical



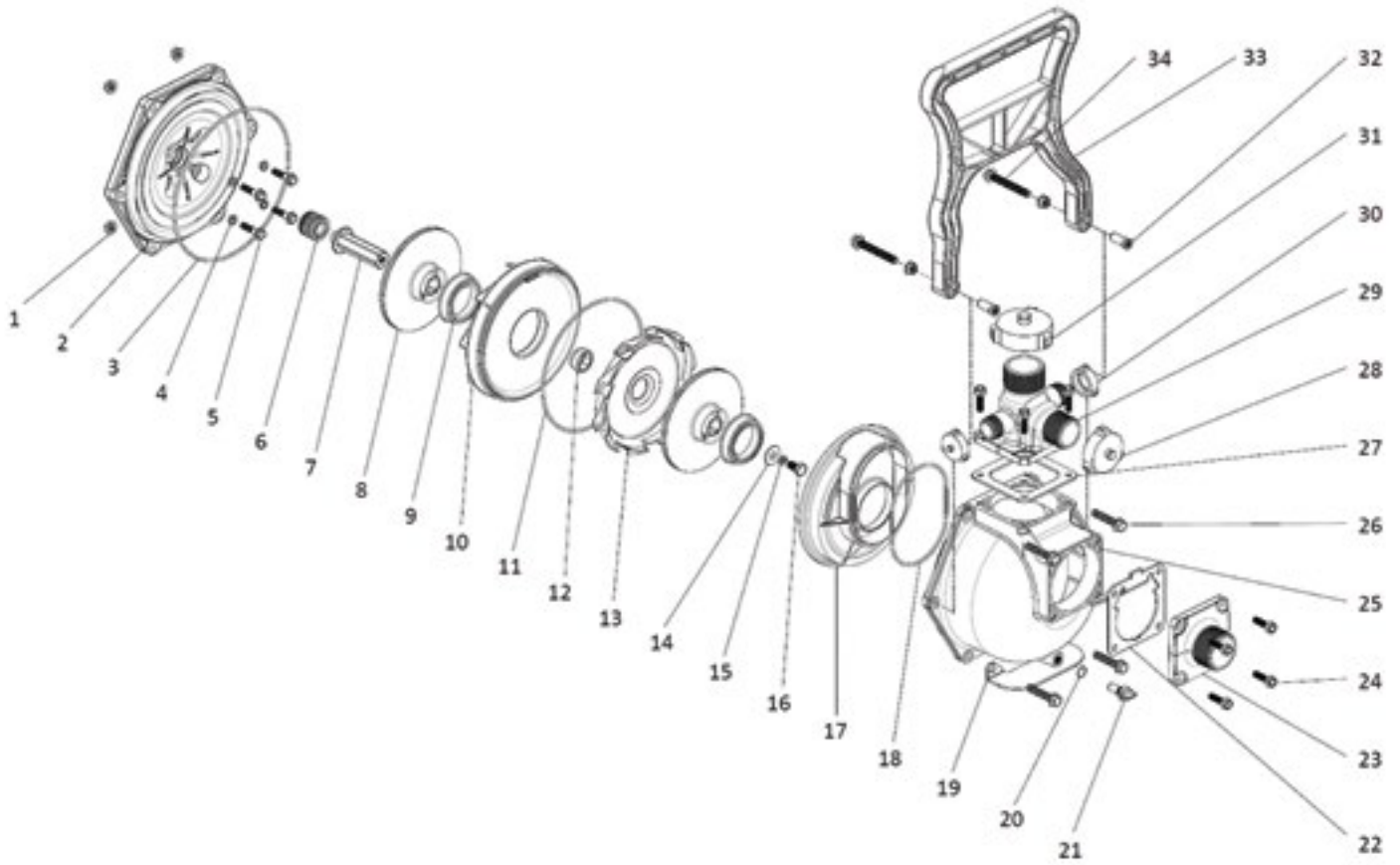


## STR2-13P

ID	ITEM NO	DESCRIPTION	QTY
1	800839	PART-44 HOSE CLAMP 1.5", GEAR, S/S	2
2	600521	A-7276 HAND PUMP BRACKET, PAINTED STEEL	2
3	800563	FAST-6 SCREW #10-24X3/8 PHILLIPS BINDING SS	4
4	800829	ITT-33799-0000 HAND PUMP	1
5	700122	GAUGE-1 PRESSURE GAUGE 2-1/2"O-600PSI (BAR)	1
6	800532	FAST-14 SCREW 1/4-20X1/2 HEX CAP ZINC	1
7	800360	12-38 LOCKWASHER 1/4 SPLIT SS	10
8	600522	A-7127 BRACKET FOR CHECKVALVE, PAINTED STEEL	1
9	800719	C-4067-5 ELBOW 1/4 NPT M. TO FEM	1
10	600428	B-6365 CHECK VALVE ASSEMBLY 1-1/2"NPSH	1
11	800823	PART-147 RED. NIPPLE 3/8NPT TO 1/4NPT	1
12	800831	PART-131 BALL VALVE 3/8", BRASS YELLOW	1
13	800861	PART-43 ADP 3/8"NPT X 5/8" HOSE	1
14	800531	FAST-15 SCREW 5/16-18X1-3/4 HEX CAP ZINC	4
15	800523	FAST-352 NUT 5/16-18 HEX ZINC	4
16	700071	C-5370-11 WASHER 7/8"OD X 11/32"ID X 1/16"TH, S.S.	4
17	800513	FAST-501 LOCKWASHER 5/16 SPLIT ZINC	10
18	700055	B-7272 FRAME ASSEMBLY WELDED	1
19	800717	C-6650-15 BLACK RUBBER HANDLE 7/8" ID	4
20	600003	25-16S 2-STG HIGH PRESS PUMP END W/SEALED BEARING	1
21	600063	212-170P CLAMP ASSEMBLY, ALU. PAINTED	1
22	600070*	C-7220 SPEED INCREASER ASSEMBLY, ALU. PAINTED	1

\*See exploded view of Drive Assembly Vertical

# VERSAX



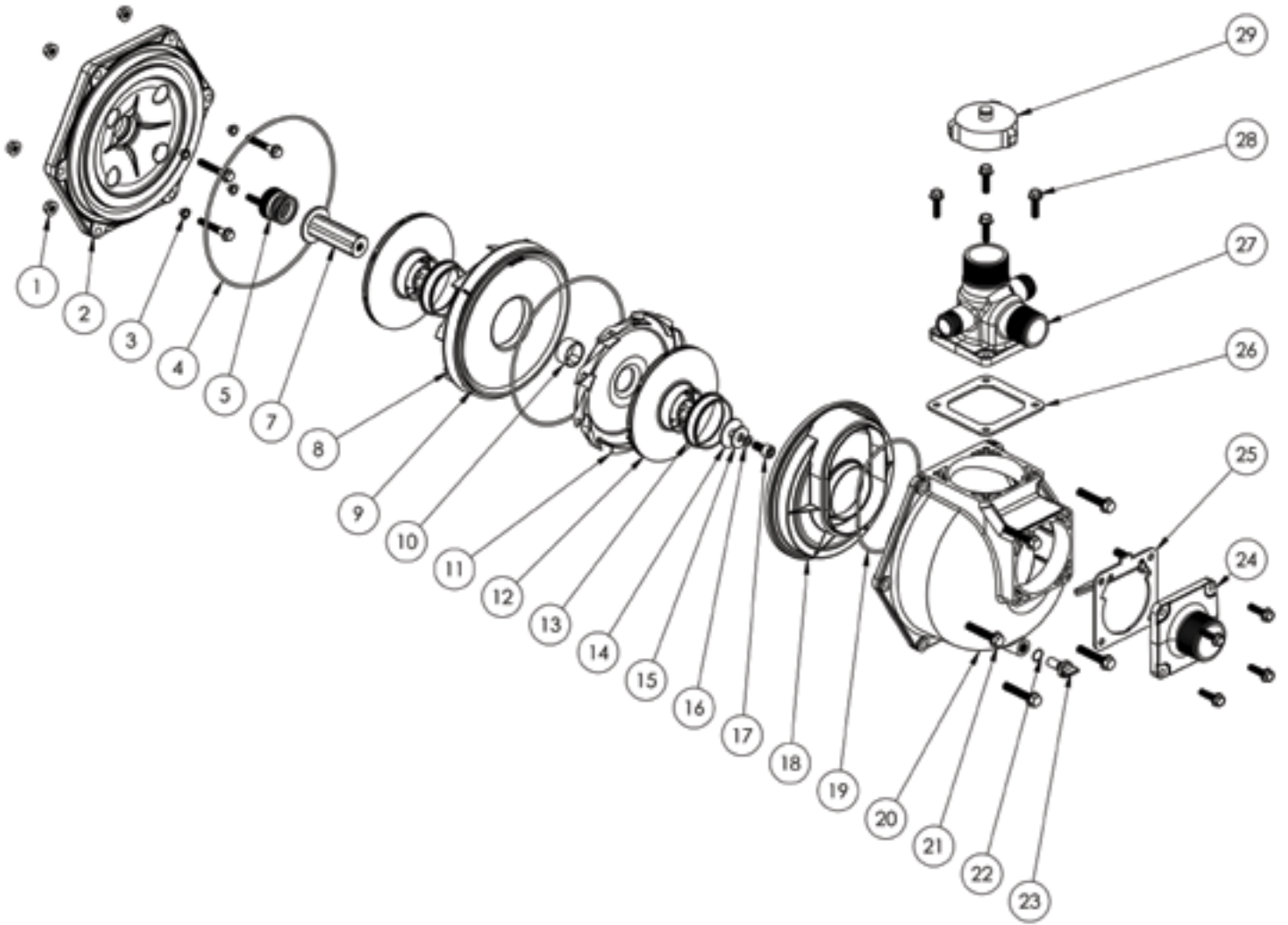




## VS2-6P PUMP-END

ID	ITEM NO	DESCRIPTION	QTY
1	800208	VSC124 NUT CASING VERSAX	6
2	800216	VSC130 YOKE 3/4" SHAFT VERSAX	1
3	800221	VSC121 O-RING CASING VERSAX	1
4	800228	VSC123 SEAL FOR BOLT VERSAX	4
5	800217	VSC133 BOLT 5/16" X 1-1/4" VERSAX	4
6	800213	VSC129 SEAL - MECHANICAL 3/4"	1
7	800215	VSC128 STUB SHAFT 5/8" VERSAX	1
8	800226	VSC132 IMPELLER SHAFT 5/8" VERSAX	2
9	800229	VSC131 WEAR RING 3/4" SHAFT VERSAX	2
10	800194	VSC114 DIFFUSER - 2ND STAGE VERSAX	1
11	800198	VSC113 O-RING DIFFUSER - INTERS VERSAX	1
12	800214	VSC127 SPACER SLEEVE 5/8&3/4SHA VERSAX	1
13	800190	VSC112 DIFFUSER - INTERSTAGE VERSAX	1
14	800189	VSC111 WASHER M10X30 VERSAX	1
15	800220	VSC120 WASHER (SPRING)-IMPELLER VERSAX	1
16	800207	VSC110 SCREW - IMPELLER VERSAX	1
17	800222	VSC109 SUCTION COVER VERSAX	1
18	800187	VSC119 O-RING SUCTION COVER VERSAX	1
19	701162*	SUPPORT BRACKET PUMP END VERSAX	1
20	800227	VSC122 O-RING FOR DRAIN PLUG VERSAX	1
21	800195	VSC117 PLUG 1/4" DRAIN VERSAX	1
22	800191	VSC116 GASKET - CLACKER ASSY VERSAX	1
23	800199	VSC115 FLANGE - SUCTION 2"NPT VERSAX	1
24	800211	VSC126 SCREW M8 VERSAX	8
25	800192	VSC118 CASING VERSAX	1
26	800201	VSC125 BOLT - CASING VERSAX	4
27	800224	VSC107 GASKET - DISCHARGE VERSAX	1
28	300512*	ADP-A-C15S-NC 1.5 NPSH CAP W/O CHAIN	1
29	800230	VSC108 FLANGE - DISCHARGE VERSAX	1
30	300762*	ADP-A-C10S-NC 1 NPSH CAP W/O CHAIN	2
31	300761	ADP-A-C20BSP-NC 2 BSPP CAP W/O CHAIN	1
32	800209*	VSC105 NUT-BUSH 3/8" FOR HANDLE VERSAX	2
33	800223*	VSC103 HANDLE VERSAX	1
34	800202*	VSC104 BOLT-CASING FOR HANDLE VERSAX	2

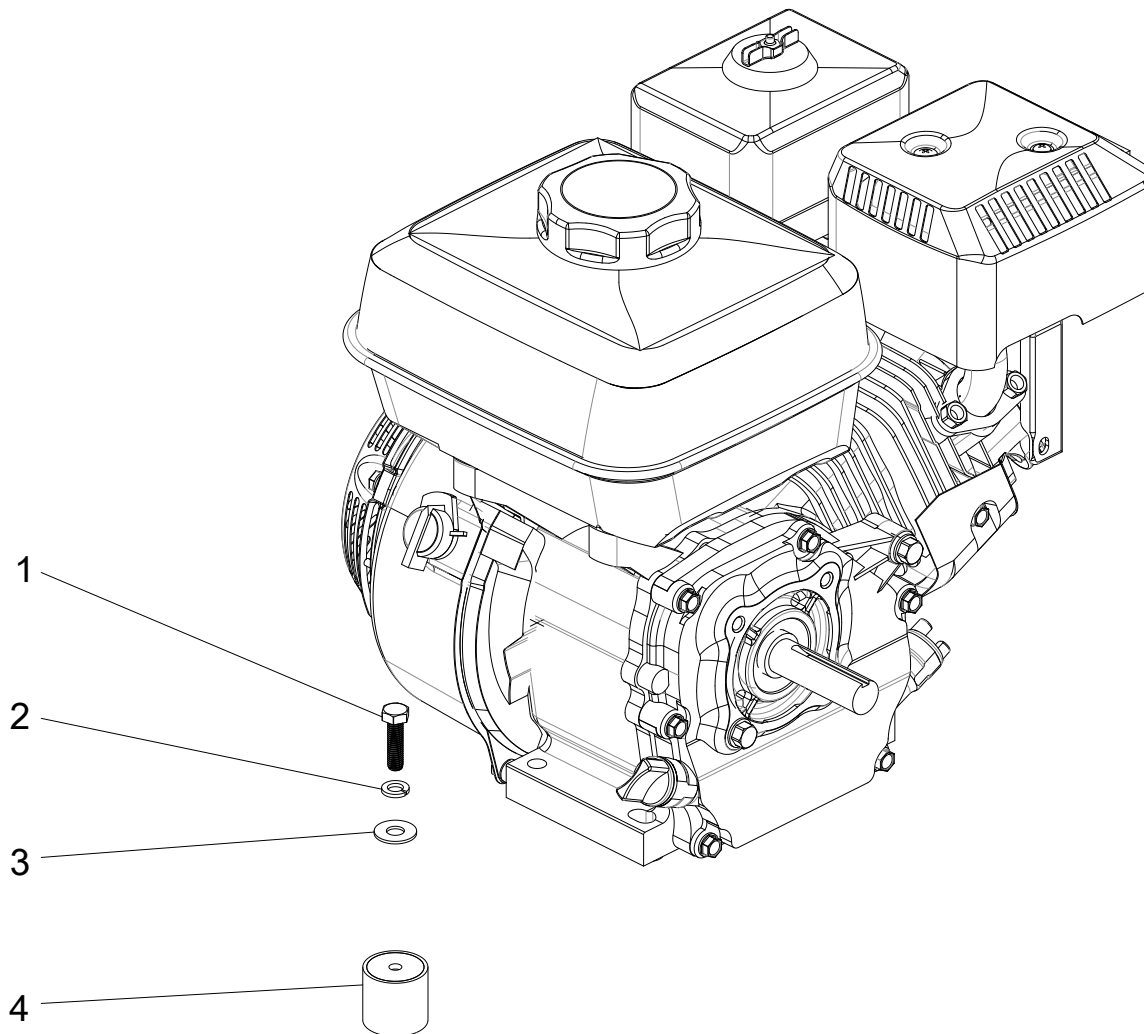
\* Not included on vehicle mount configuration.





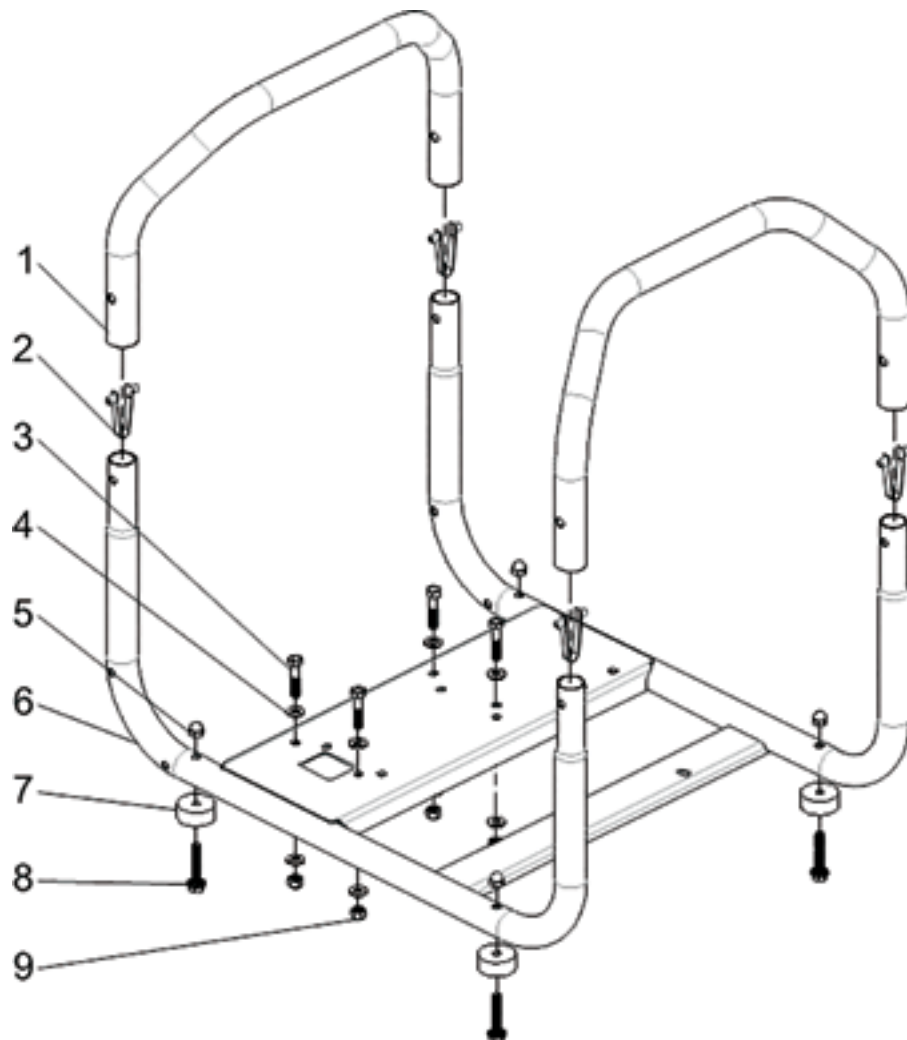
## VS2-9EV PUMP-END

ID	ITEM NO	DESCRIPTION	QTY
1	800208	VSC124 NUT CASING VERSAX	6
2	800196	VSC138 YOKE SHAFT 1" VERSAX	1
3	800221	VSC121 O-RING CASING VERSAX	1
4	800228	VSC123 SEAL FOR BOLT VERSAX	4
5	800219	VSC141 BOLT 5/16" X 2" LONG VERSAX	4
6	800200	VSC137 SEAL - MECHANICAL 1" VERSAX	1
7	800193	VSC136 STUB SHAFT 1" VERSAX	1
8	800218	VSC140 IMPELLER SHAFT 1" VERSAX	2
9	800197	VSC139 WEAR RING SHAFT1" VERSAX	2
10	800194	VSC114 DIFFUSER - 2ND STAGE VERSAX	1
11	800198	VSC113 O-RING DIFFUSER - INTERS VERSAX	1
12	800188	VSC135 SPACER SLEEVE 1" SHAFT VERSAX	1
13	800190	VSC112 DIFFUSER - INTERSTAGE VERSAX	1
14	800206	VSC134 WASHER IMPELLER M10X40 VERSAX	1
15	800189	VSC111 WASHER M10X30 VERSAX	1
16	800220	VSC120 WASHER (SPRING)-IMPELLER VERSAX	1
17	800207	VSC110 SCREW - IMPELLER VERSAX	1
18	800222	VSC109 SUCTION COVER VERSAX	1
19	800187	VSC119 O-RING SUCTION COVER VERSAX	1
20	800192	VSC118 CASING VERSAX	1
21	800201	VSC125 BOLT - CASING VERSAX	6
22	800227	VSC122 O-RING FOR DRAIN PLUG VERSAX	1
23	800195	VSC117 PLUG 1/4" DRAIN VERSAX	1
24	800199	VSC115 FLANGE - SUCTION 2"NPT VERSAX	1
25	800191	VSC116 GASKET - CLACKER ASSY VERSAX	1
26	800224	VSC107 GASKET - DISCHARGE VERSAX	1
27	800230	VSC108 FLANGE - DISCHARGE VERSAX	1
28	800211	VSC126 SCREW M8 VERSAX	8
29	300761	ADP-A-C20BSP-NC 2 BSPP CAP W/O CHAIN, ALUM	1



## VIBRATION MOUNTS

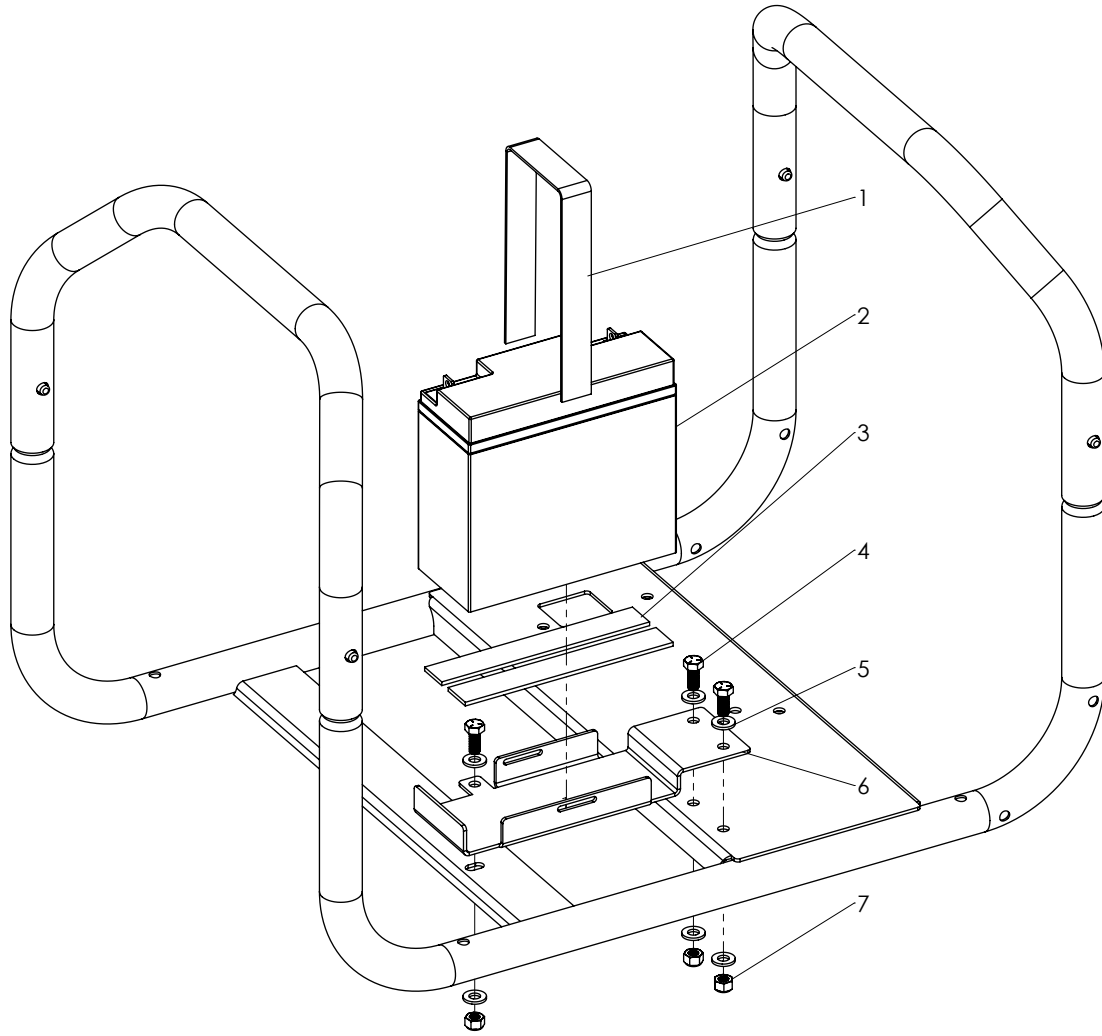
ID	ITEM NO	DESCRIPTION	QTY
1	801145	SCREW M8X1.25X30 HEX CAP ZINC	2
2	800548	R-119 LOCWASHER M8 SPLIT ZINC	2
3	800539	R-206 WASHER M8 FLAT ZINC	2
4	701195	ANTI-VIBRATION MOUNT 30MM X 30MM M8 FEM THREAD	2



## FRAME KIT

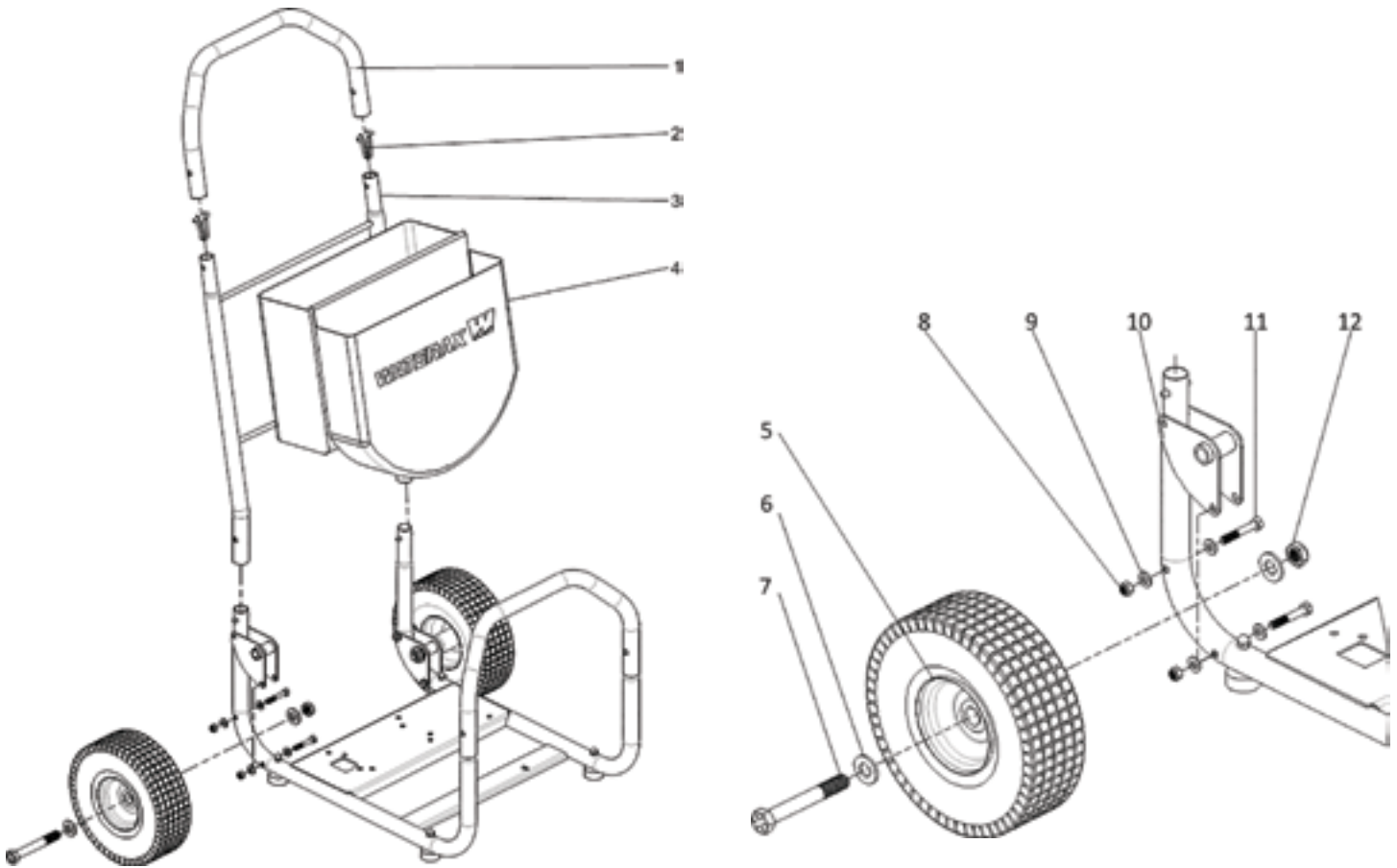
ID	ITEM NO	DESCRIPTION	QTY
1	701301	FRAME HANDLE VERSAX	2
2	801288	QUICK-RELEASE BUTTON FOR TUBING	4
3	801282	SCREW 5/16-18X1-1/2 HEX CAP ZINC	4
4	800477	A-7586-2 WASHER 5/16 FLAT ZINC	8
5	801287	NUT 5/16-18 ACORN ZINC	4
6	701297	FRAME BASE ASSEMBLY VERSAX	1
7	800420	C-6650-10 RUBBER MOUNT	4
8	801286	SCREW 5/16-18X1-3/4 HEX FLANGE ZINC	4
9	801285	NUT 5/16-18 HEX NYLON LOCK ZINC	4





## BATTERY SYSTEM (VS2-9EW ONLY)

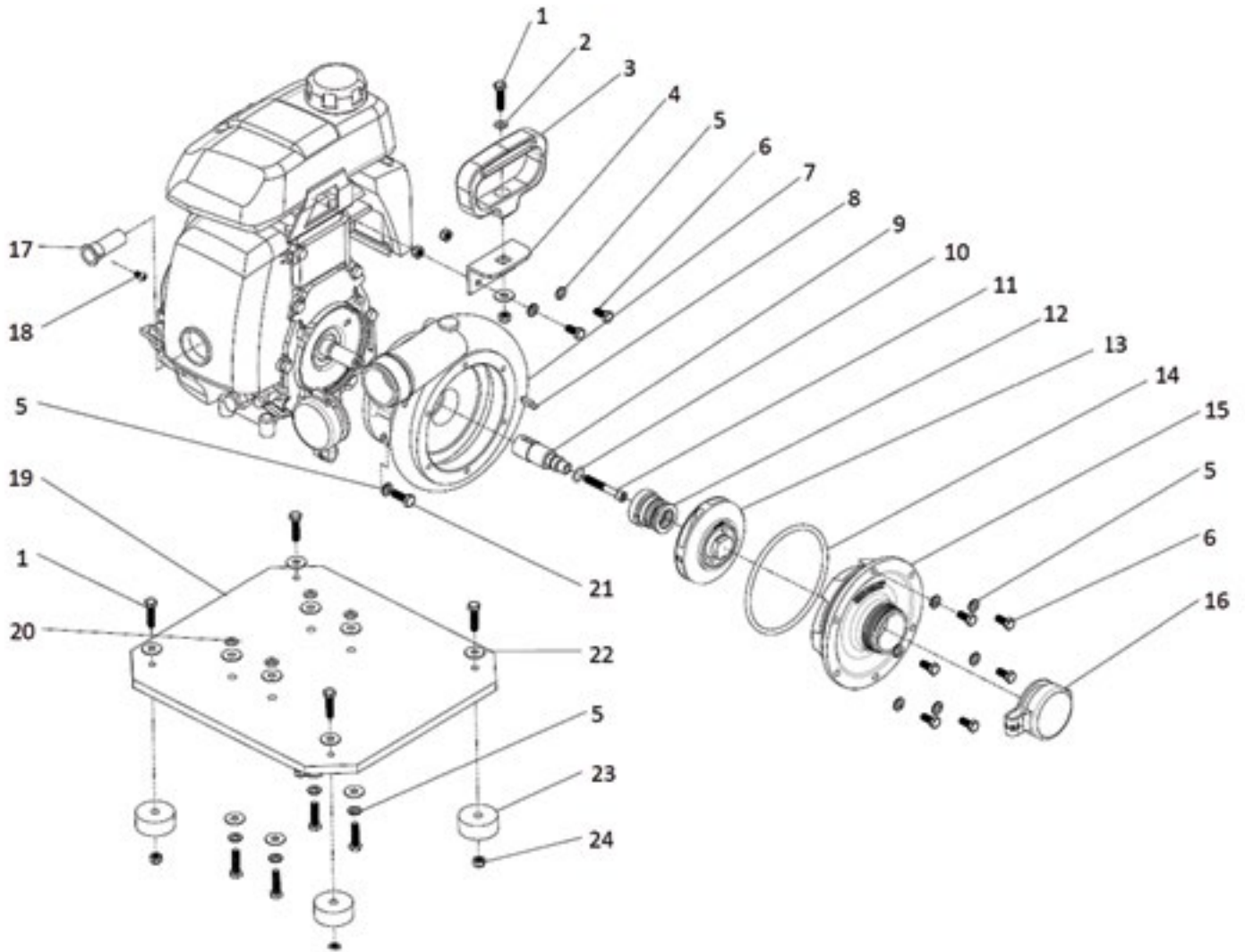
ID	ITEM NO	DESCRIPTION	QTY
1	701308	BATTERY STRAP VERSAX	1
2	700673	PART-764 VRLA SEALED BATTERY 12V 20AH	1
3	800860	QADHNEO1X1/8 SELF-ADHESIVE STRIP	1.2
4	801280	SCREW 5/16-18X3/4 HEX CAP ZINC	3
5	800477	A-7586-2 WASHER 5/16 FLAT ZINC	6
6	701299	BATTERY BRACKET VERSAX	1
7	801285	NUT 5/16-18 HEX NYLON LOCK ZINC	3
--	800921	PART-456 BATTERY BOOTS 8-2GA RED	2
--	700026	RK-1733 PROTECTOR CAP	1



## CART KIT

ID	ITEM NO	DESCRIPTION	QTY
1	701301	FRAME HANDLE VERSAX	--
2	801288	QUICK-RELEASE BUTTON FOR TUBING	2
3	701300	FRAME EXTENSION ASSEMBLY VERSAX	1
4	701306	EQUIPMENT POUCH VERSAX	1
5	801290	WHEEL 10" FLAT FREE 16MMX50MM HUB	2
6	801279	WASHER 5/8 FLAT ZINC	4
7	801283	SCREW 5/8-11X4-3/4 HEX CAP ZINC	2
8	801285	NUT 5/16-18 HEX NYLON LOCK ZINC	4
9	800477	A-7586-2 WASHER 5/16 FLAT ZINC	8
10	701298	FRAME WHEEL BRACKET ASSEMBLY VERSAX	2
11	801281	SCREW 5/16-18X2 HEX CAP ZINC	4
12	801284	NUT 5/8-11 HEX THIN NYLON LOCK ZINC	2

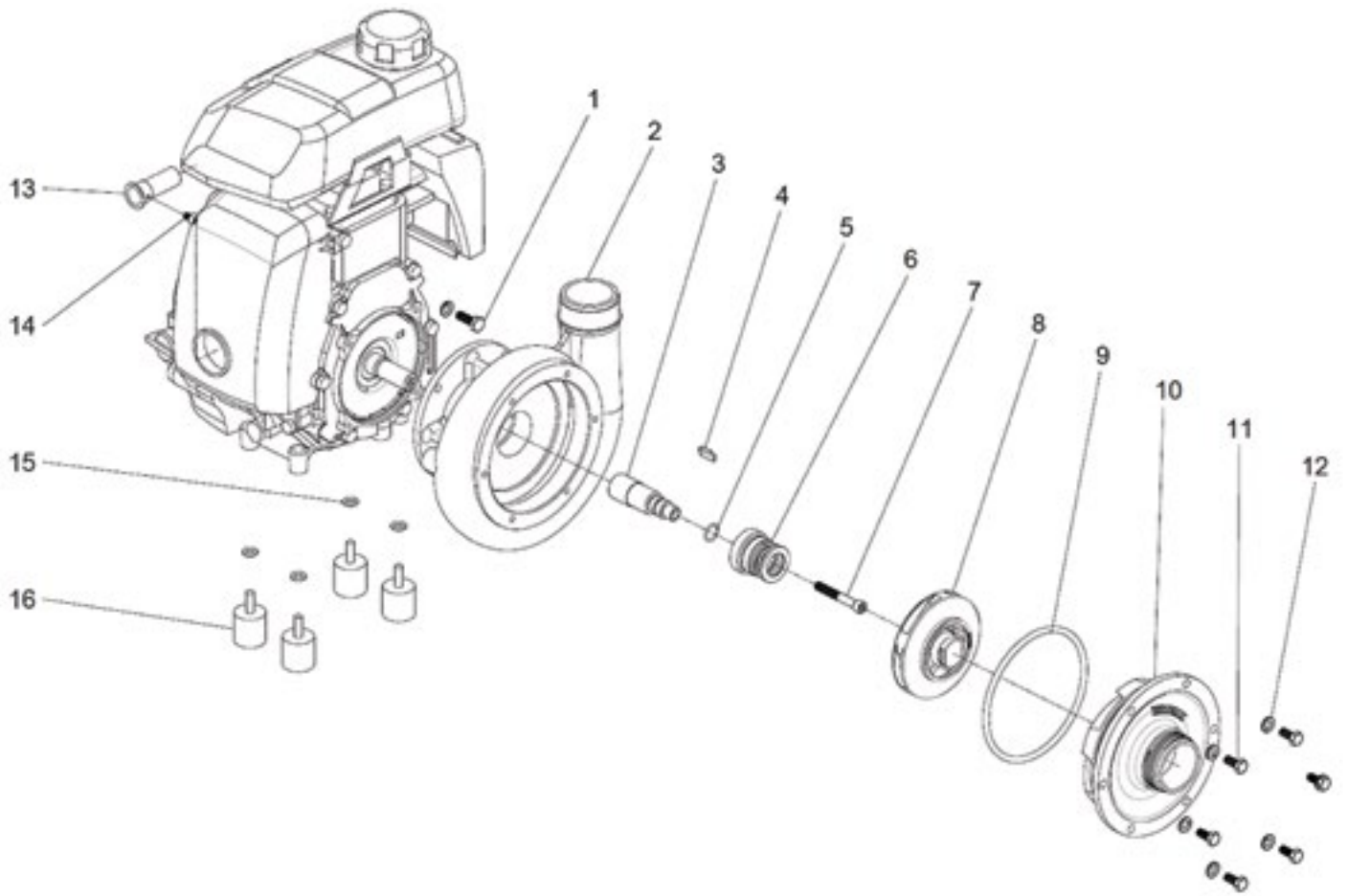
# MINI-STRIKER





## MSTR-P

ID	ITEM NO	DESCRIPTION	QTY
1	800525	FAST-21 SCREW M6X1.0X25 HEX CAP ZINC	9
2	800549	FAST-510 WASHER M6 FLAT ZINC	1
3	600140	A-7441 PLASTIC HANDLE MACHINED MINI-STRIKE	1
4	600148	A-7434 STEEL BRACKET FOR MINI-STRIKER	1
5	800360	12-38 LOCKWASHER 1/4 SPLIT SS	16
6	800529	FAST-18 SCREW M6X1.0X14 HEX CAP ZINC	8
7	600062	B-7438 PUMP BODY MINI-STRIKER, ALU ANODIZE	1
8	600141	A-7437 KEY 3/16 SQUARE FOR MINI-STRIKER, S.S.	1
9	700081	A-7436 PUMP SHAFT FOR MINI-STRIKER, S.S.	1
10	700475	COR-8-013 O-RING #013 NITRILE	1
11	800516	FAST-44 SCREW 1/4-28X1-3/4 HEX SOCKET SS	1
12	700002	C-6970-5 STEEL TYPE 21 CUP SEAT	1
13	700045	B-6977 IMPELLER FOR MINI-STRIKER	1
14	800450	12-26 O-RING	1
15	600034	B-6974 SUCTION COVER MINI-STRIKER	1
16	700023	A-5536 PROTECTIVE CAP FOR 1-1/2" DISCHA	2
17	800178	HONDA-18350-ZM7-801 SPARK ARRESTER MINI-STRIKER	1
18	800185	HONDA-93903-24110 SCREW SPARK ARRESTR MINI-STRI	1
19	700082	A-7435 MOUNTING BOARD FOR MINI-STRIKER	1
20	800522	FAST-516 WASHER M6 FLAT NYLON	4
21	800515	FAST-46 1/4-28X3/4 HEX CAP SS	4
22	800543	R-151 WASHER 1/4 FLAT ZINC	13
23	800420	C-6650-10 RUBBER MOUNT	4
24	800544	R-150 NUT M6X1.0 HEX FUJI LOCK ZINC	7





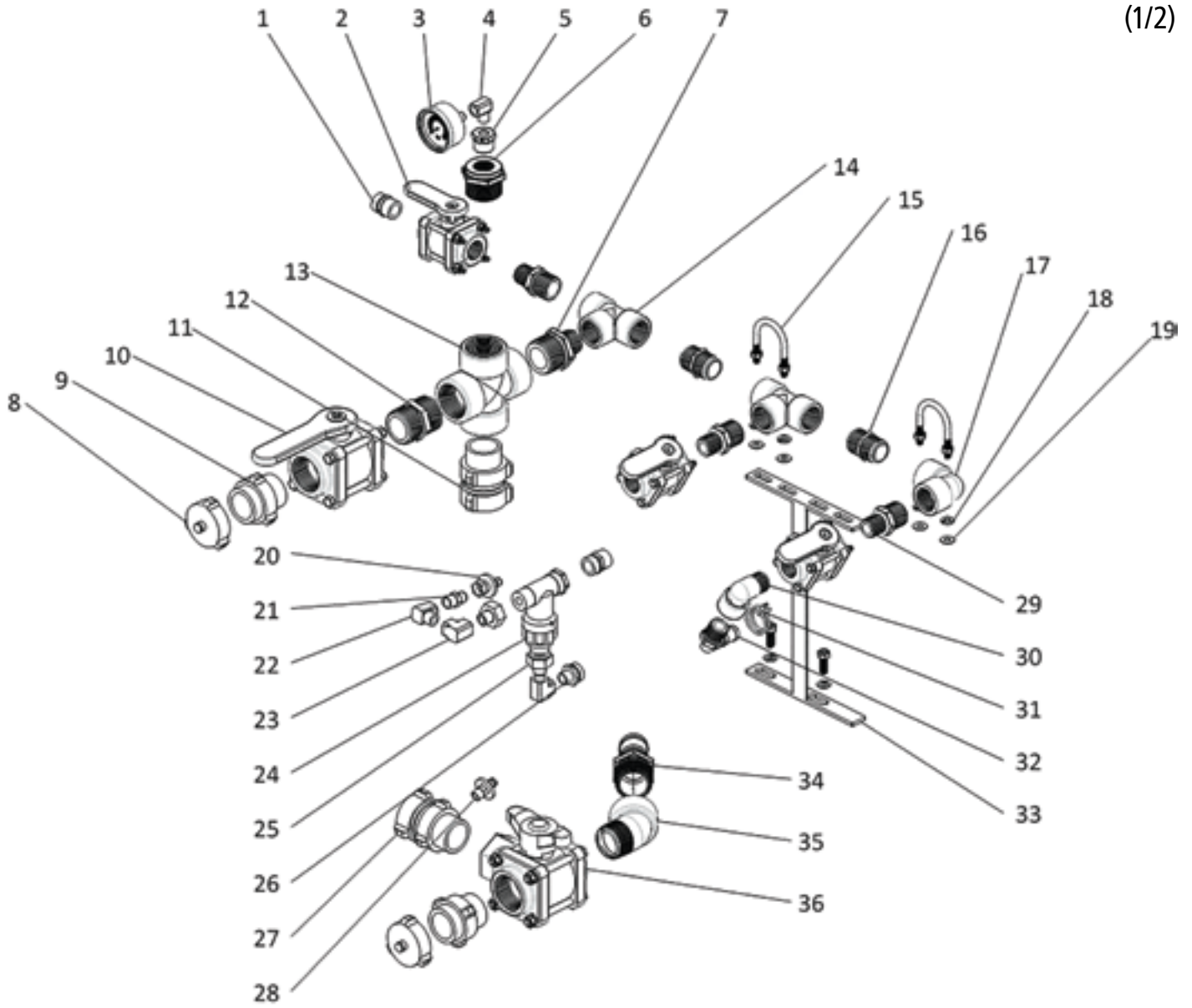


## MSTR-V

ID	ITEM NO	DESCRIPTION	QTY
1	800515	FAST-46 1/4-28X3/4 HEX CAP SS	4
2	600062	B-7438 PUMP BODY MINI-STRIKER, ALU. ANODIZED	1
3	700081	A-7436 PUMP SHAFT FOR MINI-STRIKER, S.S.	1
4	600141	A-7437 KEY 3/16 SQUARE FOR MINI-STRIKER, S.S.	1
5	700475	COR-8-013 O-RING #013 NITRILE	1
6	700002	C-6970-5 STEEL TYPE 21 CUP SEAT	1
7	800516	FAST-44 SCREW 1/4-28X1-3/4 HEX SOCKET SS	1
8	700045	B-6977 IMPELLER FOR MINI-STRIKER	1
9	800450	12-26 O-RING #243, NITRILE, 70 DURO	1
10	600034	B-6974 SUCTION COVER MINI-STRIKER, ALU. ANODIZED	1
11	800529	FAST-18 SCREW M6X1.0X14 HEX CAP ZINC	6
12	800360	12-38 LOCKWASHER 1/4 SPLIT SS	10
13	800178	HONDA-18350-ZM7-801 SPARK ARRESTER MINI-STRIKER	1
14	800185	HONDA-93903-24110 SCREW SPARK ARRESTER MINI-STRI	1
15	800522	FAST-516 WASHER M6 FLAT NYLON	4
16	800752	PART-310 ANTI-VIBRATION MOUNTS RNCH	4

# RANCHER

(1/2)





ID	ITEM NO	DESCRIPTION	QTY
1	800791	PART-213 ADAP 3/4GHTM TO 3/4NPTM,BRASS	2
2	800738	BAJ-V075 VALVE 3/4 NPT FEMALE,PLASTIC	3
3	700148	PART-309 PRESSURE GAUGE 2-1/2" 0-160PSI	1
4	800719	C-4067-5 ELBOW 1/4 NPT M. TO FEM	1
5	800809	PART-264 REDUCER BUSHING 3/4"-1/4"BRASS	1
6	800731	BAJ-RB150-075 REDUCER BUSHING 1.5"MPT*3/4FPT	1
7	800729	BAJ-RN150-100 RED. NIPPLE 1 1/2 TO 1 NPT MALE	1
8	300525*	ADP-A-C15N HOSE CAP 1 1/2 NH	2
9	300563*	ADP-A-DM15PN 1.5 NPT M X 1.5 NST M ALUM	2
10	800723	BAJ-V150 VALVE 1 1/2 NPT FEMALE,PLASTIC	1
11	300508	ADP-A-FSM15S 1.5 NPSH FEM SWIV X 1.5 NPT MALE ALU	1
12	800733	BAJ-NIP150-SH SHORT NIPPLE 1 1/2" NPT MALE	2
13	800689	BAJ-CR150 CROSS 1 1/2" NPT FEMALE	1
14	800727	BAJ-TEE100 TEE 1" NPT FEMALE	2
15	800557	FAST-523 U-BOLT 5/16-18X1-3/4 SS	2
16	800734	BAJ-NIP100-SH SHORT NIPPLE 1" NPT MALE	2
17	800724	BAJ-EL100-90 ELBOW 90 DEG. 1" NPT FEMALE	1
18	800512	FAST-502 LOCKWASHER 3/8 SPLIT ZINC	10
19	800477	A-7586-2 WASHER 5/16 FLAT ZINC	4
20	700635	C-6750-20 ADP 1/4" NPT M. TO 3/8" TUBE	1
21	800826	PART-39 ADP. 3/8" M. NPT TO TUBE	1
22	800830	PART-133 ELBOW 90 DEG. 3/8NPT FEM TO M	1
23	800821	PART-149 ELBOW 90 DEG. 3/8 NPT FEM	2
24	301068	FOAM PROPORTIONNER , HEX.RIGHT 30 GPM	1
25	800822	PART-148 ADP. 3/8NPTM TO GHT FEM SWIVEL	2
26	800820	PART-166 COUPLER GHT M. TO 3/8NPT M.	1
27	600343	A-7555 ADP 1-1/2" NPT M TO NPSH FS - MAC	1
28	800833	PART-129 COUPLER 1/4NPTM TO 3/8"BARB	1
29	800730	BAJ-RN100-075 RED. NIPPLE 1 TO 3/4 MNPT	3
30	800728	BAJ-SL075-90 90 DEG STREET ELBOW 3/4"	1
31	800808	PART-259 WIRE HOSE CLAMP, 1.25"X.110"ZC	2
32	800701	BAJ-HB075-90 90 DEG. ADAP. 3/4 M. TO 3/4 B	2
33	700203	A-7624 BRACKET FOR RANCHER,2012	1
34	800736	BAJ-HB150 ADAP. 1 1/2 NPTM TO 1 1/2 BARB	1
35	800787	BAJ-SL150-45 45 DEG STREET ELBOW 1 1/2	1
36	800722	BAJ-V150SL VALVE 3-WAY, 1 1/2 NPT FEMALE	1

\* Available in NPSH





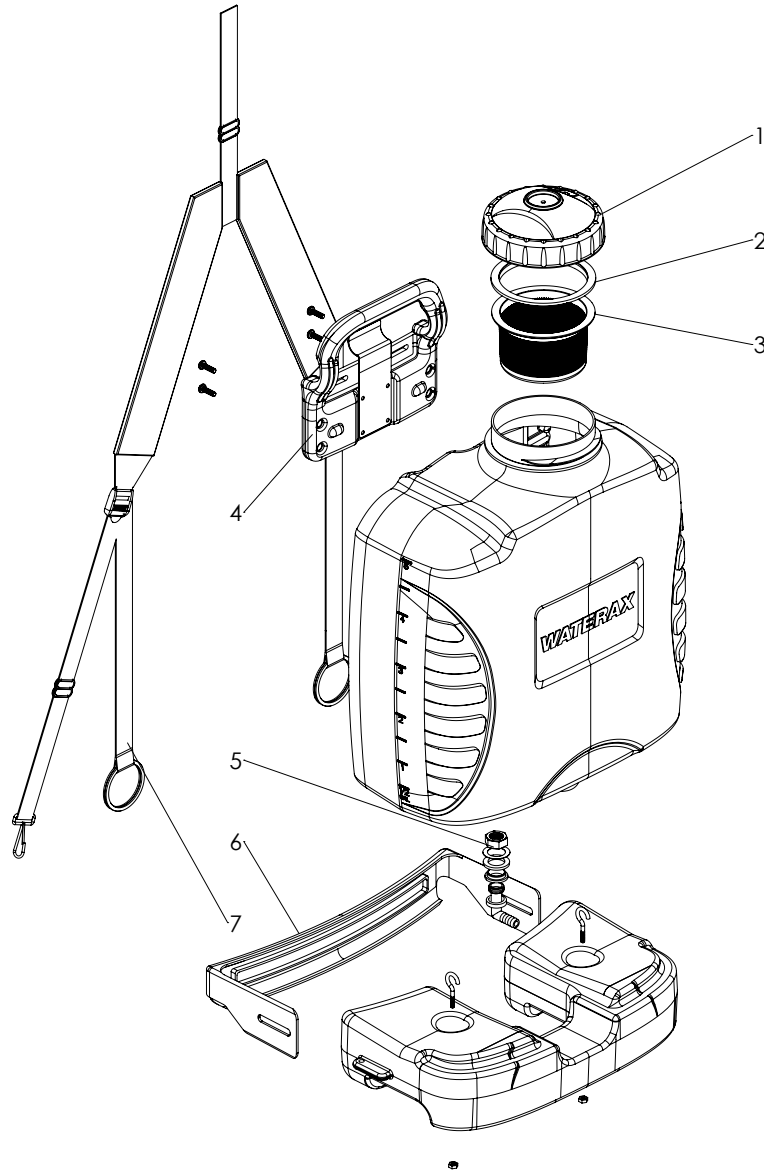
## RANCHER (CONTINUED)

ID	ITEM NO	DESCRIPTION	QTY
37	800713	BAJ-TF075 FLANGE 3/4" NPT FEMALE	1
38	800784	PART-158 STEEL BAND RNCH65	2
39	800395	FAST-570 NUT 3/8-16 HEX NYLON LOCK SS	4
40	700159	TANKRNCH65 TANK RANCHER 65 GAL	1
41	800430	F-4351-5 WASHER 3/8 FLAT SS	8
42	800346	FAST-526 SCREW 3/8-16X2-3/4 HEX CAP ZINC	4
43	800725	BAJ-TF150 FLANGE 1 1/2" NPT FEMALE	1
44	800735	BAJ-HB150-90 90 DEG HOSE BARB 1 1/2" MALE	1
45	801295*	HAN-F1816-17-18LT MANUAL HAND CRANK REEL RED	1
46	800560	FAST-520 SCREW 3/8-16X1 HEX CAP ZINC	6
47	800562	FAST-519 INSERT 3/8-16 PLAIN	4
48	700161	B-7604 PRE-DRILLED POLY BASE RNCH65	1
49	800347	FAST-527 SCREW M6X1.0X30 HEX CAP ZINC	4
50	800360	12-38 LOCKWASHER 1/4 SPLIT SS	4
51	100092	MINI-STRIKER MSTR-V FIRE PUMP 1-STG GXH50 VEHICLE	1
52	800445	FAST-735 SELF TAPPING SCREW #8X3/4 SQUARE FLAT SS	2
53	800810	PART-267 GRIPPER CLIPS 3/4" FULLY COATED	2
--	301059	4038-HF NOZZLE 1.5NPSH FOG/STR STREAM 50-100 GPM	1
--	301970	4091 DOUBLE MALE CONNECTOR 1.5NPSH X 1.5NPSH	1
--	302476	4076-34F REDUCER 1.5" NPSH FEMALE TO GHT FEMALE	1

\*50 Feet rubber hose not included (700167)

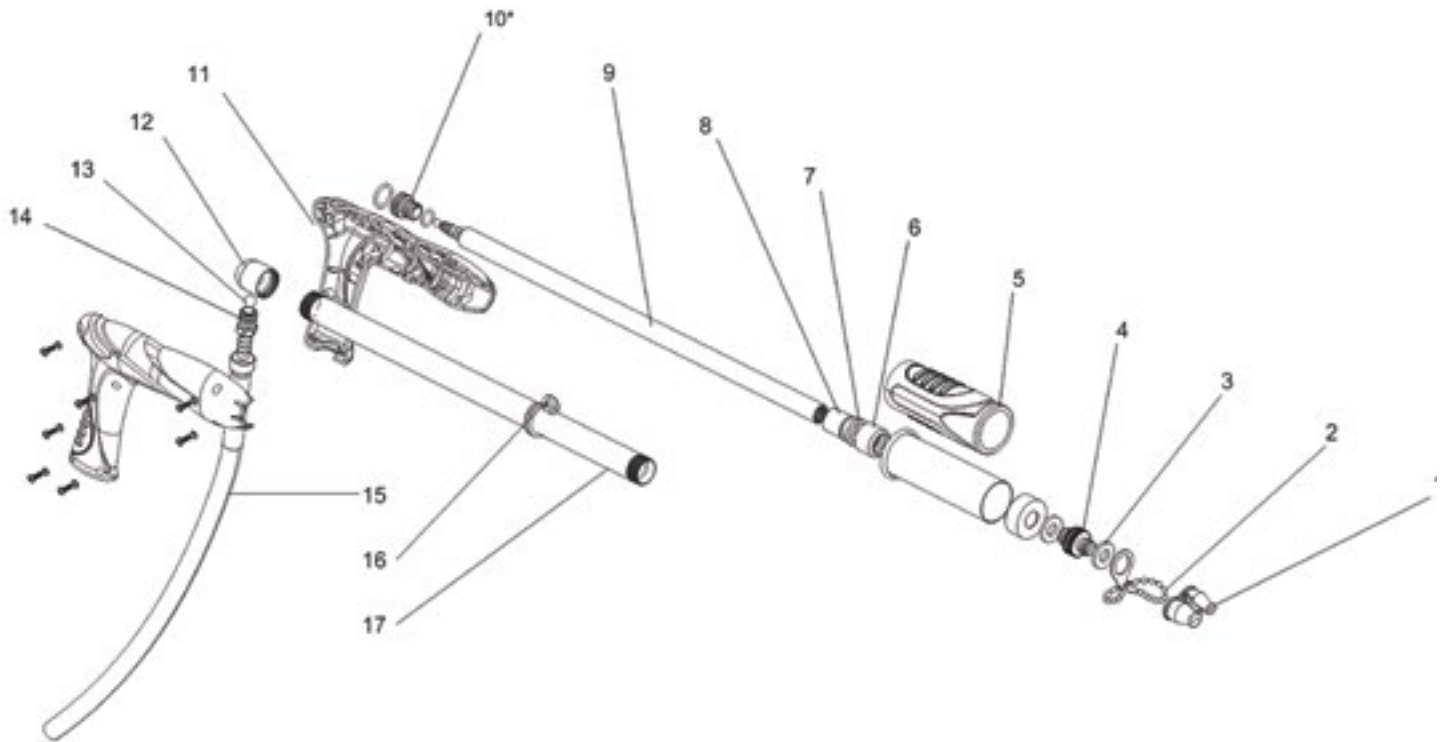


## OT-4NX



### OT-4NX - TANK

ID	ITEM NO	DESCRIPTION	QTY
1	701144	CAP ASSEMBLY FOR OT-4NX	1
2	701143	CAP GASKET FOR OT-4NX	1
3	701145	STRAINER BASKET FOR OT-4NX	1
4	701146	HANDLE ASSEMBLY FOR OT-4NX	1
5	701147	HOSE CONNECTOR KIT FOR OT-4NX	1
6	701151	LUMBAR SUPPORT FOR OT-4NX	1
7	701148	SHOULDER STRAP ASSEMBLY FOR OT-4NX	1

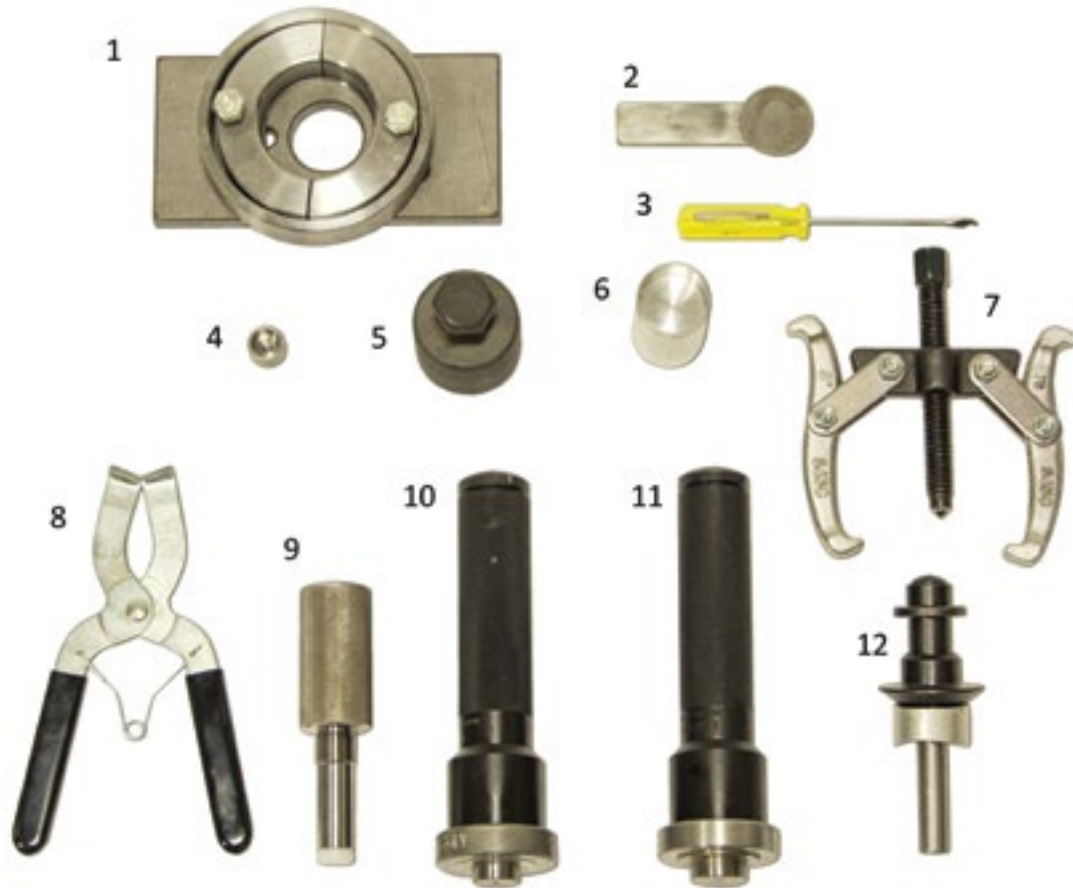


## OT-4NX - HAND PUMP

ID	ITEM NO	DESCRIPTION	QTY
-	250251	HPC-X WATERAX HAND PUMP WITH HOSE	-
1	701128	NOZZLE TIP FOR HPC-X	1
2	701141	NOZZLE CHAIN FOR HPC-X	1
3	701126	NOZZLE GASKET FOR HPC-X	2
4	701127	NOZZLE ADAPTOR FOR HPC-X	1
5	701129	HAND GRIP ASSEMBLY KIT FOR HPC-X	1
6	701132	BRASS CAP NUT FOR HPC-X	1
7	701133	FELT WIPER RING FOR HPC-X	1
8	701130	PLATIC BUSHING FOR HPC-X	1
9	701131	INSIDE CYLINDER FOR HPC-X	1
10*	701136	PISTON ASSEMBLY FOR HPC-X	1
11	701137	PISTOL GRIP ASSEMBLY KIT FOR HPC-X	1
12	701138	INLET CAP FOR HPC-X	1
13	701142	BALL STAINLESS STEEL FOR HPC-X	1
14	701139	CONNECTOR FOR HPC-X	1
15	701150	HOSE ASSEMBLY (INCLUDE 2 HOSE CLAMPS) FOR OT-4NX	1
16	701135	PUMP LOOP FOR HPC-X	1
17	701134	OUTSIDE CYLINDER FOR HPC-X	1

\* May need to replace on a regular basis during hand pump maintenance.

## TOOL KITS



## ENGINE TOOL KIT

ID	ITEM NO	DESCRIPTION	QTY
-	250286	R-952N TOOL KIT FOR MARK-3 ENGINE	-
1	600157	R-938 PULLER, CRANKSHAFT BEARING 1-PIECE	1
2	600164	R-953 CRANKSHAFT JACK	1
3	701352	CIRCLIP REMOVAL TOOL FOR 185CC	1
4	800080	R-928 PROTECTOR CAP, SHAFT 12MM	1
5	700723	R-927 PULLER - MAGNETO (M38 X 1.5)	1
6	600161	R-933 OIL SEAL - PRESSING TOOL	1
7	700707	R-932 PULLER, COLLAR COUPLING	1
8	701343	PISTON RING INSTALLER	1
9	701159	PISTON LOCKING TOOL FOR 185CC	1
10	701349	SEAL INSTALLER 20MM FOR 185CC	1
11	701350	SEAL INSTALLER 25MM FOR 185CC	1
12	701351	CIRCLIP INSTALLER TOOL FOR 185CC	1



## PUMP TEST KIT

The best way to verify the condition of your pump unit is to proceed with an actual performance test.

ID	ITEM NO	DESCRIPTION	QTY
-	250137	A-2388 PUMP TEST KIT	-
1	700555	A-2389 TOOL AND ACCESSORY BOX	1
2	700548	A-2395B CALIBRATED NOZZLE TIP 1/4"	1
3	700546	A-2395D CALIBRATED NOZZLE TIP 3/8"	1
4	600427	C-1933 NOZZLE 1-1/2"NPSH, ALU.	1
5	700545	A-2391 RUBBER HOSE ASSEMBLY 27" LG	1
6	700552	A-2391B ADP, FEM NPT - SWIVEL FEM	1
7	700560	A-2392 PRESSURE GAUGE (DRY) 0-400 PSI	1
8	600061	A-2390 PRESSURE GAUGE ADAPTOR 1-1/2" NPSH	1
9	400022	HOSE SPEC 187 1.5 NPSH X 10" CPLG AL	1

Nozzle Size	1/2" [12.7 mm]	3/8" [9.5 mm]	1/4" [6.4 MM]
Min. Pressure Range	100-105 psi 6.9-7.2 bar	165-170 psi 11.4-11.7 bar	255-260 psi 17.6-17.9 bar

Note: Performance can vary depending on test conditions.



## PUMP END TOOL KIT

ID	ITEM NO	DESCRIPTION	QTY
-	250125	A-2356 TOOL KIT FOR PUMP END XX-16	-
1	700588	A-5297 SUPPORT TOOL	1
2	600078	A-1887 ALUMINUM GUIDE FOR SHAFT INSTALL	1
3	600157	R-938 PULLER, CRANKSHAFT BEARING 1-PIECE	1
4	600175*	R-904L SPARK PLUG WRENCH C/W ROD	1
5	600079	A-1888 PULLER FOR SUCTION COVER, ALU.	1
6	600052	B-4084 PUMP BEARING PRESSING SLEEVE	1
7	700531	A-4329 PRESSING SLEEVE ROTARY SEAL	1
8	700532	A-4097 PROTECTOR SHAFT	1
9	700642	A-7711 SEAL REMOVAL PRESS TOOL, 12-28N	1
10	700090	A-7644 SEAL PULLER FOR 12-28NS	1
11	700540	A-1884 PRESSING SLEEVE DISTRIBUTOR	1
12	701345	PRESS PIN REMOVAL TOOL PUMP PARTS DIA .686	1
13	600077	A-1886 PRESS PIN REMOVAL TOOL PUMP PARTS DIA .925"	1

\*600175 contains 800084 (R-904) and 800082 (R-905)

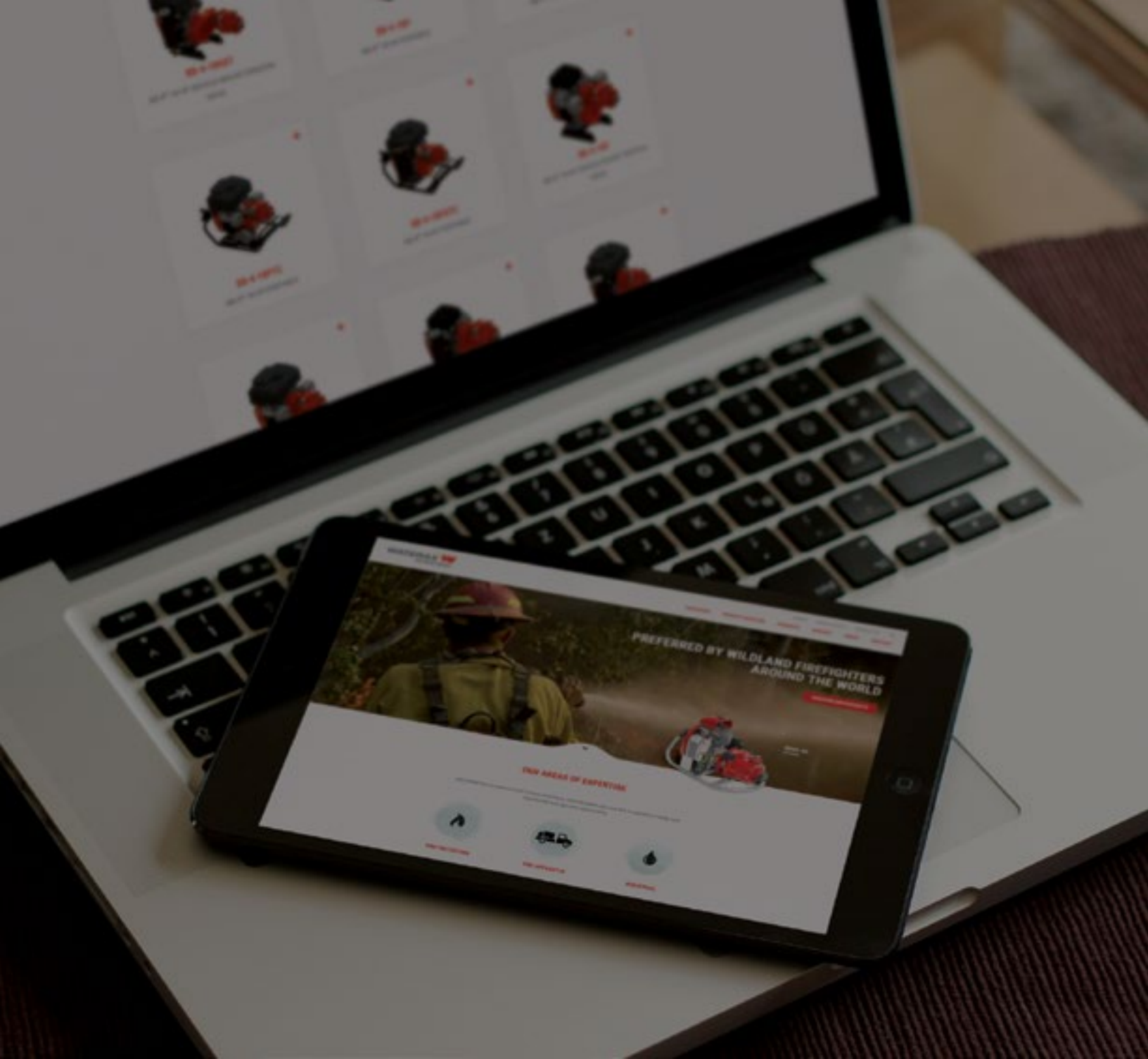




## PUMP TOOL KIT

ID	ITEM NO	DESCRIPTION	QTY
-	250158	R-900 TOOL KIT FOR MARK-3 PUMP	-
1	800081	R-908 WRENCH - OPEN END 5 & 8 MM	2
2	700541	A-3023 CARBURETTOR ADJUSTING TOOL	1
3	800492	R-902 SCREWDRIVER 1/8" BLADE	1
4	700539	271-928 6MM T-HANDLE HEX 10.5" LG	1
5	800084	R-904 WRENCH - SPARK PLUG	1
6	800082	R-905 HANDLE - ROD	1
7	700732	R-903 FEELER GAUGE 32 BLADES	1
8	800700	271-346 SCREWDRIVER FLAT 1/4" X 4"	1
9	700538	271-923 WRENCH - ADJUSTABLE 8"	1
10	700726	R-910 WRENCH - OPEN END 1/2" & 9/16"	1
11	600153	R-911M WRENCH, BOX & OPEN END 13MM	1
12	600160	R-906M WRENCH, BOX & OPEN END 10 MM	1
13	700537	271-488 TOOL ROLL BAG	1
-	700734*	PART-117 GREASE GUN U.S. STYLE	1

\* Grease gun not included in tool kit. Can be ordered separately.



Our revamped website [WWW.WATERAX.COM](http://WWW.WATERAX.COM) features a number of improvements designed to better serve your needs, including a comparative product selector which allows you to compare multiple products with ease and efficiency and to choose the pump that's a perfect fit for your needs. Compare product features, specifications and options to make the right purchase decision.

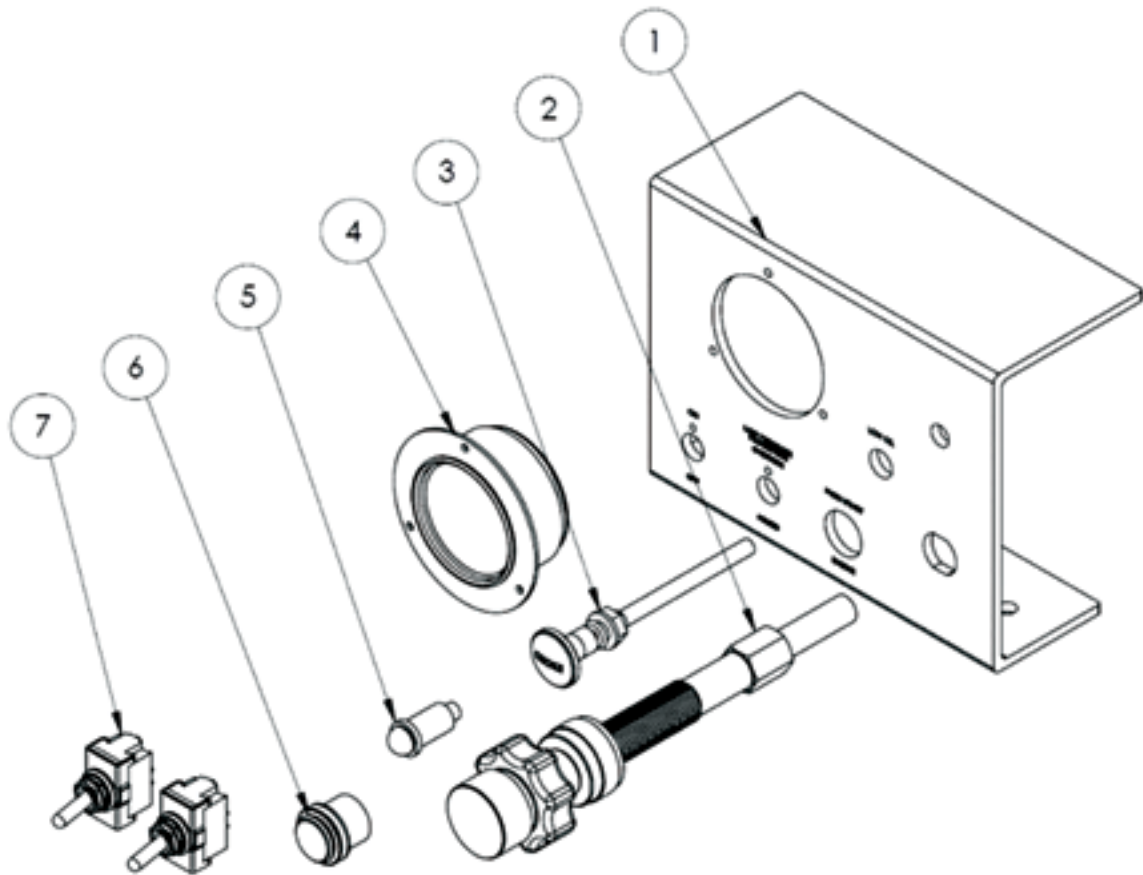
VISIT OUR WEBSITE AT [WATERAX.COM](http://WWW.WATERAX.COM)

**WATERAX**   
**WE MOVE WATER<sup>®</sup>**



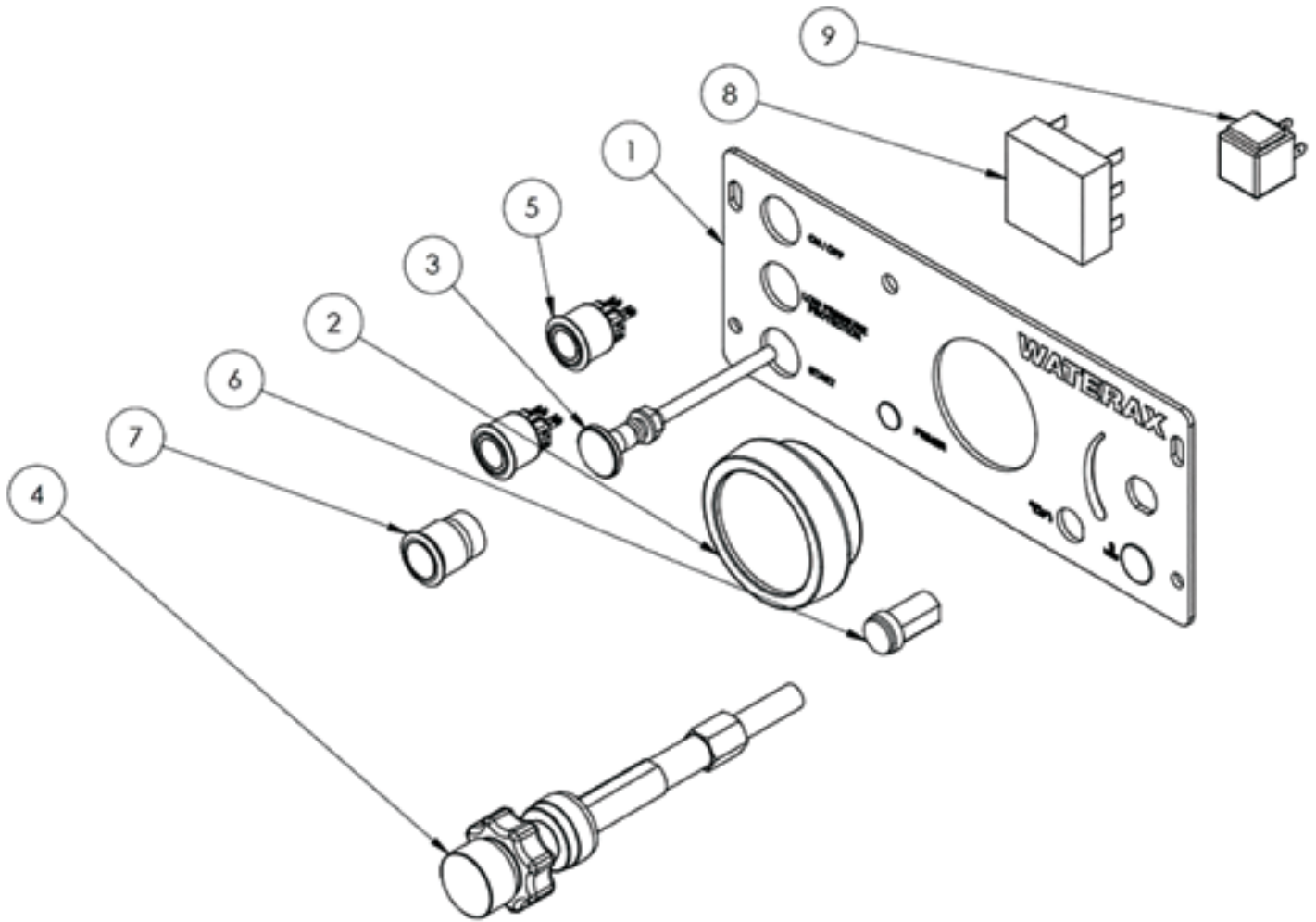


# ACCESSORIES



## MCP CONTROL PANEL

ID	ITEM NO	DESCRIPTION	QTY
--	250234	MCP MINI CTRL PNL W/FW CONN	--
1	700200	A-7686 MINI CONTROL PANEL FRAME	1
2	800673	PART-454 VERNIER THROTTLE CABLE (3100)	1
3	800745	PART-356 CHOKE CABLE	1
4	700034	PART-402 2-1/2" PRESSURE GAUGE 600PSI	1
5	800926	PART-455 RED LED INDICATOR 12V, .500"H	1
6	800924	PART-472 PUSH BUTTON DPST 4P,(ON)-OFF	1
7	800914	PART-378 SWITCH TOGGLE DPDT 20A ON-ON	2
--	800941	PART-422 LOCK RING 15/32" FOR TOGGLE SW	2
--	800942	PART-423 LOCK NUT 15/32" FOR TOGGLE SW	2
--	800372	FAST-557 SCREW #6-32X1/2 PHILLIPS PAN SS	3
--	800373	FAST-558 NUT #6-32 HEX NYLON LOCK SS	3
--	800890	PART-526 LOW PRESSURE CUTOUT SWITCH 7PSI	1
--	700775	A-7720 BRACKET VERNIER THROTTLE CABLE	1



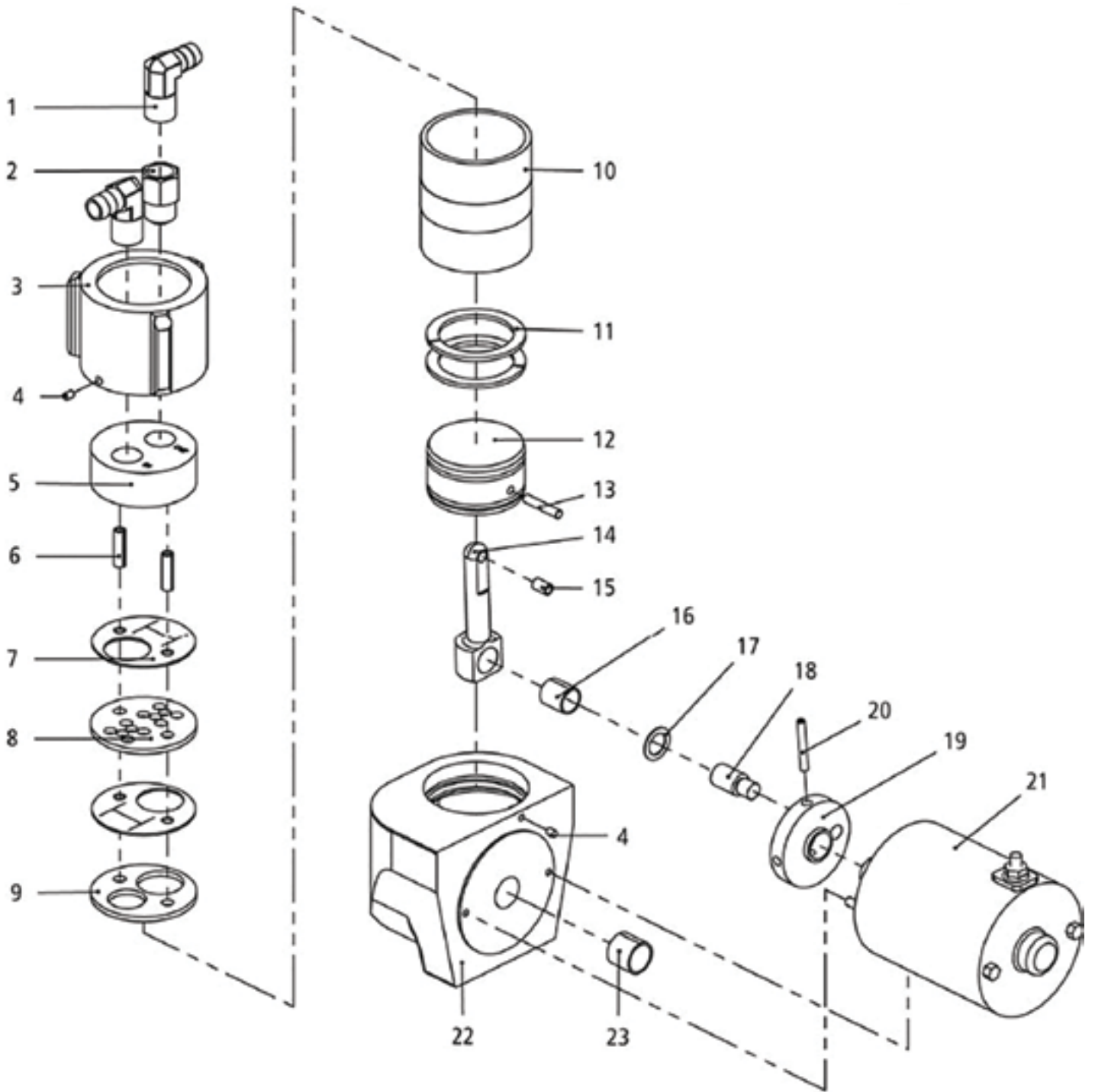


## PMSCP CONTROL PANEL

ID	ITEM NO	DESCRIPTION	PMSCP QTY	PMSCP-LPP QTY	PMSCP-DIESEL QTY
--	250268	PMSCP PANEL MOUNT STANDARD CONTROL PANEL	--		
--	250273	PMSCP-LPP CONTROL PANEL W/ LOW PRESS PROTECTION		--	
--	250278	PMSCP-DIESEL CONTROL PANEL W/ LOW PRESS PROTECTION			--
1	701189	PMSCP FRAME	1	1	1
2	701190	2-1/2" GAUGE LIQUID FILLED PANEL MOUNT	1	1	1
3	800745	PART-356 CHOKE CABLE	1	1	-
4	800673	PART-454 VERNIER THROTTLE CABLE (3100)	1	1	1
5	801141	SWITCH PUSH BUTTON 1" S/S GREEN LED 4PST 2A 12V	1	2	2
6	800900	PART-377 LED PNL MT 11/16" 12V WT RED	1	1	2
7	801142	SWITCH PUSH BUTTON 1" S/S MOM DPST 2A 36V	1	1	1
8	801237*	TIMER DELAY ON MAKE TYPE, Q1T	--	--	1
9	801236*	RELAY 5 POS. SPDT 12V	--	--	1
--	801215*	CONNECTOR MALE DELPHI GT150 14 PIN KIT	--	--	1
--	800890	PART-526 LOW PRESSURE CUTOUT SWITCH 7PSI	--	1	1
--	700775	A-7720 BRACKET VERNIER THROTTLE CABLE	1	1	-
--	800932	PART-496 PLUG HOUSING 8,MX150L	1	1	-

\*Available only for model PMSCP-DIESEL.



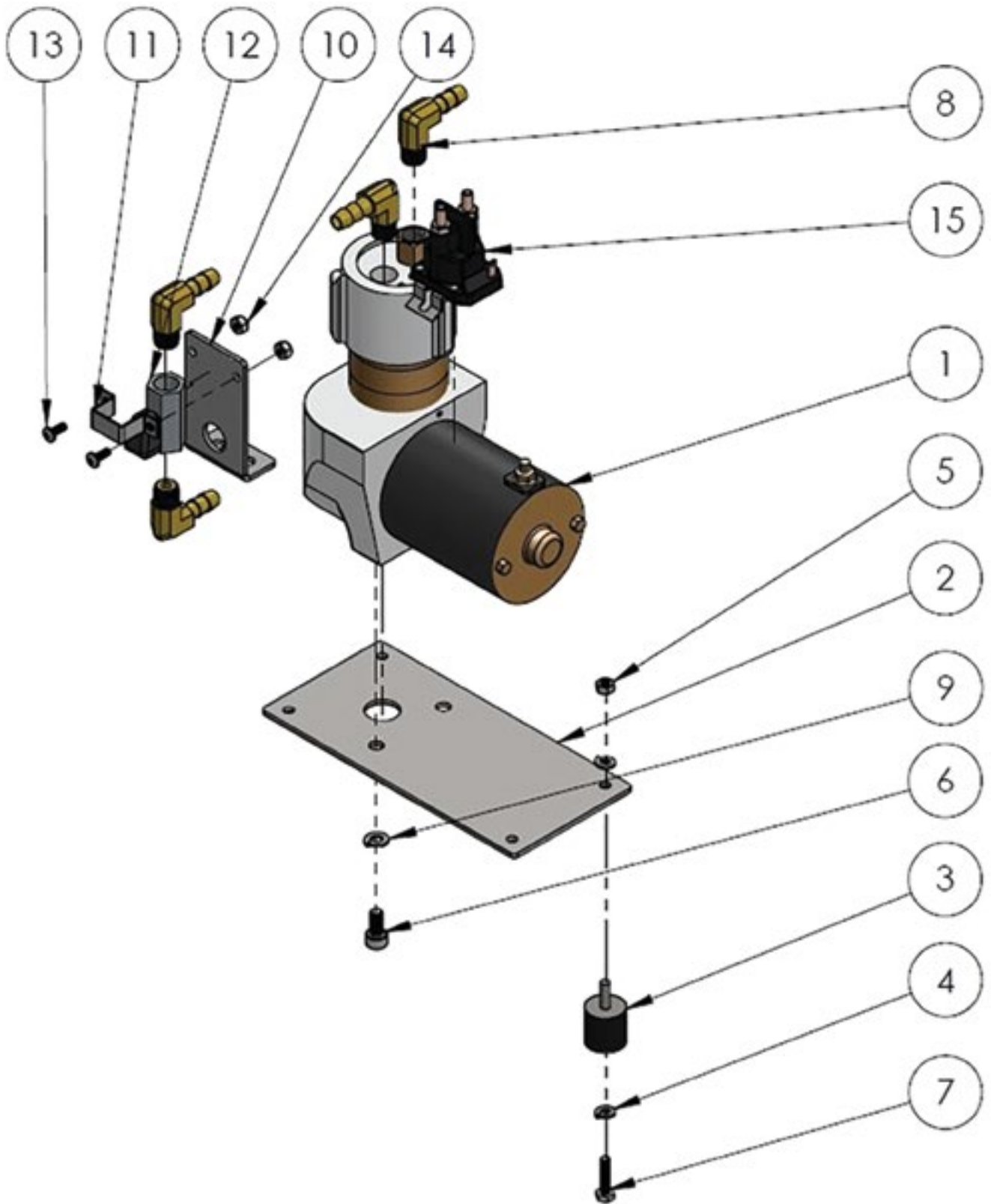




## B-7498 ELECTRIC PRIMER

ID	ITEM NO	DESCRIPTION	QTY
--	600067	B-7498 ELECTRIC PRIMER	--
1*	800703	PART-315 ELBOW BRB 3/8 TO MNPT 3/8, BR	2
2	700596	B-6601W-27 ADP 3/8" M. NPT TO 3/8" FEM NPT	1
3	700685	A-6604 NUT, B-7498	1
4	800396	B-6870-31 SET SCREW #10-24X3/16 HEX SOCKET SS	2
5	700687	A-6613 BLOCK CONNECTION	1
6	800362	12-18 COILED SPRING PIN 1/4" X 7/8"	2
7	700694	A-6617 DIAPHRAGM, B-7498	2
8	700611	A-6598 BLOCK VALVE, B-7498	1
9	700680	A-6605 RETAINING RING, B-7498	1
10	700667	A-7493 CYLINDER, B-7498	1
11	600354	A-7497 PISTON RING ACETAL (DELRIN) FOR B-7498	2
12	700657	A-7491 PISTON, B-7498	1
13	800481	FAST-714 DOWEL PIN 3/16" DIA X 1" LG, S/S	1
14	700656	A-7492 CONNECTING ROD, B-7498	1
15	700700	PART-95 BRONZE SLEEVE BEARING 3/16IDX1/4ODX3/8LG	1
16	700634	C-6600-23 BEARING BUSHING PLAIN SLEEVE 1/2"	1
17	800478	A-4643 WASHER 1/2"IDX3/4"ODX1/32"TH FLAT NYLON	1
18	700665	A-7495 PIN, B-7498	1
19	700679	A-7494 CRANK DISC, B-7498	1
20	800454	A-6640-8 TENSION PIN 3/16" DIA X 1-1/4" LGS	1
21	600418	B-7497 ELECTRIC PRIMER MOTOR MODIFIED	1
22	700624	C-6586 BODY, B-7498 (ELECT. PRIMER)	1
23	700595	B-6870-16 BEARING 5/8" DIA. X 5/8" LG	1
--	700932	A-6659 ELECTRIC PRIMER TERMINAL DECAL	1
--	701007	USER INST B-7498 ELECTRIC PRIMER	1

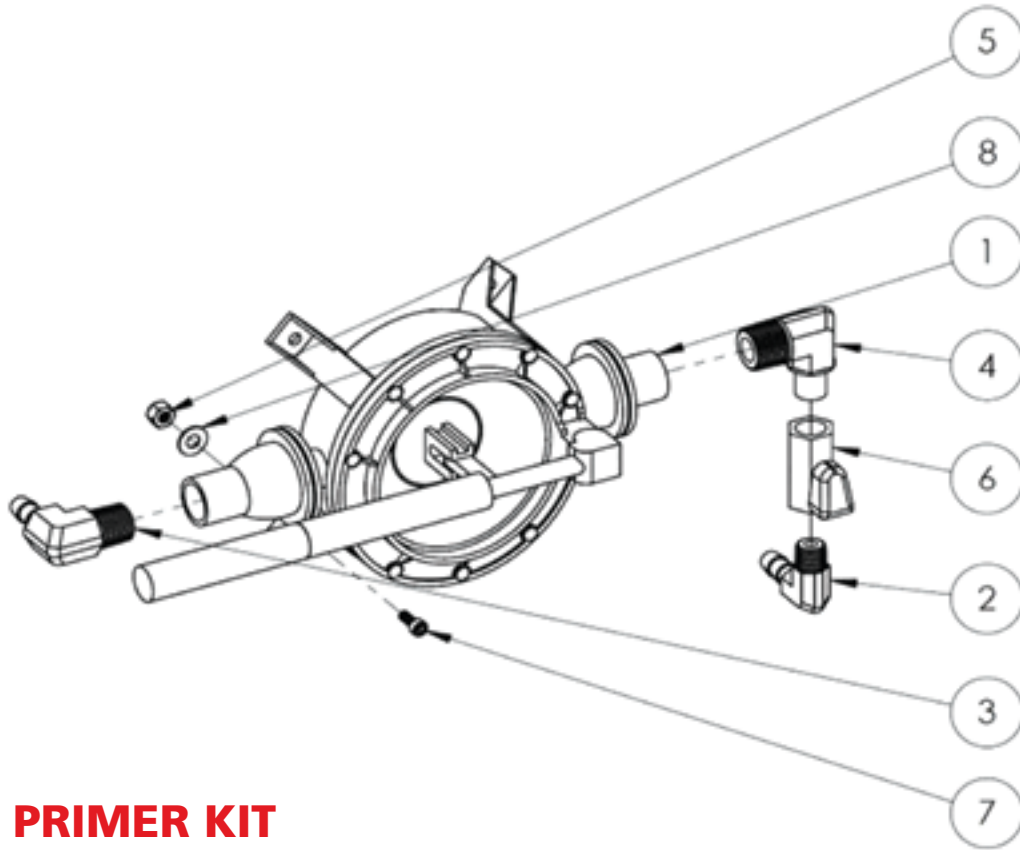
\* 1/2" elbow barb fittings (700526) can be purchased separately.





## ELECTRIC PRIMER KIT

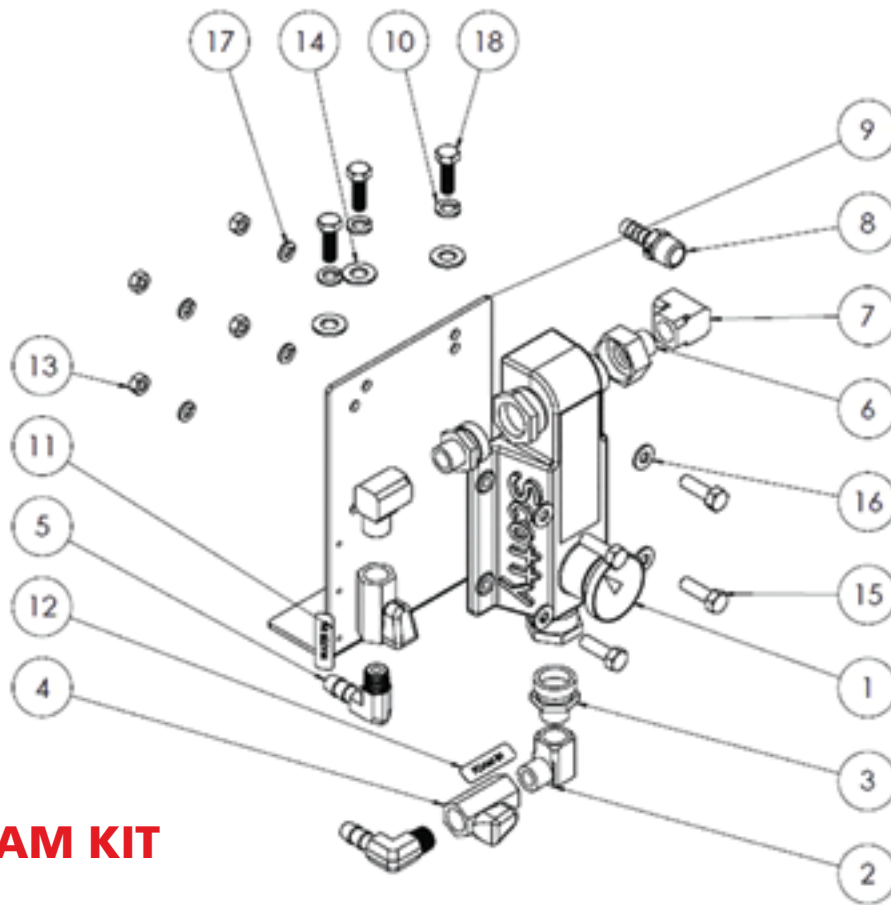
ID	ITEM NO	DESCRIPTION	QTY
--	250238	EPRIMERKIT ELECT PRMR W/CBL, SWITCH,PLM	--
1	600067	B-7498 ELECTRIC PRIMER	1
2	700264	A-7682 ELECTRIC PRIMER SUPPORT	1
3	800752	PART-310 ANTI-VIBRATION MOUNTS RNCH	4
4	800360	12-38 LOCKWASHER 1/4 SPLIT SS	8
5	800045	R-116 HEX NUT M6X 1.0	4
6	800336	FAST-746 SCREW M8X1.25X16 HEX SOCKET SS	2
7	800525	FAST-21 SCREW M6X1.0X25 HEX CAP ZINC	4
8	800703	PART-315 ELBOW BRB 3/8 TO MNPT 3/8, BR	4
9	800312	FAST-545 LOCKWASHER 5/16 SPLIT SS	2
10	700061	A-7690 BALL VALVE BRACKET EXHAUST PRIMER SKIDTANX	1
11	700062	A-7691 SQUARE CLAMP EXHAUST PRIMER SKIDTANX	1
12	800780	PART-348 VALVE BRASS MINI 3/8 NPT,WEDGE	1
13	700316	COR-1200-025 PAN HD SCREW #10-24 X1/2LG S/S	2
14	800421	FAST-732 NUT #10-24 HEX NYLON LOCK ZINC	2
15	800949	PART-446 RELAY 100A 12V WEATHER RESIST	1
--	600245	TRPD-CBL-EP CABLE FOR ELECTRIC PRIMER	1
--	800790	QHOSEPVC38 HOSE 3/8 ID,BRAIDED PVC	6
--	800317	FAST-537 WASHER 1/4 FLAT SS	2
--	800904	PART-381 SW TOGGLE, SPST, 15A, OFF-(ON)	1
--	800941	PART-422 LOCK RING 15/32" FOR TOGGLE SW	1
--	800942	PART-423 LOCK NUT 15/32" FOR TOGGLE SW	1
--	800947	PART-429 BINDING POST 3/8" RED	1
--	800921	PART-456 BATTERY BOOTS 8-2GA RED	1
--	800296	FAST-528 NUT 1/4-20 HEX NYLON LOCK SS	2
--	800389	PART-466 NUT 3/8-16 HEX LOW PROFILE BRASS	2
--	800344	PART-460 LOCKWASHER 3/8 SPLIT BRASS	2
--	800304	FAST-550 SCREW 5/16-18X3/4 HEX CAP SS	2
--	800749	PART-388 OETIKER DOUBLE EAR CLAMP .544" TO .669"	4
--	800380	PART-465 WASHER 3/8 X 7/8OD FLAT BRASS	2



## GUZZLER PRIMER KIT

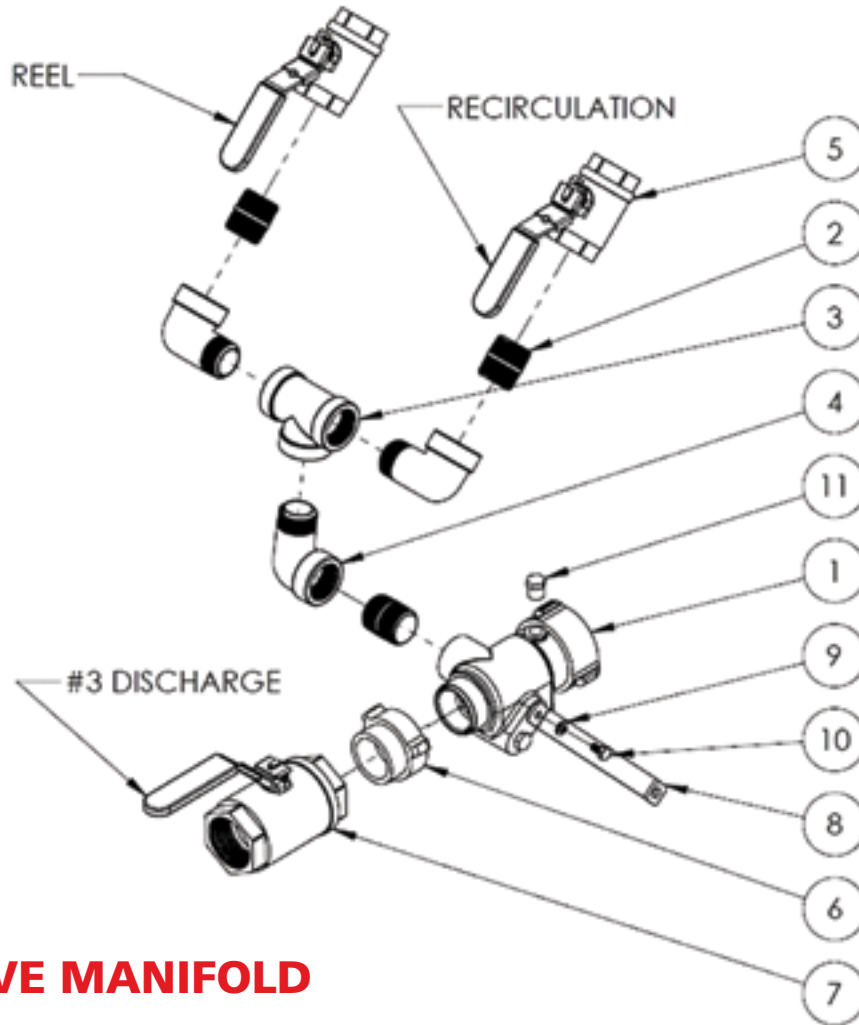
ID	ITEM NO	DESCRIPTION	QTY
--	250237	GZPRIMERKIT GZ HND PRMR W/PLUMBING	--
1	800737	BOS-400-H-1/2 GUZZLER HAND PRIMER,1/2 NPT	1
2	800703	PART-315 ELBOW BRB 3/8 TO MNPT 3/8, BR	1
3	800706	PART-316 ELBOW BRB 3/8 TO MNPT 1/2,BR	1
4	800707	PART-317 ELBOW MNPT 1/2 TO 3/8, BR	1
5	800419	C-6650-14 NUT 1/4-20 HEX NYLON LOCK ZINC	4
6	800780	PART-348 VALVE BRASS MINI 3/8 NPT,WEDGE	1
7	800309	FAST-542 SCREW 1/4-20X3/4 HEX SOCKET SS	4
8	800317	FAST-537 WASHER 1/4 FLAT SS	4
--	800749	PART-388 OETIKER DOUBLE EAR CLAMP .544" TO .669"	3
--	800790	QHOSEPVC38 HOSE 3/8 ID,BRAIDED PVC	6





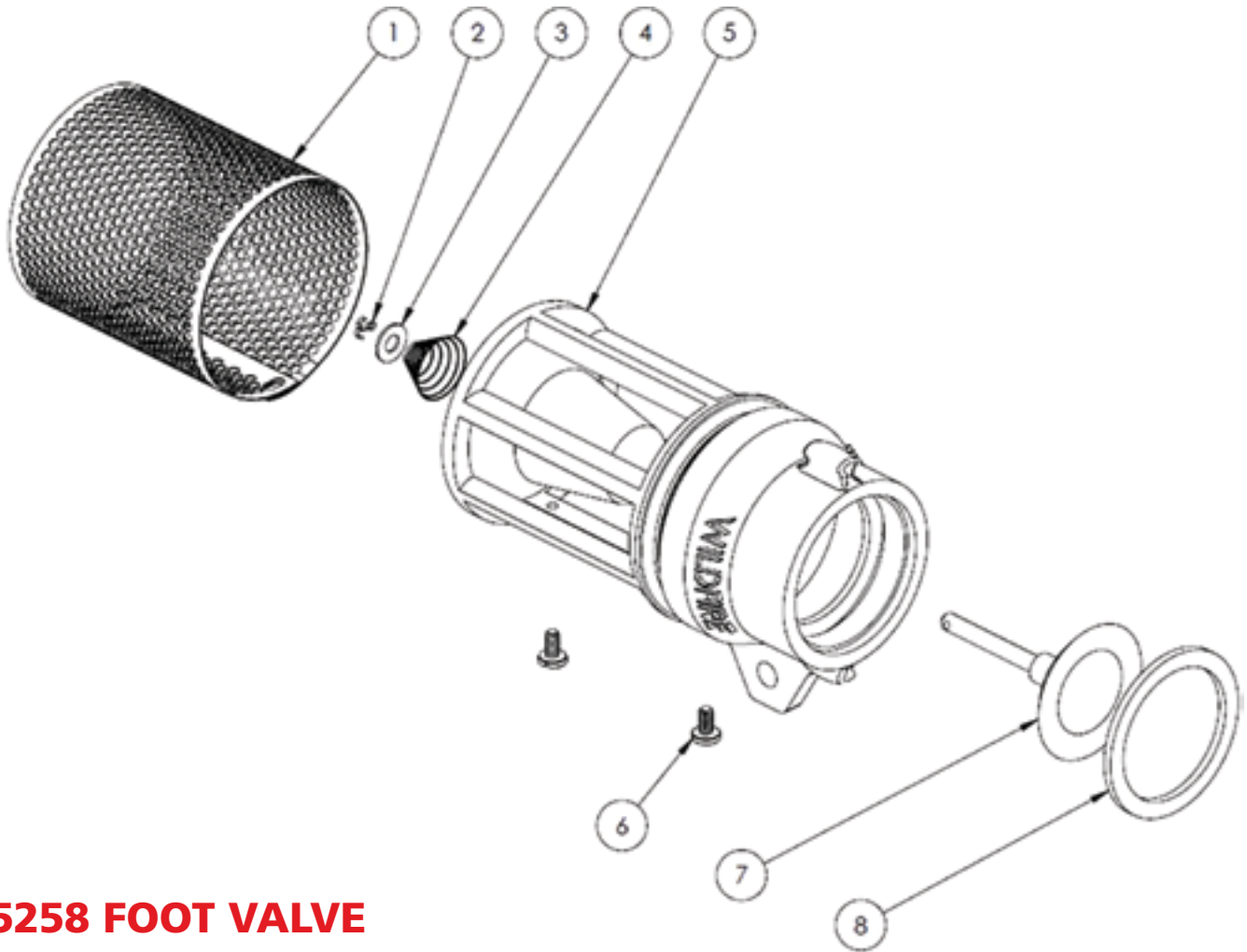
## SCOTTY FOAM KIT

ID	ITEM NO	DESCRIPTION	QTY
--	250266	FOAMKIT SCOTTY EDUCTOR W/ BRACKET & PLUMBING	--
1	301960	SCO-4171-NH EDUCTOR ONLY - NO HOSES (REPL 4071-NH)	1
2	800830	PART-133 ELBOW 90 DEG. 3/8NPT FEM TO M	2
3	800820	PART-166 COUPLER GHT M. TO 3/8NPT M.	2
4	800780	PART-348 VALVE BRASS MINI 3/8 NPT WEDGE	2
5	800703	PART-315 ELBOW BRB 3/8 TO MNPT 3/8 BR	2
6	800822	PART-148 ADP. 3/8NPTM TO GHT FEM SWIVEL	1
7	800821	PART-149 ELBOW 90 DEG. 3/8 NPT FEM	1
8	800704	PART-313 FITTING MNPT 3/8 TO BRB 3/8 BR	1
9	701180	FOAMCPKIT BRACKET FOR SCO-4171-NH & 4070 METERING	1
10	800312	FAST-545 LOCKWASHER 5/16 SPLIT SS	3
11	700937	DECAL-41 TRPD DECAL MINI VALVES (WATER)	1
12	700937	DECAL-41 TRPD DECAL MINI VALVES (FOAM)	1
13	800521	FAST-358 NUT 1/4-20 HEX NYLON LOCK ZINC	4
14	800303	FAST-536 WASHER 3/8 FLAT SS	3
15	800360	12-38 LOCKWASHER 1/4 SPLIT SS	4
16	800317	FAST-537 WASHER 1/4 FLAT SS	4
17	800311	FAST-544 LOCKWASHER 1/4 SPLIT SS	4
18	800385	FAST-561 SCREW 5/16-18X1 HEX CAP SS	3
-	701184	USER INST FOAMKIT FOAM KIT SCOTTY EDUCTOR	1



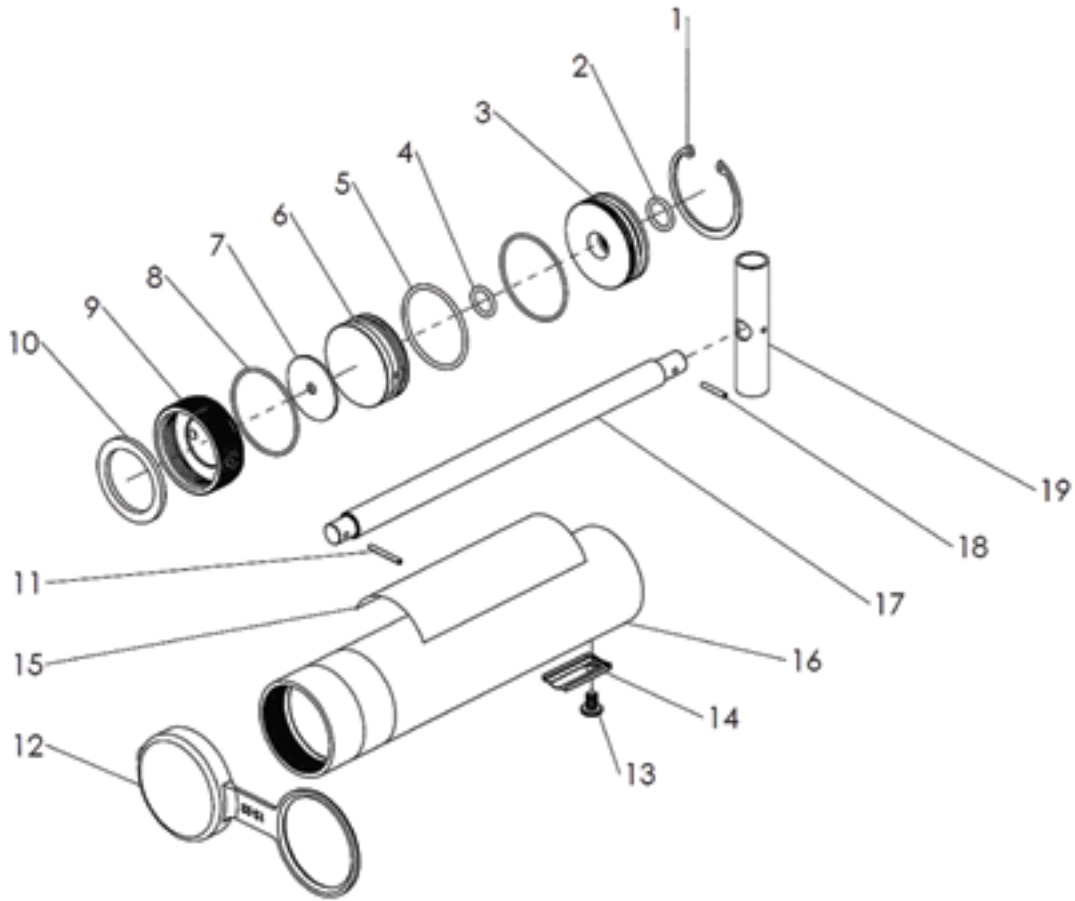
## CHECK VALVE MANIFOLD

ID	ITEM NO	DESCRIPTION	QTY
--	250265	CHCKVLV MNFLD-15 FOR HIGH PRESSURE PUMPS	--
1	600428	B-6365 CHECK VALVE ASSEMBLY 1-1/2"NPSH	1
2	800651	PART-485 1" CLOSE NIPPLE, S/S	3
3	800650	PART-486 TEE FEMALE NPT 1", S/S	1
4	800670	PART-450 STREET 90 DEG ELBOW 1" NPT SS	3
5	800781	PART-349 BALL VLV 1",DROPOUT,SS	2
6	300578	ADAPT 1.5 NPT M X 1.5 NPSH FEM RIG ALUM	1
7	800684	PART-350 BALL VLV 1.5",DROPOUT,S/S	1
8	700276	A-7713 SKIDTANX DISCHARGE BRACKET	1
9	800360	12-38 LOCKWASHER 1/4 SPLIT SS	1
10	800532	FAST-14 SCREW 1/4-20X1/2 HEX CAP ZINC	1
11	700614	B-6365-11 PLUG 1/4" NPT, BRASS	1
--	700171	PART-343 VALVE HANDLE SLEEVE FOR DISCHARGE	1
--	700176	PART-341 VALVE HANDLE SLEEVE FOR REEL	1
--	700174	PART-342 VALVE HANDLE SLEEVE FOR RECIRCULATION	1
--	701186	USER INST CHCKVLV MNFLD-15 CHECK VALVE MANIFOLD FOR HIGH PRESSURE PUMPS	1



## B-5258 FOOT VALVE

ID	ITEM NO	DESCRIPTION	QTY
--	250151	B-5258 FOOT VALVE AND STRAINER 2"	--
1	700587	A-5261 SCREEN	1
2	800414	C-4462-6 COTTER PIN 1/16"DIA X1/2"LG,SS	1
3	800464	B-2561-8 FLAT WASHER	1
4	700557	A-2299 POPPET VALVE SPRING	1
5	700610	B-5260 BODY, B-5258 (FOOTVALVE)	1
6	800563	FAST-6 SCREW #10-24X3/8 PHILLIPS BINDING SS	2
7	600355	B-2416 POPPET FOR 2" FOOTVALVE	1
8	700706	MK-138 GASKET FOR 2" ADPS	1



## B-5980NH HAND PRIMER

ID	ITEM NO	DESCRIPTION	QTY
-	250219	B-5980NH HAND PRIMER 1 1/2" NH, ALUMINUM	-
1	800404	B-5980-2 RETAINING RING INTERNAL 2-1/8"	1
2	700620	B-5980-8 O-RING	1
3	700502	A-5980 PVC CAP B-5980	1
4	700645	C-2486-16 O-RING, USE ON B-5980	1
5	700619	B-5980-3 O-RING	1
6	700505	A-5977 PISTON, B-5980	1
7	700506	A-5982 PRIMER - VALVE SEAL	1
8	700618	B-5980-13 O-RING, USE ON B-5980	2
9	700666	A-7528 VALVE BODY NH FEMALE, B-5980NH	1
10	700443	COR-G-150 GASKET 1-9/16IDX2-1/16ODX1/8TH NEOPR 60D	1
11	800453	A-5978-3 SPRING TENSION PIN	1
12	700022	A-5537 PROTECTIVE CAP FOR 2" SUCTION	1
13	800338	D-5269-6 SCREW 1/4-20X3/8 PHILLIPS PAN SS	1
14	600407	A-5974 WATER SHIELD FOR B-5980, S.S.	1
15	700983	A-6197 DECAL, "HAND PRIMER" (ENGLISH)	1
16	700621	B-5982 CYLINDER, B-5980	1
17	700508	A-5979 PRIMER SHAFT, B-5980	1
18	800319	A-3023-1 TENSION PIN	1





# WATERAX LIMITED WARRANTY

---

WHEREAS subject to the following general and specific terms and conditions, *WATERAX* Inc. (the "Seller") hereby warrants (the "Purchaser") that its products, including any pump parts products manufactured by *WATERAX* (the "Products") sold under *WATERAX* Inc. brands will be free of defects in material and workmanship for the applicable Warranty Period (as set out at section 2); The general terms and conditions applicable for all Products are set forth under section 1. the specific terms and conditions applicable for all Products, including Warranty Periods and Warranty Coverage, are set forth in the table under section 2;

## General terms and conditions

The following limitations, exclusions, procedures and other terms and conditions shall apply for all Products:

### 1. The Warranty shall be voided upon the occurrence of any of the following events:

- a. The Product is used for an application, with products or in a manner other than the application, products and manner for which such Product is designed and intended;
- b. The Product is subjected to a use, service, condition or environment other than a use, service, condition or environment for which such Product is designed and intended;
- c. The Product is not properly installed by the Purchaser or its agent or representative;
- d. The Product is not properly tested and maintained in accordance with Seller's product manuals and supplemental instructions and guidelines as set out in full at [www.waterax.com/eng/warranty](http://www.waterax.com/eng/warranty), applicable industry standards and guidelines, and applicable legal and regulatory requirements;
- e. The Product is altered, modified, serviced (with the exception of routine maintenance performed in accordance with the Seller's product manuals and supplemental instructions, and industry accepted standards and guidelines), or repaired by a person other than the Seller or a person authorized by the Seller to make such alteration or modification or perform such service or repair;
- f. The Seller is not paid the full amount of the purchase price for the Product when due;
- g. Any bad faith invocation of a warranty claim or breach of a purchase agreement by the Purchaser.

### 2. The following are excluded from Warranty coverage:

- a. Non-defective parts worn, exhausted or consumed through normal usage of the Product;
- b. Any consumable parts normally subject to routine replacement, including but not limited to pump packing, O-rings, gaskets, intake screens, anodes or filters;
- c. Routine maintenance as specified and in accordance with the Seller's product manuals and supplemental instructions and guidelines as set out in full at [www.waterax.com/eng/warranty](http://www.waterax.com/eng/warranty);
- d. Failure due to compliance with a specification or design provided or required by Purchaser;
- e. Failure due to improper operation, excess pressure, excess voltage, abuse, misuse, negligence or accidents or other similar causes;
- f. Failure due to operator error;
- g. Damage during or after shipment and failure attributable thereto or resulting there from;
- h. Failure attributable to or resulting from the failure or substandard, inadequate or improper performance of any part, component or equipment not supplied by the Seller;
- i. Failure attributable to or resulting from the failure or substandard, inadequate or improper performance of any third party part, component, product or equipment, whether or not combined, packaged, incorporated, installed or used with a Seller brand part, component, product or equipment.

### 3. Claim Notice and Claim Documentation:

- a. The Seller shall have no obligation under this Warranty unless the Purchaser promptly notifies the Seller in writing (a "Claim Notice") within the Warranty Period of any claim under this Warranty;
- b. Claim Notices must identify the Product claimed to be defective (including the serial number if applicable) and describe in reasonable detail the circumstances surrounding the failure;
- c. The Purchaser shall also complete and comply with the Seller's Returned Material's Authorization ("RMA") form and procedures. The Purchaser shall request such form in the Claim Notice;
- d. The Purchaser shall provide documentation in support of its claim as the Seller may reasonably request. Such documentation may include, but is not limited to, in service dates, run hours and service and repair records;



**4. Claim Procedure:**

- a. Upon the reception of a Claim Notice, the Seller shall have the right to physically inspect the Product claimed to be defective;
- b. If requested by the Seller, the Purchaser shall deliver the Product claimed to be defective to the Seller at its manufacturing facility or to any other party or location designated by the Seller;
- c. The Product must be delivered to the Seller within 30 days of issuance of the RMA;
- d. The RMA number must be included with the Product when delivered to the Seller;
- e. Failure to make timely delivery to the Seller of the Product claimed to be defective shall void this Warranty;
- f. The Purchaser or its customer shall be responsible for all freight and shipping charges in connection with the delivery of the Product claimed to be defective to the Seller and the delivery of repaired or replacement Product or parts to the Purchaser;
- g. The Product claimed to be defective must be shipped by the Purchaser freight prepaid;
- h. Repaired and replacement Product and parts thereof will be shipped to the Purchaser freight collect;
- i. The Purchaser shall bear all risk of loss or damage during shipment.

**5. Repaired and Replacement Product:**

- a. If requested to do so by the Purchaser, the Seller may, at its sole option and in its sole discretion, supply a replacement Product or part to the Purchaser prior to making a final determination as to whether Warranty Coverage is available;
- b. If the Seller ultimately determines that no Warranty Coverage is available for a Product claimed to be defective, the Purchaser shall have the option of either:
  - i. Having the Product returned to it freight collect, without repair or replacement, or;
  - ii. If Seller determines that the Product is repairable, have the Product repaired by Seller or another party designated by it on a time and materials basis at Seller’s then current standard charges for non-warranty repairs and then returned to Purchaser freight collect.
- c. The Seller reserves the right to use reconditioned parts for Warranty repairs and to use reconditioned Products for Warranty replacements;
- d. Repaired Product and replacement Product shall be warranted only for the remainder of the original Warranty Period.

**6. Limits of Liability:**

Seller’s warranty as set forth herein is seller’s sole and exclusive warranty and is in lieu of all other warranties, express or implied, including, but not limited to, all warranties of merchantability, quality, course of dealing, usage of trade, fitness for a particular purpose and non-infringement. The rights and remedies set forth herein are the sole and exclusive rights and remedies against seller, except for the specific liabilities and obligations provided herein, seller shall have no liability or obligation with respect to any product claimed to be defective in any manner.

**Product specific warranty terms and conditions**

Product <sup>1</sup>	Warranty Period	Coverage <sup>2</sup>
4-Stroke Powered Portable Pumps	Two (2) years from date of shipment of Product to original Purchaser	Repair or replacement of Product that Seller determines failed during Warranty period due to a defect in material or workmanship. Seller offers no warranty with respect to engines. Any warranty with respect to engines is limited to whatever warranty may be provided by the engine manufacturer.
2-Stroke Powered Portable Pumps	Earlier of one (1) year from date of shipment of Product to original Purchaser or One hundred (100) run hours	Repair or replacement of Product that Seller determines failed during the Warranty period due to a defect in material or workmanship.
Backpack Pumps	One (1) Year from date of shipment of Product to original Purchaser	Repair or replacement of Product that Seller determines failed during the Warranty period due to a defect in material or workmanship.
Skid Units	One (1) Year from date of shipment of Product to original Purchaser	Repair or replacement of Product that Seller determines failed during the Warranty period due to a defect in material or workmanship. Seller makes no warranty with respect tank and plumbing accessories. Any such warranty with respect to tanks and plumbing accessories is limited to the warranty coverage, if any, provided by the respective manufacturer.
Control Panels, Electronics, Manifolds	Two (2) years from date of shipment of Product to original Purchaser	Repair or replacement of Product that Seller determines failed during the Warranty period due to a defect in material or workmanship.
Genuine Parts	Ninety (90) days commencing on the date when Product is first placed in service.	Repair or replacement of Product that Seller determines failed during the Warranty period due to a defect in material or workmanship.

<sup>1</sup> When Products are combined to form a module or package, each Product will have its own separate Warranty Period and Warranty Coverage.

<sup>2</sup> For each Product, Seller will have the option to refund to Purchaser (in cash or by credit) the purchase price that Seller was paid for such Product, less depreciation determined on a straight line basis over the Warranty Period, in lieu of repair or replacement (including, when applicable, labor). The decision whether to repair, replace or refund (and, if there is a refund, whether to refund in cash or by credit) shall be made by Seller in its sole discretion.



## TERMS AND CONDITIONS OF SALE

### ORDER BY PHONE, FAX, MAIL OR EMAIL

*WATERAX* strives to make ordering as simple as possible. A toll free phone call to your local sales representative is all it requires. When you call, you'll speak to a highly trained and experienced sales representative who will quickly and accurately process your order right over the phone. We will gladly process all orders faxed, mailed or e-mailed.

### Prices

All prices are subject to change without notice. Feel free to call, fax, e-mail or write to our sales personnel for current pricing information. All prices are FOB *WATERAX's* warehouse/shipping point (Incoterms 2000 revision) unless specifically quoted otherwise.

### International Sale of Goods Convention

Please note that we expressly exclude the application of the United Nations Convention on Contracts for the International Sale of Goods, whose terms therefore do not apply to any sales made to you by us.

### Payment Terms

Net 30 days, subject to credit approval. Past due amounts are subject to late payment charge of 1.5% per 30 days (being 18% on an annual basis), or service charge at the maximum rate allowed by applicable state or provincial law. Charges (including reasonable solicitor and other out of pocket costs) incurred in the collection of invoices owed will be the sole responsibility of the buyer.

### Minimum Charge

We will be pleased to accept all orders. Due to the cost of handling an order, a \$45.00 service charge, plus any applicable taxes and/or transportation charges, will apply to all orders of less than \$250.00. The minimum order will be waived if merchandise is purchased on credit card.

### Credit Card Payment

*WATERAX* accepts payment by credit card (Visa or MasterCard) up to a maximum of \$25,000 per order. A surcharge of 3.5% will apply to any credit card charge over \$25,000. Maximum amount per credit card transaction is \$50,000.

### Delivery

We strive to maintain an extensive inventory to service your needs. Every effort will be made to ship in a timely manner. Notwithstanding anything to the contrary set forth in any purchase order or distributor agreement, passage of title and risk of loss will transfer to the buyer from *WATERAX* upon shipment from any designated *WATERAX* warehouse or supplier location, unless otherwise explicitly agreed upon by *WATERAX* and the buyer in writing for a specific shipment (in which case such exception only applies to the particular shipment in question and not any subsequent shipments).

Shipments will be made freight prepaid with shipping and freight charges added to the invoice unless buyer freight account number is provided. We may make partial shipments and each shipment may be treated separately for purposes of invoicing. Our count and weight taken at the shipping point shall govern. Please note that delivery schedules are approximate and not guaranteed. We assume no responsibility for any delays in delivery.

### Shortages or Damaged Merchandise

Any shortage, damage or error in shipment should be reported to us immediately upon receipt of good and at the latest within 10 days after delivery. All packages should be carefully inspected for visible damage prior to acceptance from the carrier and delivery refused or damage noted when signing for receipt of packages.

### Returned Goods

Please contact our customer service department with full details concerning the return of any goods and the issuance of a Return Goods Authorization number (RGA). Returned Goods will not be accepted without a valid RGA number. Material returned for reasons other than defective replacement will carry a handling and restocking charge equal to 20% of the invoice price of such merchandise. Material must be in new and original condition subject to inspection, and returned freight prepaid.

Note: all special orders, being non-stocked items purchased on special order are to be considered non-cancellable and non-returnable. Such sales are therefore final.





# WATERAX®



**MARK-3®**  
Portable

Trusted by wildland firefighters around the world, **WATERAX** sets the industry standard by developing innovative, portable fire pumps and water-handling equipment designed to withstand demanding applications and rugged environments. With a time-tested legacy of reliability, **WATERAX** carries on its mission to place powerful, precision engineered pumps into the hands of the men and women who protect our lives and property.

Benchmarks in the wildland firefighting community, our trustworthy MARK-3® and BB-4® centrifugal fire pumps have been top sellers and established leaders for generations. Many pumps sold decades ago are still in operation today, and are maintained with genuine spare parts.

We've got your back.

A product is only as good as the service behind it. At **WATERAX**, we back our quality products with steadfast service. Trust us to be there when you need us.

Quality. Reliability. Trust. Our pumps are as tested and proven as the men and women who use them every day.

Find the right pump for your needs!  
[www.waterax.com](http://www.waterax.com)

**WATERAX**   
**WE MOVE WATER®**





**WATERAX Corp.**  
14010 NE 3rd Court, Suite 105  
Vancouver, WA 98685

**WATERAX INC.**  
6635 Henri-Bourassa W.  
Montreal, QC H4R 1E1

**T** 360-574-1818  
**F** 360-571-0443

**T** 514-637-1818  
**F** 514-637-3985

**TF** 1-800-426-5207  
**TF** 1-855-616-1818  
[www.waterax.com](http://www.waterax.com)  
[info@waterax.com](mailto:info@waterax.com)